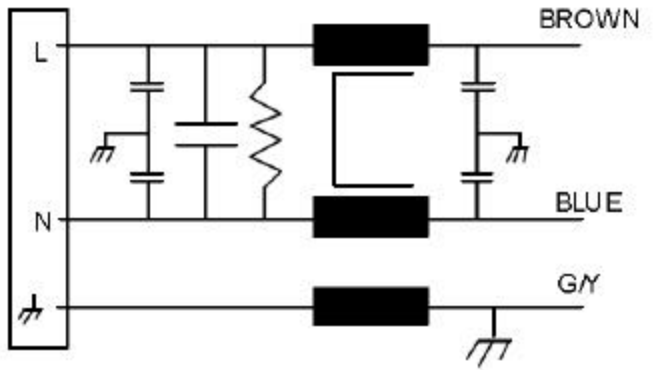


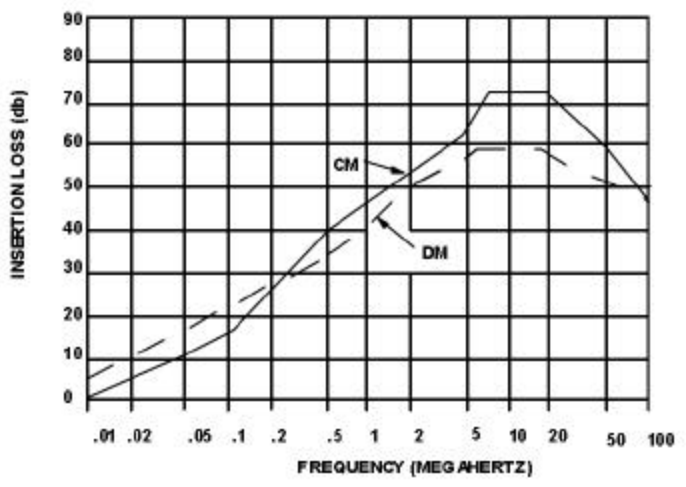


EF-0926-20

The 926 filter is a compact, single phase, high current device with very good common mode and differential mode insertion loss. It is useful in power control sections where the ground coil will help eliminate system ground loop noise. The package features the 16 amp IEC connector which facilitates the use of a detachable cord set. The "thru" bulkhead mounting provides the ultimate in RF noise suppression. Other configurations are also available.



Operating Voltage = 115 / 250 V~
Operating Current = 20 A / 115 V~, 16 A / 250 V~
Operating Frequency = 50 / 60 Hz
Temperature Range = -20 To 50 Deg. C
Diel. Withstd (L-Case) = 1500 V~ For 1 Min.
Diel. Withstd (L-L) = 1500 Vdc For 1 Min.
Leakage Current = 1.5Ma At 250 V~, 60 Hz
Discharge Volts After 1 Sec = 34 V Max.



Ordering Information
With Ring Terminals: EF-0926-20
Without Ring Terminals: EF-0926-20S

