

## Features

- High-performance, Low-power AVR 8/16-bit XMEGA™ Microcontroller
- Non-volatile Program and Data Memories
  - 256 KB of In-System Self-Programmable Flash
  - 8 KB Boot Code Section with Independent Lock Bits
  - 4 KB EEPROM
  - 16 KB Internal SRAM
- Peripheral Features
  - Four-channel DMA Controller with support for external requests
  - Eight-channel Event System
  - Seven 16-bit Timer/Counters
    - Four Timer/Counters with 4 Output Compare or Input Capture channels
    - Three Timer/Counters with 2 Output Compare or Input Capture channels
    - High-Resolution Extension on all Timer/Counters
    - Advanced Waveform Extension on one Timer/Counter
  - Six USARTs
    - IrDA modulation/demodulation for one USART
  - Two Two-Wire Interfaces with dual address match (I<sup>2</sup>C and SMBus compatible)
  - Two SPI (Serial Peripheral Interface) peripherals
  - AES and DES Crypto Engine
  - 32-bit Real Time Counter with separate Oscillator and Battery Backup System
  - Two Eight-channel, 12-bit, 2 Msps Analog to Digital Converters
  - One Two-channel, 12-bit, 1 Msps Digital to Analog Converters
  - Four Analog Comparators with Window compare function
  - External Interrupts on all General Purpose I/O pins
  - Programmable Watchdog Timer with Separate On-chip Ultra Low Power Oscillator
- Special Microcontroller Features
  - Power-on Reset and Programmable Brown-out Detection
  - Internal and External Clock Options with PLL
  - Programmable Multi-level Interrupt Controller
  - Sleep Modes: Idle, Power-down, Standby, Power-save, Extended Standby
  - Advanced Programming, Test and Debugging Interfaces
    - JTAG (IEEE 1149.1 Compliant) Interface for test, debug and programming
    - PDI (Program and Debug Interface) for programming and debugging
- I/O and Packages
  - 49 Programmable I/O Lines
  - 64-lead TQFP
  - 64-pad QFN/MLF
- Operating Voltage
  - 1.6 – 3.6V
- Speed performance
  - 0 – 12 MHz @ 1.6 – 3.6V
  - 0 – 32 MHz @ 2.7 – 3.6V

## Typical Applications

- Industrial control
- Climate control
- Hand-held battery applications
- Factory automation
- ZigBee
- Power tools
- Building control
- Motor control
- HVAC
- Board control
- Networking
- Metering
- White Goods
- Optical
- Medical Applications



## 8/16-bit AVR<sup>®</sup> XMEGA A3B Microcontroller

ATxmega256A3B

Preliminary



## 1. Ordering Information

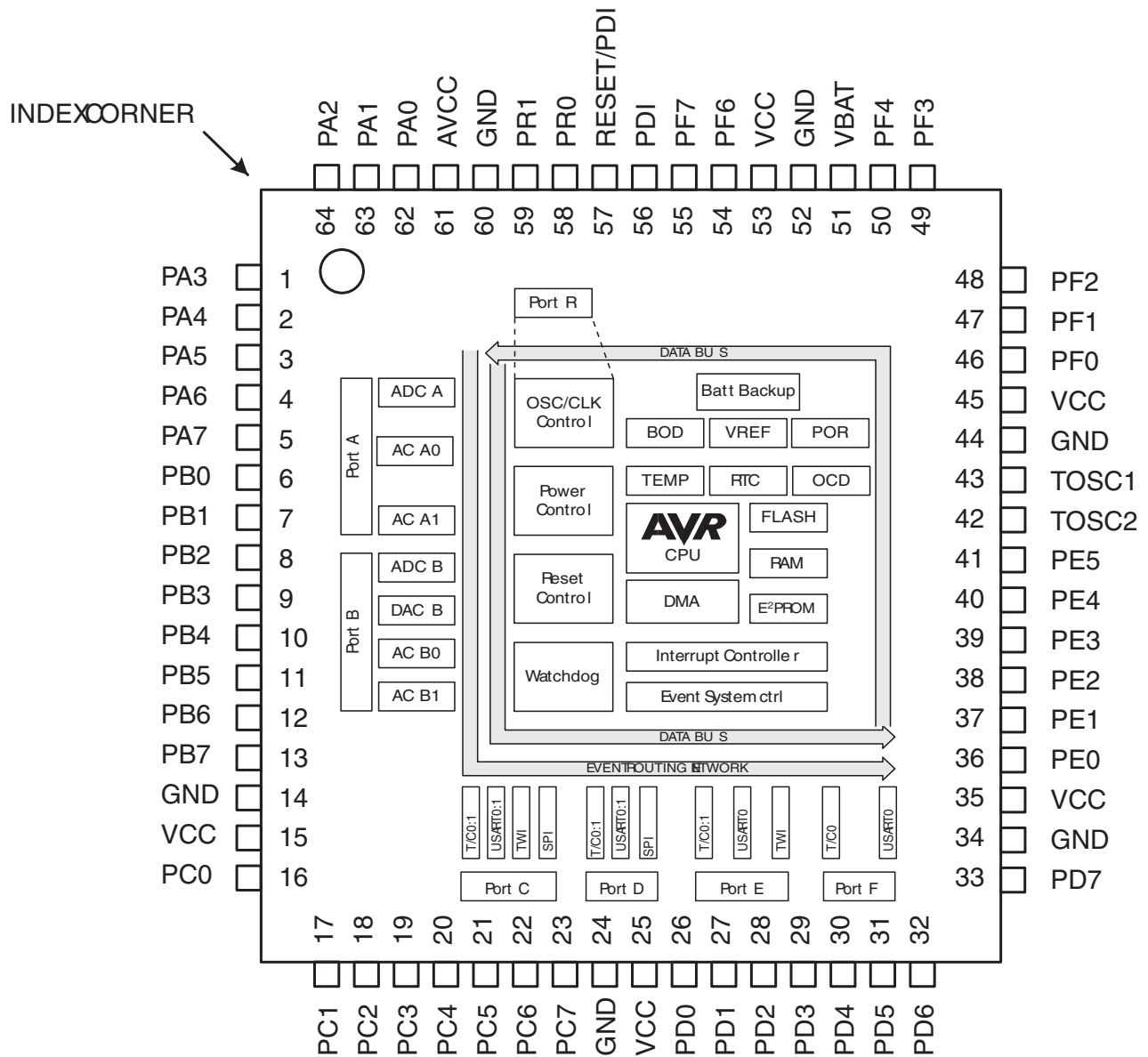
Ordering Code	Flash	E <sup>2</sup>	SRAM	Speed (MHz)	Power Supply	Package <sup>(1)(2)(3)</sup>	Temp
ATxmega256A3B-AU	256 KB + 8 KB	4 KB	16 KB	32	1.6 - 3.6V	64A	-40°C - 85°C
ATxmega256A3B-MH	256 KB + 8 KB	4 KB	16 KB	32	1.6 - 3.6V	64M2	

- Notes:
1. This device can also be supplied in wafer form. Please contact your local Atmel sales office for detailed ordering information.
  2. Pb-free packaging, complies to the European Directive for Restriction of Hazardous Substances (RoHS directive). Also Halide free and fully Green.
  3. For packaging information, see ["Electrical Characteristics" on page 64](#).

Package Type	
<b>64A</b>	64-Lead, 14 x 14 mm Body Size, 1.0 mm Body Thickness, 0.8 mm Lead Pitch, Thin Profile Plastic Quad Flat Package (TQFP)
<b>64M2</b>	64-Pad, 9 x 9 x 1.0 mm Body, Lead Pitch 0.50 mm, 7.65 mm Exposed Pad, Micro Lead Frame Package (MLF)

## 2. Pinout/Block Diagram

Figure 2-1. Block diagram and pinout.



- Notes:
1. For full details on pinout and pin functions refer to ["Pinout and Pin Functions" on page 50](#).
  2. The large center pad underneath the QFN/MLF package should be soldered to ground on the board to ensure good mechanical stability.

### 3. Overview

The XMEGA™ A3B is a family of low power, high performance and peripheral rich CMOS 8/16-bit microcontrollers based on the AVR® enhanced RISC architecture. By executing powerful instructions in a single clock cycle, the XMEGA A3B achieves throughputs approaching 1 Million Instructions Per Second (MIPS) per MHz allowing the system designer to optimize power consumption versus processing speed.

The AVR CPU combines a rich instruction set with 32 general purpose working registers. All the 32 registers are directly connected to the Arithmetic Logic Unit (ALU), allowing two independent registers to be accessed in one single instruction, executed in one clock cycle. The resulting architecture is more code efficient while achieving throughputs many times faster than conventional single-accumulator or CISC based microcontrollers.

The XMEGA A3B devices provides the following features: In-System Programmable Flash with Read-While-Write capabilities, Internal EEPROM and SRAM, four-channel DMA Controller, eight-channel Event System, Programmable Multi-level Interrupt Controller, 49 general purpose I/O lines, 32-bit Real Time Counter (RTC) with Battery Backup System, seven flexible 16-bit Timer/Counters with compare modes and PWM, six USARTs, two Two Wire Serial Interfaces (TWIs), two Serial Peripheral Interfaces (SPIs), AES and DES crypto engine, two 8-channel, 12-bit ADCs with optional differential input with programmable gain, one 2-channel 12-bit DAC, four analog comparators with window mode, programmable Watchdog Timer with separate Internal Oscillator, accurate internal oscillators with PLL and prescaler and programmable Brown-Out Detection.

The Program and Debug Interface (PDI), a fast 2-pin interface for programming and debugging, is available. The devices also have an IEEE std. 1149.1 compliant JTAG test interface, and this can also be used for On-chip Debug and programming.

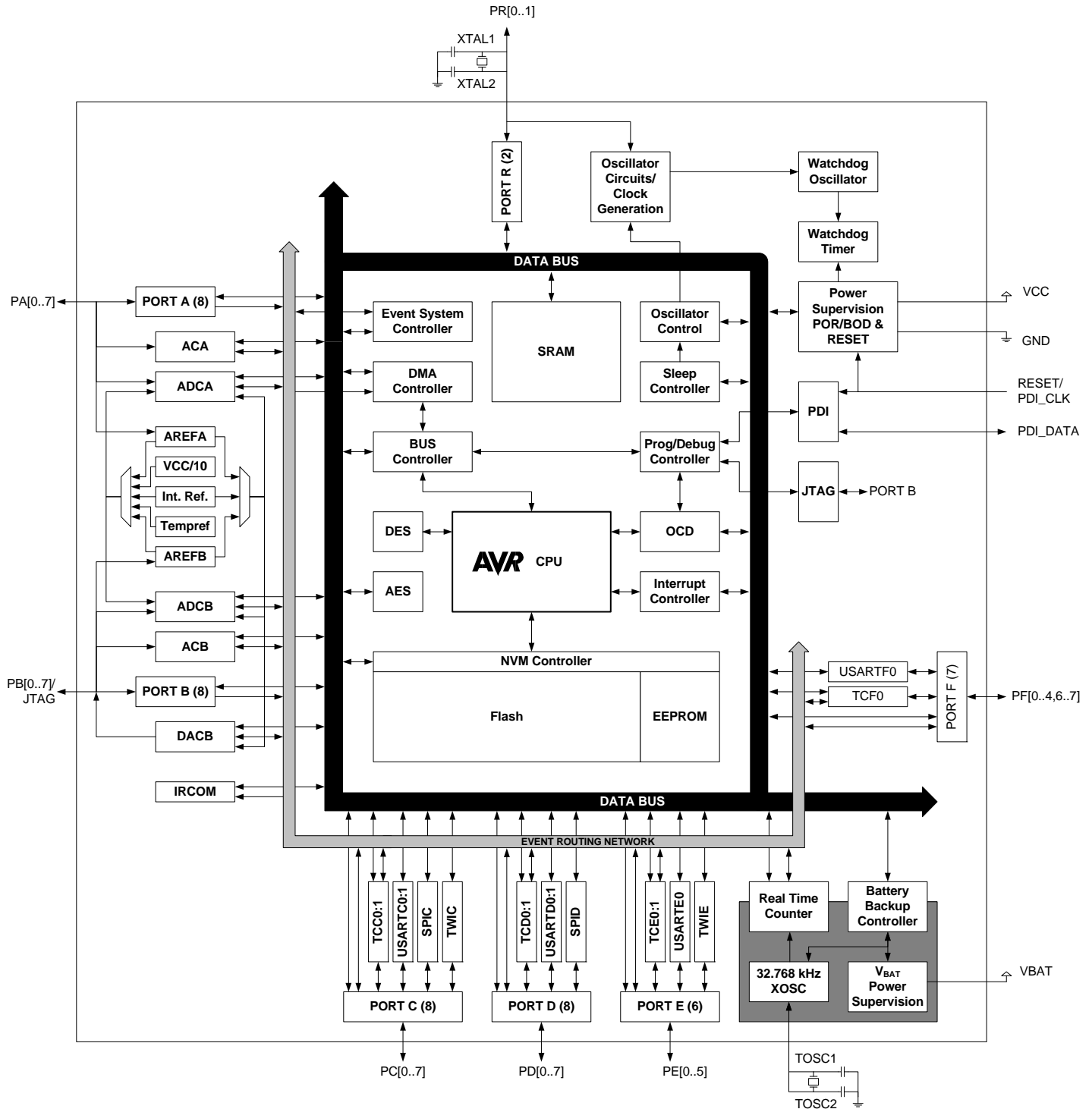
The XMEGA A3B devices have five software selectable power saving modes. The Idle mode stops the CPU while allowing the SRAM, DMA Controller, Event System, Interrupt Controller and all peripherals to continue functioning. The Power-down mode saves the SRAM and register contents but stops the oscillators, disabling all other functions until the next TWI or pin-change interrupt, or Reset. In Power-save mode, the asynchronous Real Time Counter continues to run, allowing the application to maintain a timer base while the rest of the device is sleeping. In Standby mode, the Crystal/Resonator Oscillator is kept running while the rest of the device is sleeping. This allows very fast start-up from external crystal combined with low power consumption. In Extended Standby mode, both the main Oscillator and the Asynchronous Timer continue to run. To further reduce power consumption, the peripheral clock to each individual peripheral can optionally be stopped in Active mode and Idle sleep mode.

The device is manufactured using Atmel's high-density nonvolatile memory technology. The program Flash memory can be reprogrammed in-system through the PDI or JTAG. A Bootloader running in the device can use any interface to download the application program to the Flash memory. The Bootloader software in the Boot Flash section will continue to run while the Application Flash section is updated, providing true Read-While-Write operation. By combining an 8/16-bit RISC CPU with In-System Self-Programmable Flash, the Atmel XMEGA A3B is a powerful microcontroller family that provides a highly flexible and cost effective solution for many embedded applications.

The XMEGA A3B devices are supported with a full suite of program and system development tools including: C compilers, macro assemblers, program debugger/simulators, programmers, and evaluation kits.

## 3.1 Block Diagram

Figure 3-1. XMEGA A3B Block Diagram



## 4. Resources

A comprehensive set of development tools, application notes and datasheets are available for download on <http://www.atmel.com/avr>.

### 4.1 Recommended reading

- XMEGA A Manual
- XMEGA Application Notes

This device data sheet only contains part specific information and a short description of each peripheral and module. The XMEGA A Manual describes the modules and peripherals in depth. The XMEGA application notes contain example code and show applied use of the modules and peripherals.

The XMEGA A Manual and Application Notes are available from <http://www.atmel.com/avr>.

## 5. Disclaimer

For devices that are not available yet, typical values contained in this datasheet are based on simulations and characterization of other AVR XMEGA microcontrollers manufactured on the same process technology. Min. and Max values will be available after the device is characterized.

## 6. AVR CPU

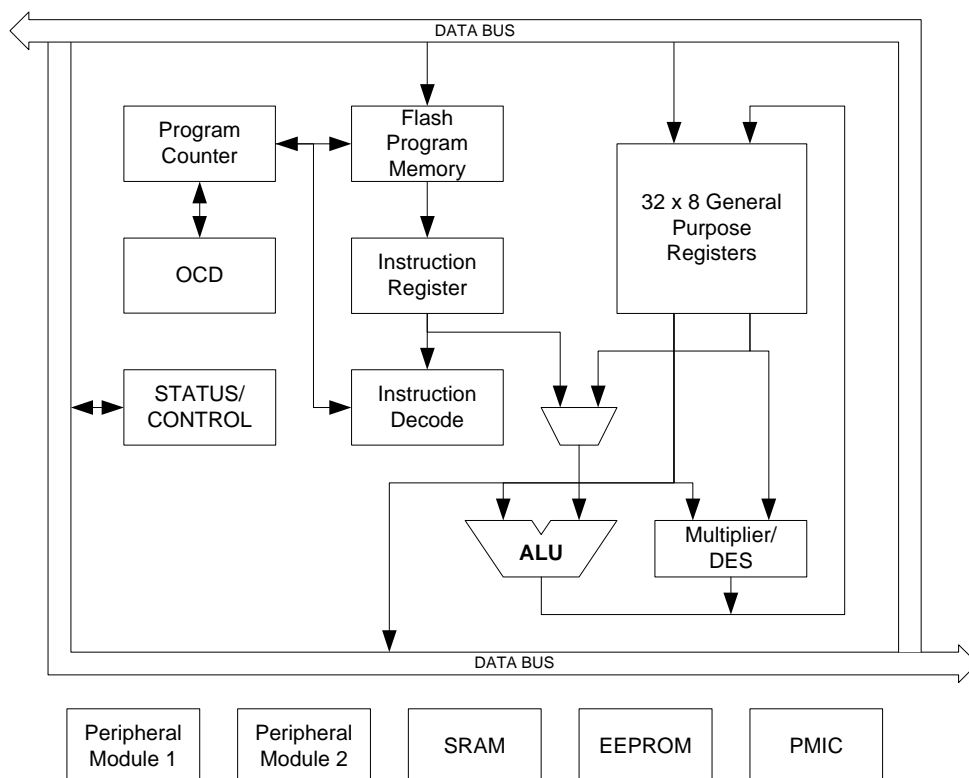
### 6.1 Features

- 8/16-bit high performance AVR RISC Architecture
  - 138 instructions
  - Hardware multiplier
- 32x8-bit registers directly connected to the ALU
- Stack in SRAM
- Stack Pointer accessible in I/O memory space
- Direct addressing of up to 16M Bytes of program and data memory
- True 16/24-bit access to 16/24-bit I/O registers
- Support for 8-, 16- and 32-bit Arithmetic
- Configuration Change Protection of system critical features

### 6.2 Overview

The XMEGA A3B uses the 8/16-bit AVR CPU. The main function of the CPU is program execution. The CPU must therefore be able to access memories, perform calculations and control peripherals. Interrupt handling is described in a separate section. [Figure 6-1 on page 7](#) shows the CPU block diagram.

**Figure 6-1.** CPU block diagram



The AVR uses a Harvard architecture - with separate memories and buses for program and data. Instructions in the program memory are executed with a single level pipeline. While one instruction is being executed, the next instruction is pre-fetched from the program memory. This

concept enables instructions to be executed in every clock cycle. The program memory is In-System Self-Programmable Flash memory.

### **6.3 Register File**

The fast-access Register File contains 32 x 8-bit general purpose working registers with single clock cycle access time. This allows single-cycle Arithmetic Logic Unit (ALU) operation. In a typical ALU cycle, the operation is performed on two Register File operands, and the result is stored back in the Register File.

Six of the 32 registers can be used as three 16-bit address register pointers for data space addressing - enabling efficient address calculations. One of these address pointers can also be used as an address pointer for look up tables in Flash program memory.

### **6.4 ALU - Arithmetic Logic Unit**

The high performance Arithmetic Logic Unit (ALU) supports arithmetic and logic operations between registers or between a constant and a register. Single register operations can also be executed. Within a single clock cycle, arithmetic operations between general purpose registers or between a register and an immediate are executed. After an arithmetic or logic operation, the Status Register is updated to reflect information about the result of the operation.

The ALU operations are divided into three main categories – arithmetic, logical, and bit-functions. Both 8- and 16-bit arithmetic is supported, and the instruction set allows for easy implementation of 32-bit arithmetic. The ALU also provides a powerful multiplier supporting both signed and unsigned multiplication and fractional format.

### **6.5 Program Flow**

When the device is powered on, the CPU starts to execute instructions from the lowest address in the Flash Program Memory '0'. The Program Counter (PC) addresses the next instruction to be fetched. After a reset, the PC is set to location '0'.

Program flow is provided by conditional and unconditional jump and call instructions, capable of addressing the whole address space directly. Most AVR instructions use a 16-bit word format, while a limited number uses a 32-bit format.

During interrupts and subroutine calls, the return address PC is stored on the Stack. The Stack is effectively allocated in the general data SRAM, and consequently the Stack size is only limited by the total SRAM size and the usage of the SRAM. After reset the Stack Pointer (SP) points to the highest address in the internal SRAM. The SP is read/write accessible in the I/O memory space, enabling easy implementation of multiple stacks or stack areas. The data SRAM can easily be accessed through the five different addressing modes supported in the AVR CPU.



## 7. Memories

### 7.1 Features

- **Flash Program Memory**
  - One linear address space
  - In-System Programmable
  - Self-Programming and Bootloader support
  - Application Section for application code
  - Application Table Section for application code or data storage
  - Boot Section for application code or bootloader code
  - Separate lock bits and protection for all sections
  - Built in fast CRC check of a selectable flash program memory section
- **Data Memory**
  - One linear address space
  - Single cycle access from CPU
  - SRAM
  - EEPROM
    - Byte and page accessible
    - Optional memory mapping for direct load and store
  - I/O Memory
    - Configuration and Status registers for all peripherals and modules
    - 16 bit-accessible General Purpose Register for global variables or flags
  - Bus arbitration
    - Safe and deterministic handling of CPU and DMA Controller priority
  - Separate buses for SRAM, EEPROM, I/O Memory and External Memory access
    - Simultaneous bus access for CPU and DMA Controller
- **Production Signature Row Memory for factory programmed data**
  - Device ID for each microcontroller device type
  - Serial number for each device
  - Oscillator calibration bytes
  - ADC, DAC and temperature sensor calibration data
- **User Signature Row**
  - One flash page in size
  - Can be read and written from software
  - Content is kept after chip erase

### 7.2 Overview

The AVR architecture has two main memory spaces, the Program Memory and the Data Memory. In addition, the XMEGA A3B features an EEPROM Memory for non-volatile data storage. All three memory spaces are linear and require no paging. The available memory size configurations are shown in ["Ordering Information" on page 2](#). In addition each device has a Flash memory signature row for calibration data, device identification, serial number etc.

Non-volatile memory spaces can be locked for further write or read/write operations. This prevents unrestricted access to the application software.

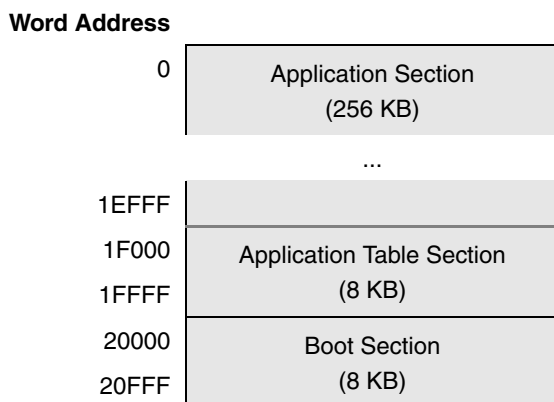
## 7.3 In-System Programmable Flash Program Memory

The XMEGA A3B devices contain On-chip In-System Programmable Flash memory for program storage, see [Figure 7-1 on page 10](#). Since all AVR instructions are 16- or 32-bits wide, each Flash address location is 16 bits.

The Program Flash memory space is divided into Application and Boot sections. Both sections have dedicated Lock Bits for setting restrictions on write or read/write operations. The Store Program Memory (SPM) instruction must reside in the Boot Section when used to write to the Flash memory.

A third section inside the Application section is referred to as the Application Table section which has separate Lock bits for storage of write or read/write protection. The Application Table section can be used for storing non-volatile data or application software.

**Figure 7-1.** Flash Program Memory (Hexadecimal address)

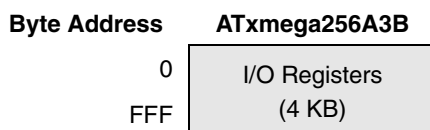


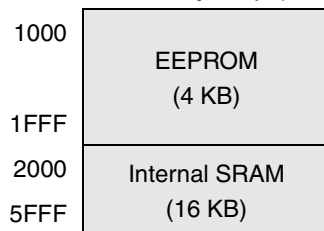
The Application Table Section and Boot Section can also be used for general application software.

## 7.4 Data Memory

The Data Memory consists of the I/O Memory, EEPROM and SRAM memories, all within one linear address space, see [Figure 7-2 on page 10](#). To simplify development, the memory map for all devices in the family is identical and with empty, reserved memory space for smaller devices.

**Figure 7-2.** Data Memory Map (Hexadecimal address)



**Figure 7-2.** Data Memory Map (Hexadecimal address)

#### 7.4.1 I/O Memory

All peripherals and modules are addressable through I/O memory locations in the data memory space. All I/O memory locations can be accessed by the Load (LD/LDS/LDD) and Store (ST/STS/STD) instructions, transferring data between the 32 general purpose registers in the CPU and the I/O Memory.

The IN and OUT instructions can address I/O memory locations in the range 0x00 - 0x3F directly.

I/O registers within the address range 0x00 - 0x1F are directly bit-accessible using the SBI and CBI instructions. The value of single bits can be checked by using the SBIS and SBIC instructions on these registers.

The I/O memory address for all peripherals and modules in XMEGA A3B is shown in the ["Peripheral Module Address Map" on page 57](#).

#### 7.4.2 SRAM Data Memory

The XMEGA A3B devices have internal SRAM memory for data storage.

#### 7.4.3 EEPROM Data Memory

The XMEGA A3B devices have internal EEPROM memory for non-volatile data storage. It is addressable either in a separate data space or it can be memory mapped into the normal data memory space. The EEPROM memory supports both byte and page access.

## 7.5 Production Signature Row

The Production Signature Row is a separate memory section for factory programmed data. It contains calibration data for functions such as oscillators and analog modules.

The production signature row also contains a device ID that identify each microcontroller device type, and a serial number that is unique for each manufactured device. The device ID for the available XMEGA A3 devices is shown in [Table 7-1 on page 12](#). The serial number consist of the production LOT number, wafer number, and wafer coordinates for the device.

The production signature row can not be written or erased, but it can be read from both application software and external programming.

**Table 7-1.** .Device ID bytes for XMEGA A3B device.

Device	Device ID bytes		
	Byte 2	Byte 1	Byte 0
ATxmega256A3B	43	98	1E

## 7.6 User Signature Row

The User Signature Row is a separate memory section that is fully accessible (read and write) from application software and external programming. The user signature row is one flash page in size, and is meant for static user parameter storage, such as calibration data, custom serial numbers or identification numbers, random number seeds etc. This section is not erased by Chip Erase commands that erase the Flash, and requires a dedicated erase command. This ensures parameter storage during multiple program/erase session and on-chip debug sessions.

## 7.7 Flash and EEPROM Page Size

The Flash Program Memory and EEPROM data memory are organized in pages. The pages are word accessible for the Flash and byte accessible for the EEPROM.

Table 7-2 on page 13 shows the Flash Program Memory organization. Flash write and erase operations are performed on one page at a time, while reading the Flash is done one byte at a time. For Flash access the Z-pointer (Z[m:n]) is used for addressing. The most significant bits in the address (FPAGE) give the page number and the least significant address bits (FWORD) give the word in the page.

**Table 7-2.** Number of words and Pages in the Flash.

Devices	Flash Size	Page Size (words)	FWORD	FPAGE	Application		Boot	
					Size	No of Pages	Size	No of Pages
ATxmega256A3B	256 KB + 8 KB	256	Z[8:1]	Z[18:9]	256 KB	512	8 KB	16

Table 7-3 on page 13 shows EEPROM memory organization for the XMEGA A3B devices. EEPROM write and erase operations can be performed one page or one byte at a time, while reading the EEPROM is done one byte at a time. For EEPROM access the NVM Address Register (ADDR[m:n]) is used for addressing. The most significant bits in the address (E2PAGE) give the page number and the least significant address bits (E2BYTE) give the byte in the page.

**Table 7-3.** Number of Bytes and Pages in the EEPROM.

Devices	EEPROM Size	Page Size (Bytes)	E2BYTE	E2PAGE	No of Pages
ATxmega256A3B	4 KB	32	ADDR[4:0]	ADDR[11:5]	128

## 8. DMAC - Direct Memory Access Controller

### 8.1 Features

- **Allows High-speed data transfer**
  - From memory to peripheral
  - From memory to memory
  - From peripheral to memory
  - From peripheral to peripheral
- **4 Channels**
- **From 1 byte and up to 16M bytes transfers in a single transaction**
- **Multiple addressing modes for source and destination address**
  - Increment
  - Decrement
  - Static
- **1, 2, 4, or 8 byte Burst Transfers**
- **Programmable priority between channels**

### 8.2 Overview

The XMEGA A3B has a Direct Memory Access (DMA) Controller to move data between memories and peripherals in the data space. The DMA controller uses the same data bus as the CPU to transfer data.

It has 4 channels that can be configured independently. Each DMA channel can perform data transfers in blocks of configurable size from 1 to 64K bytes. A repeat counter can be used to repeat each block transfer for single transactions up to 16M bytes. Each DMA channel can be configured to access the source and destination memory address with incrementing, decrementing or static addressing. The addressing is independent for source and destination address. When the transaction is complete the original source and destination address can automatically be reloaded to be ready for the next transaction.

The DMAC can access all the peripherals through their I/O memory registers, and the DMA may be used for automatic transfer of data to/from communication modules, as well as automatic data retrieval from ADC conversions, data transfer to DAC conversions, or data transfer to or from port pins. A wide range of transfer triggers are available from the peripherals, Event System and software. Each DMA channel has different transfer triggers.

To allow for continuous transfers, two channels can be interlinked so that the second takes over the transfer when the first is finished and vice versa.

The DMA controller can read from memory mapped EEPROM, but it cannot write to the EEPROM or access the Flash.

## 9. Event System

### 9.1 Features

- Inter-peripheral communication and signalling with minimum latency
- CPU and DMA independent operation
- 8 Event Channels allows for up to 8 signals to be routed at the same time
- Events can be generated by
  - Timer/Counters (TCxn)
  - Real Time Counter (RTC)
  - Analog to Digital Converters (ADCx)
  - Analog Comparators (ACx)
  - Ports (PORTx)
  - System Clock (Clk<sub>sys</sub>)
  - Software (CPU)
- Events can be used by
  - Timer/Counters (TCxn)
  - Analog to Digital Converters (ADCx)
  - Digital to Analog Converters (DACx)
  - Ports (PORTx)
  - DMA Controller (DMAC)
  - IR Communication Module (IRCOM)
- The same event can be used by multiple peripherals for synchronized timing
- Advanced Features
  - Manual Event Generation from software (CPU)
  - Quadrature Decoding
  - Digital Filtering
- Functions in Active and Idle mode

### 9.2 Overview

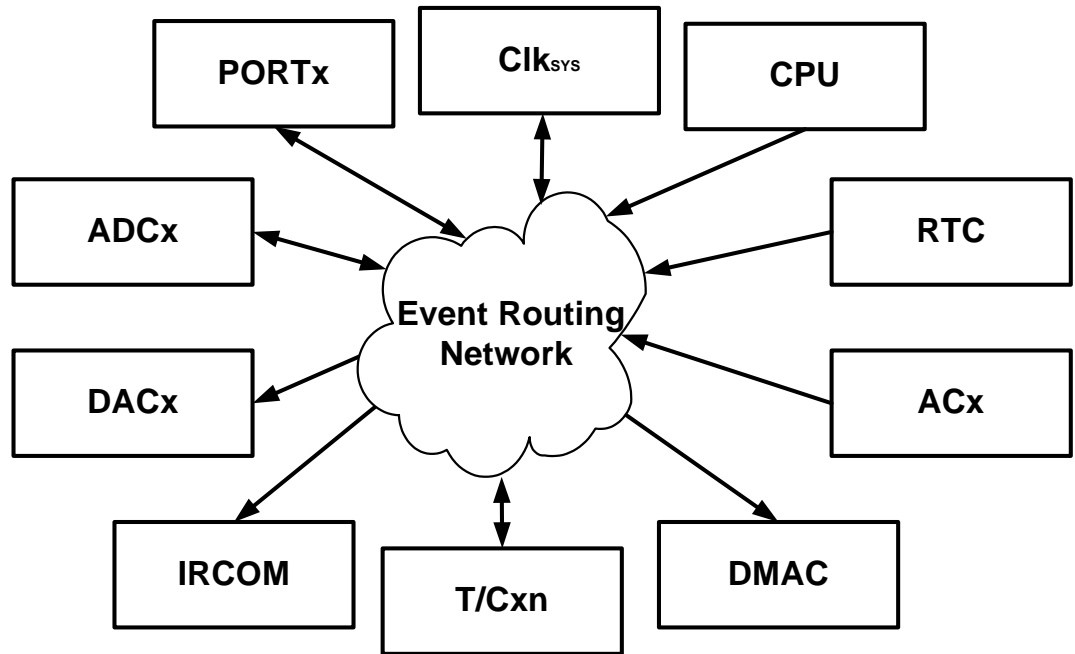
The Event System is a set of features for inter-peripheral communication. It enables the possibility for a change of state in one peripheral to automatically trigger actions in one or more peripherals. What changes in a peripheral that will trigger actions in other peripherals are configurable by software. It is a simple, but powerful system as it allows for autonomous control of peripherals without any use of interrupts, CPU or DMA resources.

The indication of a change in a peripheral is referred to as an event, and is usually the same as the interrupt conditions for that peripheral. Events are passed between peripherals using a dedicated routing network called the Event Routing Network. [Figure 9-1 on page 16](#) shows a basic block diagram of the Event System with the Event Routing Network and the peripherals to which it is connected. This highly flexible system can be used for simple routing of signals, pin functions or for sequencing of events.

The maximum latency is two CPU clock cycles from when an event is generated in one peripheral, until the actions are triggered in one or more other peripherals.

The Event System is functional in both Active and Idle modes.

**Figure 9-1.** Event system block diagram.



The Event Routing Network can directly connect together ADCs, DACs, Analog Comparators (ACx), I/O ports (PORTx), the Real-time Counter (RTC), Timer/Counters (T/C) and the IR Communication Module (IRCOM). Events can also be generated from software (CPU).

All events from all peripherals are always routed into the Event Routing Network. This consist of eight multiplexers where each can be configured in software to select which event to be routed into that event channel. All eight event channels are connected to the peripherals that can use events, and each of these peripherals can be configured to use events from one or more event channels to automatically trigger a software selectable action.



## 10. System Clock and Clock options

### 10.1 Features

- **Fast start-up time**
- **Safe run-time clock switching**
- **Internal Oscillators:**
  - 32 MHz run-time calibrated RC oscillator
  - 2 MHz run-time calibrated RC oscillator
  - 32.768 kHz calibrated RC oscillator
  - 32 kHz Ultra Low Power (ULP) oscillator
- **External clock options**
  - 0.4 - 16 MHz Crystal Oscillator
  - 32.768 kHz Crystal Oscillator
  - External clock
- **PLL with internal and external clock options with 2 to 31x multiplication**
- **Clock Prescalers with 2 to 2048x division**
- **Fast peripheral clock running at 2 and 4 times the CPU clock speed**
- **Automatic Run-Time Calibration of internal oscillators**
- **Crystal Oscillator failure detection**

### 10.2 Overview

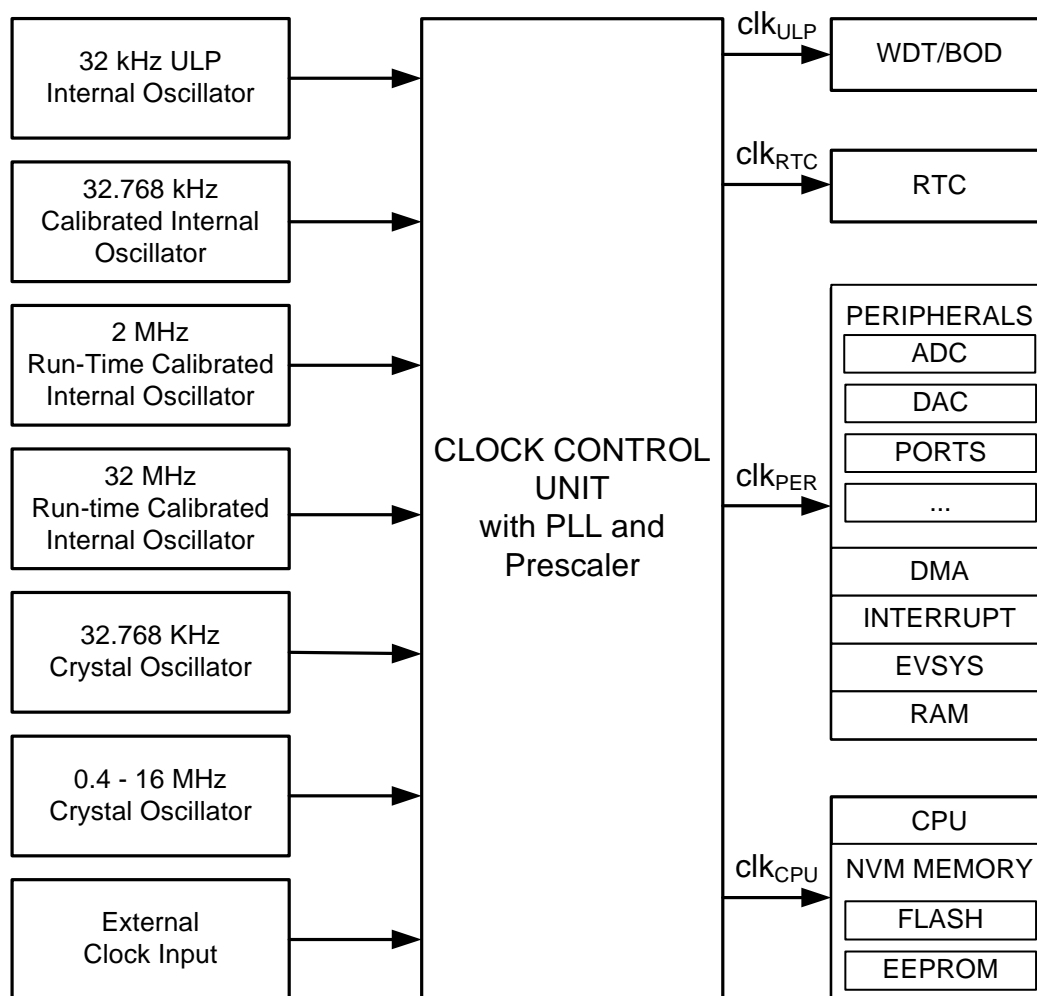
XMEGA A3B has an advanced clock system, supporting a large number of clock sources. It incorporates both integrated oscillators, external crystal oscillators and resonators. A high frequency Phase Locked Loop (PLL) and clock prescalers can be controlled from software to generate a wide range of clock frequencies from the clock source input.

It is possible to switch between clock sources from software during run-time. After reset the device will always start up running from the 2 Mhz internal oscillator.

A calibration feature is available, and can be used for automatic run-time calibration of the internal 2 MHz and 32 MHz oscillators. This reduce frequency drift over voltage and temperature.

A Crystal Oscillator Failure Monitor can be enabled to issue a Non-Maskable Interrupt and switch to internal oscillator if the external oscillator fails. [Figure 10-1 on page 18](#) shows the principal clock system in XMEGA A3B.

**Figure 10-1.** Clock system overview



Each clock source is briefly described in the following sub-sections.

## 10.3 Clock Options

### 10.3.1 32 kHz Ultra Low Power Internal Oscillator

The 32 kHz Ultra Low Power (ULP) Internal Oscillator is a very low power consumption clock source. It is used for the Watchdog Timer, Brown-Out Detection and as an asynchronous clock source for the Real Time Counter. This oscillator cannot be used as the system clock source, and it cannot be directly controlled from software.

### 10.3.2 32.768 kHz Calibrated Internal Oscillator

The 32.768 kHz Calibrated Internal Oscillator is a high accuracy clock source that can be used as the system clock source or as an asynchronous clock source for the Real Time Counter. It is calibrated during production to provide a default frequency which is close to its nominal frequency.

**10.3.3 32.768 kHz Crystal Oscillator**

The 32.768 kHz Crystal Oscillator is a low power driver for an external watch crystal. It can be used as system clock source or as asynchronous clock source for the Real Time Counter.

**10.3.4 0.4 - 16 MHz Crystal Oscillator**

The 0.4 - 16 MHz Crystal Oscillator is a driver intended for driving both external resonators and crystals ranging from 400 kHz to 16 MHz.

**10.3.5 2 MHz Run-time Calibrated Internal Oscillator**

The 2 MHz Run-time Calibrated Internal Oscillator is a high frequency oscillator. It is calibrated during production to provide a default frequency which is close to its nominal frequency. The oscillator can use the 32.768 kHz Calibrated Internal Oscillator or the 32 kHz Crystal Oscillator as a source for calibrating the frequency run-time to compensate for temperature and voltage drift hereby optimizing the accuracy of the oscillator.

**10.3.6 32 MHz Run-time Calibrated Internal Oscillator**

The 32 MHz Run-time Calibrated Internal Oscillator is a high frequency oscillator. It is calibrated during production to provide a default frequency which is close to its nominal frequency. The oscillator can use the 32.768 kHz Calibrated Internal Oscillator or the 32 kHz Crystal Oscillator as a source for calibrating the frequency run-time to compensate for temperature and voltage drift hereby optimizing the accuracy of the oscillator.

**10.3.7 External Clock input**

The external clock input gives the possibility to connect a clock from an external source.

**10.3.8 PLL with Multiplication factor 2 - 31x**

The PLL provides the possibility of multiplying a frequency by any number from 2 to 31. In combination with the prescalers, this gives a wide range of output frequencies from all clock sources.

## 11. Power Management and Sleep Modes

### 11.1 Features

- 5 sleep modes
  - Idle
  - Power-down
  - Power-save
  - Standby
  - Extended standby
- Power Reduction registers to disable clocks to unused peripherals

### 11.2 Overview

The XMEGA A3B provides various sleep modes tailored to reduce power consumption to a minimum. All sleep modes are available and can be entered from Active mode. In Active mode the CPU is executing application code. The application code decides when and what sleep mode to enter. Interrupts from enabled peripherals and all enabled reset sources can restore the microcontroller from sleep to Active mode.

In addition, Power Reduction registers provide a method to stop the clock to individual peripherals from software. When this is done, the current state of the peripheral is frozen and there is no power consumption from that peripheral. This reduces the power consumption in Active mode and Idle sleep mode.

### 11.3 Sleep Modes

#### 11.3.1 Idle Mode

In Idle mode the CPU and Non-Volatile Memory are stopped, but all peripherals including the Interrupt Controller, Event System and DMA Controller are kept running. Interrupt requests from all enabled interrupts will wake the device.

#### 11.3.2 Power-down Mode

In Power-down mode all system clock sources, and the asynchronous Real Time Counter (RTC) clock source, are stopped. This allows operation of asynchronous modules only. The only interrupts that can wake up the MCU are the Two Wire Interface address match interrupts, and asynchronous port interrupts, e.g pin change.

#### 11.3.3 Power-save Mode

Power-save mode is identical to Power-down, with one exception: If the RTC is enabled, it will keep running during sleep and the device can also wake up from RTC interrupts.

#### 11.3.4 Standby Mode

Standby mode is identical to Power-down with the exception that all enabled system clock sources are kept running, while the CPU, Peripheral and RTC clocks are stopped. This reduces the wake-up time when external crystals or resonators are used.

### **11.3.5 Extended Standby Mode**

Extended Standby mode is identical to Power-save mode with the exception that all enabled system clock sources are kept running while the CPU and Peripheral clocks are stopped. This reduces the wake-up time when external crystals or resonators are used.

## 12. System Control and Reset

### 12.1 Features

- **Multiple reset sources for safe operation and device reset**
  - Power-On Reset
  - External Reset
  - Watchdog Reset
    - The Watchdog Timer runs from separate, dedicated oscillator
  - Brown-Out Reset
    - Accurate, programmable Brown-Out levels
  - JTAG Reset
  - PDI reset
  - Software reset
- **Asynchronous reset**
  - No running clock in the device is required for reset
- **Reset status register**

### 12.2 Resetting the AVR

During reset, all I/O registers are set to their initial values. The SRAM content is not reset. Application execution starts from the Reset Vector. The instruction placed at the Reset Vector should be an Absolute Jump (JMP) instruction to the reset handling routine. By default the Reset Vector address is the lowest Flash program memory address, '0', but it is possible to move the Reset Vector to the first address in the Boot Section.

The I/O ports of the AVR are immediately tri-stated when a reset source goes active.

The reset functionality is asynchronous, so no running clock is required to reset the device.

After the device is reset, the reset source can be determined by the application by reading the Reset Status Register.

### 12.3 Reset Sources

#### 12.3.1 Power-On Reset

The MCU is reset when the supply voltage VCC is below the Power-on Reset threshold voltage.

#### 12.3.2 External Reset

The MCU is reset when a low level is present on the RESET pin.

#### 12.3.3 Watchdog Reset

The MCU is reset when the Watchdog Timer period expires and the Watchdog Reset is enabled. The Watchdog Timer runs from a dedicated oscillator independent of the System Clock. For more details see "[WDT - Watchdog Timer](#)" on page 23.

#### 12.3.4 Brown-Out Reset

The MCU is reset when the supply voltage VCC is below the Brown-Out Reset threshold voltage and the Brown-out Detector is enabled. The Brown-out threshold voltage is programmable.

### 12.3.5 JTAG reset

The MCU is reset as long as there is a logic one in the Reset Register in one of the scan chains of the JTAG system. Refer to IEEE 1149.1 (JTAG) Boundary-scan for details.

### 12.3.6 PDI reset

The MCU can be reset through the Program and Debug Interface (PDI).

### 12.3.7 Software reset

The MCU can be reset by the CPU writing to a special I/O register through a timed sequence.

## 12.4 WDT - Watchdog Timer

### 12.4.1 Features

- **11 selectable timeout periods, from 8 ms to 8s.**
- **Two operation modes**
  - **Standard mode**
  - **Window mode**
- **Runs from the 1 kHz output of the 32 kHz Ultra Low Power oscillator**
- **Configuration lock to prevent unwanted changes**

### 12.4.2 Overview

The XMEGA A3B has a Watchdog Timer (WDT). The WDT will run continuously when turned on and if the Watchdog Timer is not reset within a software configurable time-out period, the microcontroller will be reset. The Watchdog Reset (WDR) instruction must be run by software to reset the WDT, and prevents microcontroller reset.

The WDT has a Window mode. In this mode the WDR instruction must be run within a specified period called a window. Application software can set the minimum and maximum limits for this window. If the WDR instruction is not executed inside the window limits, the microcontroller will be reset.

A protection mechanism using a timed write sequence is implemented in order to prevent unwanted enabling, disabling or change of WDT settings.

For maximum safety, the WDT also has an Always-on mode. This mode is enabled by programming a fuse. In Always-on mode, application software can not disable the WDT.

## 13. Battery Backup System

### 13.1 Features

- **Battery Backup voltage supply from dedicated  $V_{BAT}$  power pin for:**
  - One Ultra Low-power 32-bit Real Time Counter
  - One 32.768 kHz crystal oscillator with failure detection monitor
  - Two Backup Registers
- **Typical power consumption of 500nA with Real Time Counter (RTC) running**
- **Automatic switching from main power to battery backup power at:**
  - Brown-Out Detection (BOD) reset
- **Automatic switching from battery backup power to main power:**
  - Device reset after Brown-Out Reset (BOR) is released
  - Device reset after Power-On Reset (POR) and BOR is released

### 13.2 Overview

The AVR XMEGA family is already running in an ultra low leakage process with power-save current consumption below 2  $\mu$ A with RTC, BOD and watchdog enabled. Still, for some applications where time keeping is important, the system would have one main battery or power source used for day to day tasks, and one backup battery power for the time keeping functionality. The Battery Backup System includes functionality that enable automatic power switching between main power and a battery backup power. [Figure 13-1 on page 25](#) shows an overview of the system.

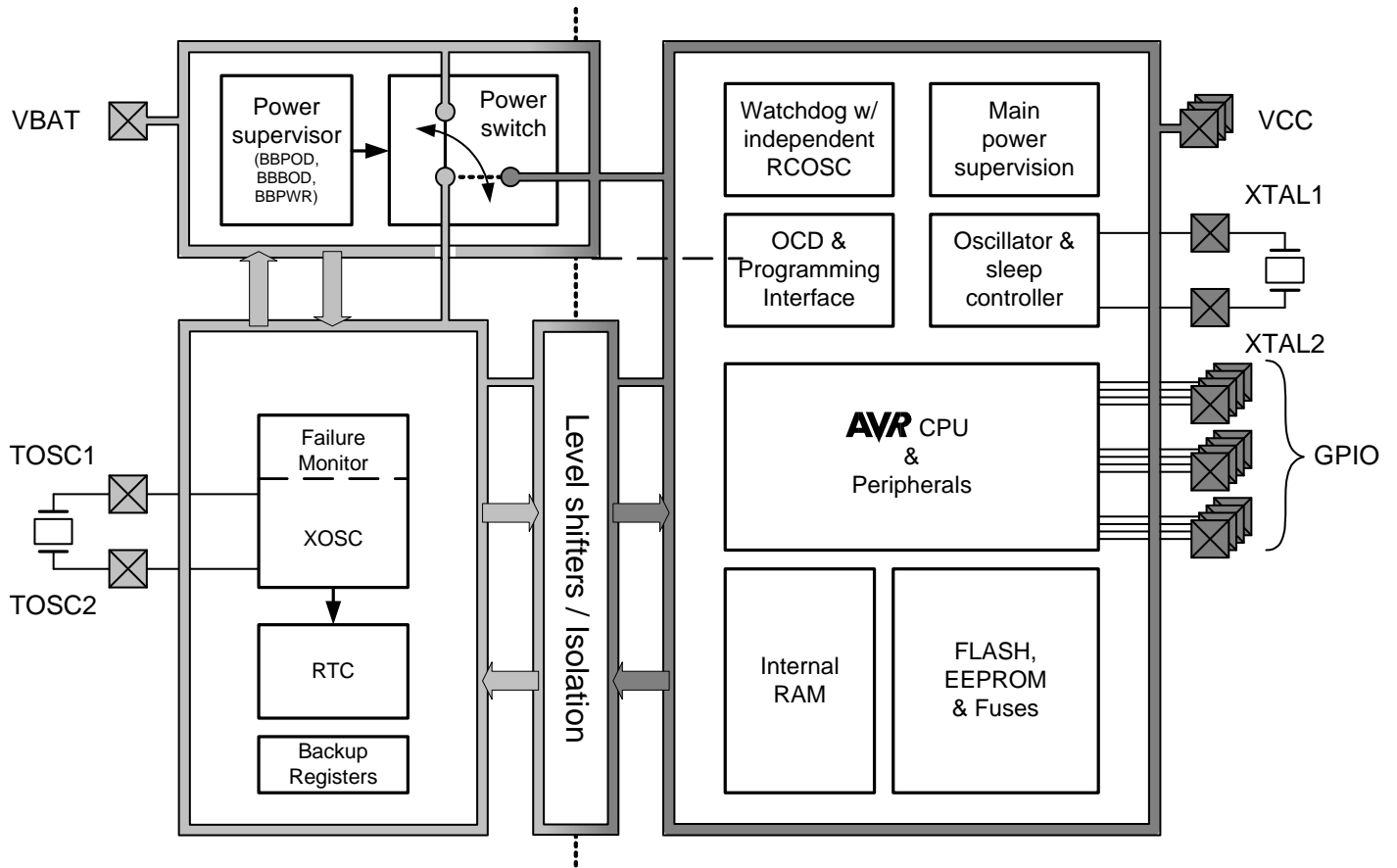
The Battery Backup Module support connection of a backup battery to the dedicated  $V_{BAT}$  power pin. This will ensure power to the 32-bit Real Time Counter, a 32.768 kHz crystal oscillator with failure detection monitor and two backup registers, when the main battery or power source is unavailable.

Upon main power loss the device will automatically detect this and the Battery Backup Module will switch to be powered from the  $V_{BAT}$  pin. After main power has been restored and both main POR and BOR are released, the Battery Backup Module will automatically switch back to be powered from main power again.

The 32-bit Real Time Counter (RTC) must be clocked from the 1 Hz output of a 32.768 kHz crystal oscillator connected between the TOSC1 and TOSC2 pins when running from  $V_{BAT}$ . For more details on the 32-bit RTC refer to the “RTC32 - 32-bit Real Time Counter” section in the XMEGA A Manual.



Figure 13-1. Battery Backup Module and its power domain implementation



## 14. PMIC - Programmable Multi-level Interrupt Controller

### 14.1 Features

- **Separate interrupt vector for each interrupt**
- **Short, predictable interrupt response time**
- **Programmable Multi-level Interrupt Controller**
  - **3 programmable interrupt levels**
  - **Selectable priority scheme within low level interrupts (round-robin or fixed)**
  - **Non-Maskable Interrupts (NMI)**
- **Interrupt vectors can be moved to the start of the Boot Section**

### 14.2 Overview

XMEGA A3B has a Programmable Multi-level Interrupt Controller (PMIC). All peripherals can define three different priority levels for interrupts; high, medium or low. Medium level interrupts may interrupt low level interrupt service routines. High level interrupts may interrupt both low- and medium level interrupt service routines. Low level interrupts have an optional round robin scheme to make sure all interrupts are serviced within a certain amount of time.

The built in oscillator failure detection mechanism can issue a Non-Maskable Interrupt (NMI).

### 14.3 Interrupt vectors

When an interrupt is serviced, the program counter will jump to the interrupt vector address. The interrupt vector is the sum of the peripheral’s base interrupt address and the offset address for specific interrupts in each peripheral. The base addresses for the XMEGA A3B devices are shown in [Table 14-1](#). Offset addresses for each interrupt available in the peripheral are described for each peripheral in the XMEGA A manual. For peripherals or modules that have only one interrupt, the interrupt vector is shown in [Table 14-1](#). The program address is the word address.

**Table 14-1.** Reset and Interrupt Vectors

Program Address (Base Address)	Source	Interrupt Description
0x000	RESET	
0x002	OSCF_INT_vect	Crystal Oscillator Failure Interrupt vector (NMI)
0x004	PORTC_INT_base	Port C Interrupt base
0x008	PORTR_INT_base	Port R Interrupt base
0x00C	DMA_INT_base	DMA Controller Interrupt base
0x014	RTC32_INT_base	32-bit Real Time Counter Interrupt base
0x018	TWIC_INT_base	Two-Wire Interface on Port C Interrupt base
0x01C	TCC0_INT_base	Timer/Counter 0 on port C Interrupt base
0x028	TCC1_INT_base	Timer/Counter 1 on port C Interrupt base
0x030	SPIC_INT_vect	SPI on port C Interrupt vector
0x032	USARTC0_INT_base	USART 0 on port C Interrupt base
0x038	USARTC1_INT_base	USART 1 on port C Interrupt base
0x03E	AES_INT_vect	AES Interrupt vector

**Table 14-1. Reset and Interrupt Vectors (Continued)**

Program Address (Base Address)	Source	Interrupt Description
0x040	NVM_INT_base	Non-Volatile Memory Interrupt base
0x044	PORTB_INT_base	Port B Interrupt base
0x048	ACB_INT_base	Analog Comparator on Port B Interrupt base
0x04E	ADCB_INT_base	Analog to Digital Converter on Port B Interrupt base
0x056	PORTE_INT_base	Port E Interrupt base
0x05A	TWIE_INT_base	Two-Wire Interface on Port E Interrupt base
0x05E	TCE0_INT_base	Timer/Counter 0 on port E Interrupt base
0x06A	TCE1_INT_base	Timer/Counter 1 on port E Interrupt base
0x074	USARTE0_INT_base	USART 0 on port E Interrupt base
0x080	PORTD_INT_base	Port D Interrupt base
0x084	PORTA_INT_base	Port A Interrupt base
0x088	ACA_INT_base	Analog Comparator on Port A Interrupt base
0x08E	ADCA_INT_base	Analog to Digital Converter on Port A Interrupt base
0x09A	TCD0_INT_base	Timer/Counter 0 on port D Interrupt base
0x0A6	TCD1_INT_base	Timer/Counter 1 on port D Interrupt base
0x0AE	SPID_INT_vector	SPI on port D Interrupt vector
0x0B0	USARTD0_INT_base	USART 0 on port D Interrupt base
0x0B6	USARTD1_INT_base	USART 1 on port D Interrupt base
0x0D0	PORTF_INT_base	Port F INT base
0x0D8	TCF0_INT_base	Timer/Counter 0 on port F Interrupt base
0x0EE	USARTF0_INT_base	USART 0 on port F Interrupt base

## 15. I/O Ports

### 15.1 Features

- Selectable input and output configuration for each pin individually
- Flexible pin configuration through dedicated Pin Configuration Register
- Synchronous and/or asynchronous input sensing with port interrupts and events
  - Sense both edges
  - Sense rising edges
  - Sense falling edges
  - Sense low level
- Asynchronous wake-up from all input sensing configurations
- Two port interrupts with flexible pin masking
- Highly configurable output driver and pull settings:
  - Totem-pole
  - Pull-up/-down
  - Wired-AND
  - Wired-OR
  - Bus-keeper
  - Inverted I/O
- Optional Slew rate control
- Configuration of multiple pins in a single operation
- Read-Modify-Write (RMW) support
- Toggle/clear/set registers for Output and Direction registers
- Clock output on port pin
- Event Channel 0 output on port pin 7
- Mapping of port registers (virtual ports) into bit accessible I/O memory space

### 15.2 Overview

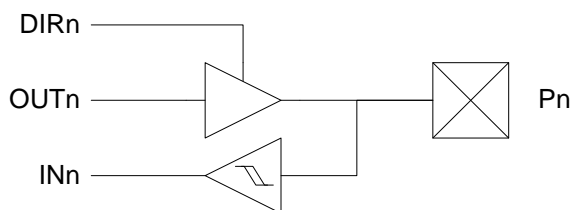
The XMEGA A3B devices have flexible General Purpose I/O Ports. A port consists of up to 8 pins, ranging from pin 0 to pin 7. The ports implement several functions, including synchronous/asynchronous input sensing, pin change interrupts and configurable output settings. All functions are individual per pin, but several pins may be configured in a single operation.

### 15.3 I/O configuration

All port pins ( $P_n$ ) have programmable output configuration. In addition, all port pins have an inverted I/O function. For an input, this means inverting the signal between the port pin and the pin register. For an output, this means inverting the output signal between the port register and the port pin. The inverted I/O function can be used also when the pin is used for alternate functions. The port pins also have configurable slew rate limitation to reduce electromagnetic emission.

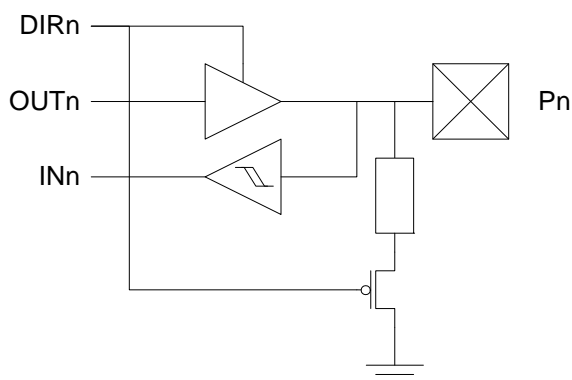
15.3.1 Push-pull

Figure 15-1. I/O configuration - Totem-pole



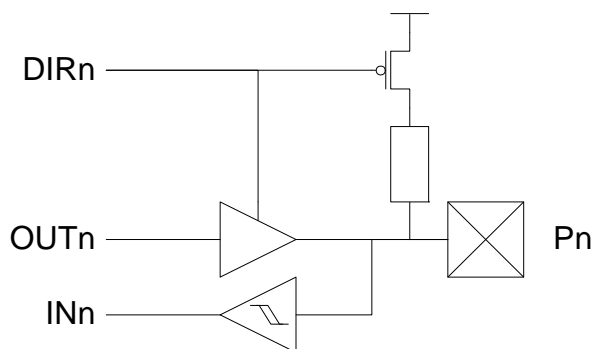
15.3.2 Pull-down

Figure 15-2. I/O configuration - Totem-pole with pull-down (on input)



15.3.3 Pull-up

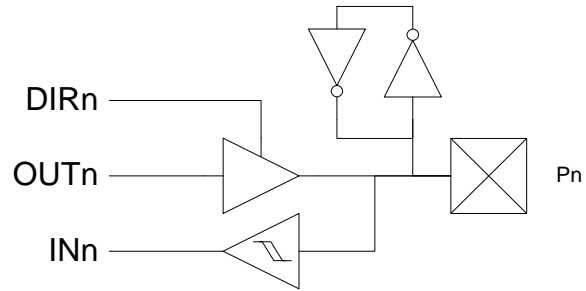
Figure 15-3. I/O configuration - Totem-pole with pull-up (on input)



15.3.4 Bus-keeper

The bus-keeper's weak output produces the same logical level as the last output level. It acts as a pull-up if the last level was '1', and pull-down if the last level was '0'.

Figure 15-4. I/O configuration - Totem-pole with bus-keeper



15.3.5 Others

Figure 15-5. Output configuration - Wired-OR with optional pull-down

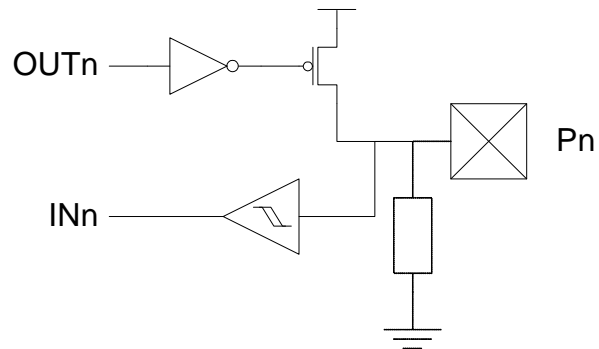
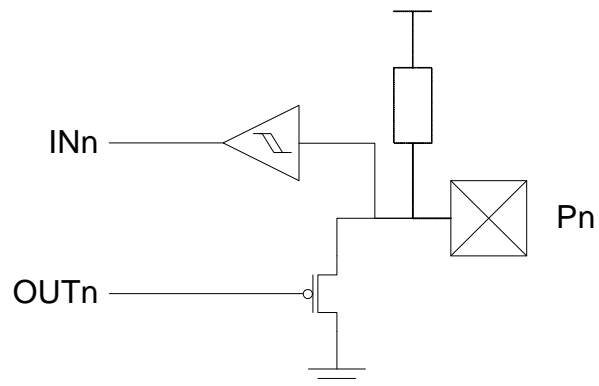


Figure 15-6. I/O configuration - Wired-AND with optional pull-up

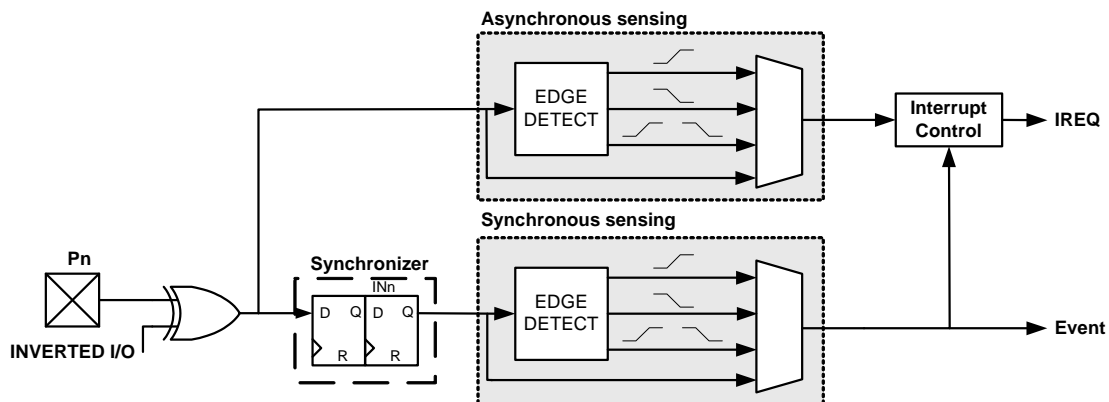


## 15.4 Input sensing

- Sense both edges
- Sense rising edges
- Sense falling edges
- Sense low level

Input sensing is synchronous or asynchronous depending on the enabled clock for the ports, and the configuration is shown in [Figure 15-7 on page 31](#).

**Figure 15-7.** Input sensing system overview



When a pin is configured with inverted I/O the pin value is inverted before the input sensing.

## 15.5 Port Interrupt

Each port has two interrupts with separate priority and interrupt vector. All pins on the port can be individually selected as source for each of the interrupts. The interrupts are then triggered according to the input sense configuration for each pin configured as source for the interrupt.

## 15.6 Alternate Port Functions

In addition to the input/output functions on all port pins, most pins have alternate functions. This means that other modules or peripherals connected to the port can use the port pins for their functions, such as communication or pulse-width modulation. ["Pinout and Pin Functions" on page 50](#) shows which modules on peripherals that enables alternate functions on a pin, and what alternate functions that is available on a pin.

## 16. T/C - 16-bit Timer/Counter with PWM

### 16.1 Features

- **Seven 16-bit Timer/Counters**
  - Four Timer/Counters of type 0
  - Three Timer/Counters of type 1
- **Four Compare or Capture (CC) Channels in Timer/Counter 0**
- **Two Compare or Capture (CC) Channels in Timer/Counter 1**
- **Double Buffered Timer Period Setting**
- **Double Buffered Compare or Capture Channels**
- **Waveform Generation:**
  - Single Slope Pulse Width Modulation
  - Dual Slope Pulse Width Modulation
  - Frequency Generation
- **Input Capture:**
  - Input Capture with Noise Cancelling
  - Frequency capture
  - Pulse width capture
  - 32-bit input capture
- **Event Counter with Direction Control**
- **Timer Overflow and Timer Error Interrupts and Events**
- **One Compare Match or Capture Interrupt and Event per CC Channel**
- **Supports DMA Operation**
- **Hi-Resolution Extension (Hi-Res)**
- **Advanced Waveform Extension (AWEX)**

### 16.2 Overview

XMEGA A3B has seven Timer/Counters, four Timer/Counter 0 and three Timer/Counter 1. The difference between them is that Timer/Counter 0 has four Compare/Capture channels, while Timer/Counter 1 has two Compare/Capture channels.

The Timer/Counters (T/C) are 16-bit and can count any clock, event or external input in the microcontroller. A programmable prescaler is available to get a useful T/C resolution. Updates of Timer and Compare registers are double buffered to ensure glitch free operation. Single slope PWM, dual slope PWM and frequency generation waveforms can be generated using the Compare Channels.

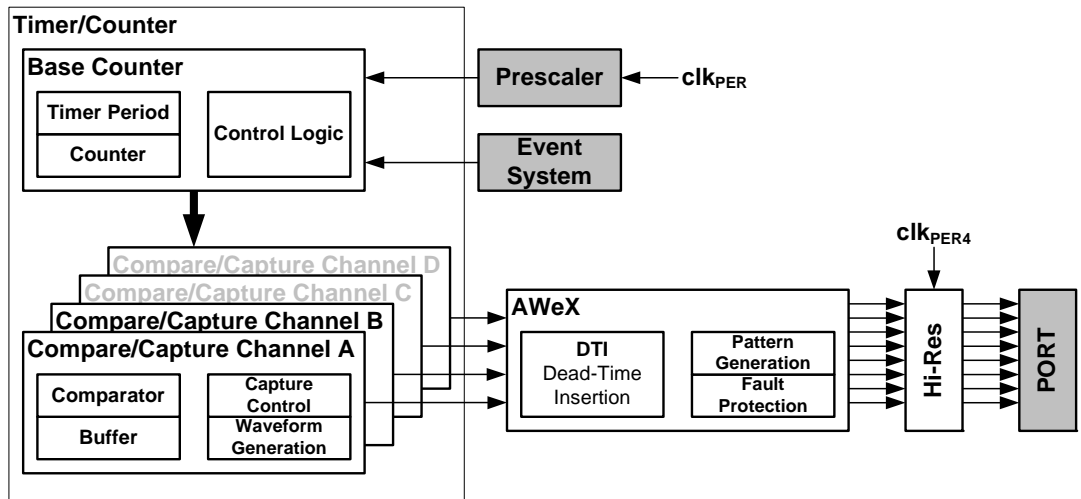
Through the Event System, any input pin or event in the microcontroller can be used to trigger input capture, hence no dedicated pins are required for this. The input capture has a noise canceller to avoid incorrect capture of the T/C, and can be used to do frequency and pulse width measurements.

A wide range of interrupt or event sources are available, including T/C Overflow, Compare match and Capture for each Compare/Capture channel in the T/C.

PORTC, PORTD and PORTE each has one Timer/Counter 0 and one Timer/Counter1. PORTF has one Timer/Counter 0. Notation of these are TCC0 (Time/Counter C0), TCC1, TCD0, TCD1, TCE0, TCE1 and TCF0, respectively.



Figure 16-1. Overview of a Timer/Counter and closely related peripherals



The Hi-Resolution Extension can be enabled to increase the waveform generation resolution by 2 bits (4x). This is available for all Timer/Counters. See ["Hi-Res - High Resolution Extension"](#) on page 35 for more details.

The Advanced Waveform Extension can be enabled to provide extra and more advanced features for the Timer/Counter. These are only available for Timer/Counter 0. See ["AWEX - Advanced Waveform Extension"](#) on page 34 for more details.

## 17. AWEX - Advanced Waveform Extension

### 17.1 Features

- Output with complementary output from each Capture channel
- Four Dead Time Insertion (DTI) Units, one for each Capture channel
- 8-bit DTI Resolution
- Separate High and Low Side Dead-Time Setting
- Double Buffered Dead-Time
- Event Controlled Fault Protection
- Single Channel Multiple Output Operation (for BLDC motor control)
- Double Buffered Pattern Generation

### 17.2 Overview

The Advanced Waveform Extension (AWEX) provides extra features to the Timer/Counter in Waveform Generation (WG) modes. The AWEX enables easy and safe implementation of for example, advanced motor control (AC, BLDC, SR, and Stepper) and power control applications.

Any WG output from a Timer/Counter 0 is split into a complimentary pair of outputs when any AWEX feature is enabled. These output pairs go through a Dead-Time Insertion (DTI) unit that enables generation of the non-inverted Low Side (LS) and inverted High Side (HS) of the WG output with dead time insertion between LS and HS switching. The DTI output will override the normal port value according to the port override setting. Optionally the final output can be inverted by using the invert I/O setting for the port pin.

The Pattern Generation unit can be used to generate a synchronized bit pattern on the port it is connected to. In addition, the waveform generator output from Compare Channel A can be distributed to, and override all port pins. When the Pattern Generator unit is enabled, the DTI unit is bypassed.

The Fault Protection unit is connected to the Event System. This enables any event to trigger a fault condition that will disable the AWEX output. Several event channels can be used to trigger fault on several different conditions.

The AWEX is available for TCC0. The notation is AWEXC.

## 18. Hi-Res - High Resolution Extension

### 18.1 Features

- Increases Waveform Generator resolution by 2-bits (4x)
- Supports Frequency, single- and dual-slope PWM operation
- Supports the AWEX when this is enabled and used for the same Timer/Counter

### 18.2 Overview

The Hi-Resolution (Hi-Res) Extension is able to increase the resolution of the waveform generation output by a factor of 4. When enabled for a Timer/Counter, the Fast Peripheral clock running at four times the CPU clock speed will be as input to the Timer/Counter.

The High Resolution Extension can also be used when an AWEX is enabled and used with a Timer/Counter.

XMEGA A3B devices have four Hi-Res Extensions that each can be enabled for each Timer/Counter pair on PORTC, PORTD, PORTE and PORTF. The notation of these are HIRESC, HIRESD, HIRESE and HIRESF, respectively.

## 19. RTC32 - 32-bit Real-Time Counter

### 19.1 Features

- 32-bit resolution
- One 32-bit Compare register
- One 32-bit Period register
- Clear Timer on overflow
- Optional Interrupt/ Event on overflow and compare match
- Selectable clock reference
  - 1.024 kHz
  - 1 Hz
- Isolated  $V_{BAT}$  power domain with dynamic switch over from/to  $V_{CC}$  power domain'

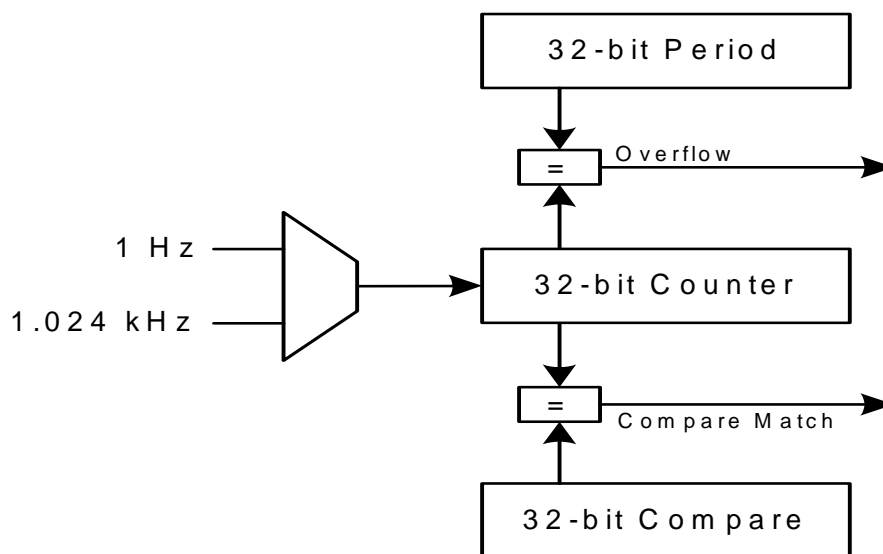
#### 19.1.1 Overview

The 32-bit Real Time Counter (RTC) is a 32-bit counter, counting reference clock cycles and giving an event and/or an interrupt request when it reaches a configurable compare and/or top value. The reference clock is generated from a high accuracy 32.768 kHz crystal, and the design is optimized for low power consumption. The RTC typically operate in low power sleep modes, keeping track of time and waking up the device at regular intervals.

The RTC input clock can be taken from a 1.024 kHz or 1 Hz prescaled output from the 32.768 kHz reference clock. The RTC will give a compare interrupt request and/or event when the counter value equals the Compare register value. The RTC will give an overflow interrupt request and/or event when the counter value equals the Period register value. Counter overflow will also reset the counter value to zero.

The 32-bit Real Time Counter (RTC) must be clocked from the 1 Hz output of a 32.768 kHz crystal oscillator connected between the TOSC1 and TOSC2 pins when running from  $V_{BAT}$ . For more details on the 32-bit RTC refer to the “32-bit Real Time Counter” section in the XMEGA A Manual.

**Figure 19-1.** Real Time Counter Overview



## 20. TWI - Two Wire Interface

### 20.1 Features

- Two Identical TWI peripherals
- Simple yet Powerful and Flexible Communication Interface
- Both Master and Slave Operation Supported
- Device can Operate as Transmitter or Receiver
- 7-bit Address Space Allows up to 128 Different Slave Addresses
- Multi-master Arbitration Support
- Up to 400 kHz Data Transfer Speed
- Slew-rate Limited Output Drivers
- Noise Suppression Circuitry Rejects Spikes on Bus Lines
- Fully Programmable Slave Address with General Call Support
- Address Recognition Causes Wake-up when in Sleep Mode
- I<sup>2</sup>C and System Management Bus (SMBus) compatible

### 20.2 Overview

The Two-Wire Interface (TWI) is a bi-directional wired-AND bus with only two lines, the clock (SCL) line and the data (SDA) line. The protocol makes it possible to interconnect up to 128 individually addressable devices. Since it is a multi-master bus, one or more devices capable of taking control of the bus can be connected.

The only external hardware needed to implement the bus is a single pull-up resistor for each of the TWI bus lines. Mechanisms for resolving bus contention are inherent in the TWI protocol.

PORTC and PORTE, each has one TWI. Notation of these peripherals are TWIC, and TWIE, respectively.

## **21. SPI - Serial Peripheral Interface**

### **21.1 Features**

- **Two Identical SPI peripherals**
- **Full-duplex, Three-wire Synchronous Data Transfer**
- **Master or Slave Operation**
- **LSB First or MSB First Data Transfer**
- **Seven Programmable Bit Rates**
- **End of Transmission Interrupt Flag**
- **Write Collision Flag Protection**
- **Wake-up from Idle Mode**
- **Double Speed (CK/2) Master SPI Mode**

### **21.2 Overview**

The Serial Peripheral Interface (SPI) allows high-speed full-duplex, synchronous data transfer between different devices. Devices can communicate using a master-slave scheme, and data is transferred both to and from the devices simultaneously.

PORTC and PORTD each has one SPI. Notation of these peripherals are SPIC and SPID, respectively.

## 22. USART

### 22.1 Features

- Six Identical USART peripherals
- Full Duplex Operation (Independent Serial Receive and Transmit Registers)
- Asynchronous or Synchronous Operation
- Master or Slave Clocked Synchronous Operation
- High-resolution Arithmetic Baud Rate Generator
- Supports Serial Frames with 5, 6, 7, 8, or 9 Data Bits and 1 or 2 Stop Bits
- Odd or Even Parity Generation and Parity Check Supported by Hardware
- Data OverRun Detection
- Framing Error Detection
- Noise Filtering Includes False Start Bit Detection and Digital Low Pass Filter
- Three Separate Interrupts on TX Complete, TX Data Register Empty and RX Complete
- Multi-processor Communication Mode
- Double Speed Asynchronous Communication Mode
- Master SPI mode for SPI communication
- IrDA support through the IRCOM module

### 22.2 Overview

The Universal Synchronous and Asynchronous serial Receiver and Transmitter (USART) is a highly flexible serial communication module. The USART supports full duplex communication, and both asynchronous and clocked synchronous operation. The USART can also be set in Master SPI mode to be used for SPI communication.

Communication is frame based, and the frame format can be customized to support a wide range of standards. The USART is buffered in both direction, enabling continued data transmission without any delay between frames. There are separate interrupt vectors for receive and transmit complete, enabling fully interrupt driven communication. Frame error and buffer overflow are detected in hardware and indicated with separate status flags. Even or odd parity generation and parity check can also be enabled.

One USART can use the IRCOM module to support IrDA 1.4 physical compliant pulse modulation and demodulation for baud rates up to 115.2 kbps.

PORTC and PORTD each has two USARTs, while PORTE and PORTF each has one USART. Notation of these peripherals are USARTC0, USARTC1, USARTE0 and USARTE1, respectively.

## 23. IRCOM - IR Communication Module

### 23.1 Features

- Pulse modulation/demodulation for infrared communication
- Compatible to IrDA 1.4 physical for baud rates up to 115.2 kbps
- Selectable pulse modulation scheme
  - 3/16 of baud rate period
  - Fixed pulse period, 8-bit programmable
  - Pulse modulation disabled
- Built in filtering
- Can be connected to and used by one USART at a time

### 23.2 Overview

XMEGA A3B contains an Infrared Communication Module (IRCOM) for IrDA communication with baud rates up to 115.2 kbps. This supports three modulation schemes: 3/16 of baud rate period, fixed programmable pulse time based on the Peripheral Clock speed, or pulse modulation disabled. There is one IRCOM available which can be connected to any USART to enable infrared pulse coding/decoding for that USART.



## 24. Crypto Engine

### 24.1 Features

- Data Encryption Standard (DES) CPU instruction
- Advanced Encryption Standard (AES) Crypto module
- DES Instruction
  - Encryption and Decryption
  - Single-cycle DES instruction
  - Encryption/Decryption in 16 clock cycles per 8-byte block
- AES Crypto Module
  - Encryption and Decryption
  - Support 128-bit keys
  - Support XOR data load mode to the State memory for Cipher Block Chaining
  - Encryption/Decryption in 375 clock cycles per 16-byte block

### 24.2 Overview

The Advanced Encryption Standard (AES) and Data Encryption Standard (DES) are two commonly used encryption standards. These are supported through an AES peripheral module and a DES CPU instruction. All communication interfaces and the CPU can optionally use AES and DES encrypted communication and data storage.

DES is supported by a DES instruction in the AVR XMEGA CPU. The 8-byte key and 8-byte data blocks must be loaded into the Register file, and then DES must be executed 16 times to encrypt/decrypt the data block.

The AES Crypto Module encrypts and decrypts 128-bit data blocks with the use of a 128-bit key. The key and data must be loaded into the key and state memory in the module before encryption/decryption is started. It takes 375 peripheral clock cycles before the encryption/decryption is done and decrypted/encrypted data can be read out, and an optional interrupt can be generated. The AES Crypto Module also has DMA support with transfer triggers when encryption/decryption is done and optional auto-start of encryption/decryption when the state memory is fully loaded.

## 25. ADC - 12-bit Analog to Digital Converter

### 25.1 Features

- Two ADCs with 12-bit resolution
- 2 Msps sample rate for each ADC
- Signed and Unsigned conversions
- 4 result registers with individual input channel control for each ADC
- 8 single ended inputs for each ADC
- 8x4 differential inputs for each ADC
- 4 internal inputs:
  - Integrated Temperature Sensor
  - DAC Output
  - VCC voltage divided by 10
  - Bandgap voltage
- Software selectable gain of 2, 4, 8, 16, 32 or 64
- Software selectable resolution of 8- or 12-bit.
- Internal or External Reference selection
- Event triggered conversion for accurate timing
- DMA transfer of conversion results
- Interrupt/Event on compare result

### 25.2 Overview

XMEGA A3B devices have two Analog to Digital Converters (ADC), see [Figure 25-1 on page 43](#). The two ADC modules can be operated simultaneously, individually or synchronized.

The ADC converts analog voltages to digital values. The ADC has 12-bit resolution and is capable of converting up to 2 million samples per second. The input selection is flexible, and both single-ended and differential measurements can be done. For differential measurements an optional gain stage is available to increase the dynamic range. In addition several internal signal inputs are available. The ADC can provide both signed and unsigned results.

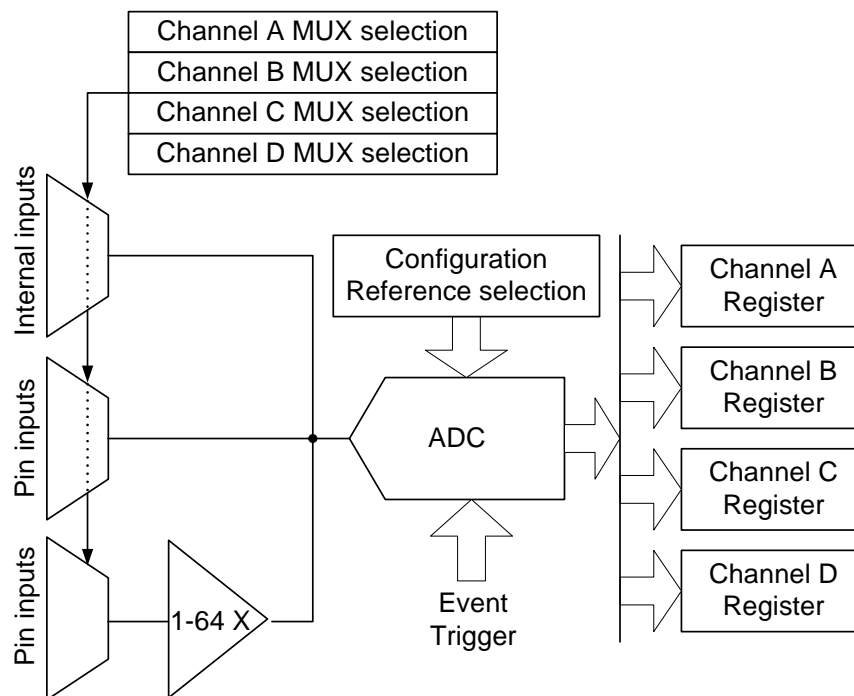
This is a pipeline ADC. A pipeline ADC consists of several consecutive stages, where each stage convert one part of the result. The pipeline design enables high sample rate at low clock speeds, and remove limitations on samples speed versus propagation delay. This also means that a new analog voltage can be sampled and a new ADC measurement started while other ADC measurements are ongoing.

ADC measurements can either be started by application software or an incoming event from another peripheral in the device. Four different result registers with individual input selection (MUX selection) are provided to make it easier for the application to keep track of the data. Each result register and MUX selection pair is referred to as an ADC Channel. It is possible to use DMA to move ADC results directly to memory or peripherals when conversions are done.

Both internal and external analog reference voltages can be used. An accurate internal 1.0V reference is available.

An integrated temperature sensor is available and the output from this can be measured with the ADC. The output from the DAC, VCC/10 and the Bandgap voltage can also be measured by the ADC.

Figure 25-1. ADC overview



Each ADC has four MUX selection registers with a corresponding result register. This means that four channels can be sampled within 1.5  $\mu\text{s}$  without any intervention by the application other than starting the conversion. The results will be available in the result registers.

The ADC may be configured for 8- or 12-bit result, reducing the minimum conversion time (propagation delay) from 3.5  $\mu\text{s}$  for 12-bit to 2.5  $\mu\text{s}$  for 8-bit result.

ADC conversion results are provided left- or right adjusted with optional '1' or '0' padding. This eases calculation when the result is represented as a signed integer (signed 16-bit number).

PORTA and PORTB each have one ADC. Notation of these peripherals are ADCA and ADCB, respectively.

## 26. DAC - 12-bit Digital to Analog Converter

### 26.1 Features

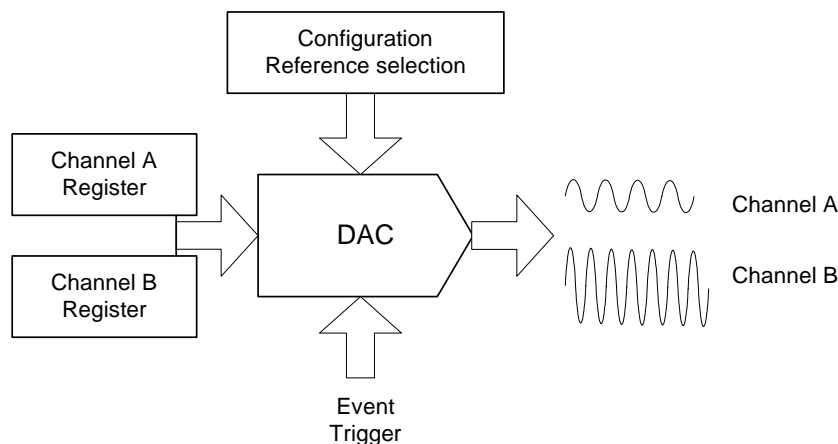
- One DAC with 12-bit resolution
- Up to 1 Msps conversion rate for each DAC
- Flexible conversion range
- Multiple trigger sources
- 1 continuous output or 2 Sample and Hold (S/H) outputs for each DAC
- Built-in offset and gain calibration
- High drive capabilities
- Low Power Mode

### 26.2 Overview

The XMEGA A3B devices features one two-channel, 12-bit, 1 Msps DACs with built-in offset and gain calibration, see [Figure 26-1 on page 44](#).

A DAC converts a digital value into an analog signal. The DAC may use an internal 1.0 voltage as the upper limit for conversion, but it is also possible to use the supply voltage or any applied voltage in-between. The external reference input is shared with the ADC reference input.

**Figure 26-1.** DAC overview



The DAC has one continuous output with high drive capabilities for both resistive and capacitive loads. It is also possible to split the continuous time channel into two Sample and Hold (S/H) channels, each with separate data conversion registers.

A DAC conversion may be started from the application software by writing the data conversion registers. The DAC can also be configured to do conversions triggered by the Event System to have regular timing, independent of the application software. DMA may be used for transferring data from memory locations to DAC data registers.

The DAC has a built-in calibration system to reduce offset and gain error when loading with a calibration value from software.

PORTB has one DAC. Notation of this is DACB.

## 27. AC - Analog Comparator

### 27.1 Features

- **Four Analog Comparators**
- **Selectable Power vs. Speed**
- **Selectable hysteresis**
  - 0, 20 mV, 50 mV
- **Analog Comparator output available on pin**
- **Flexible Input Selection**
  - All pins on the port
  - Output from the DAC
  - Bandgap reference voltage.
  - Voltage scaler that can perform a 64-level scaling of the internal VCC voltage.
- **Interrupt and event generation on**
  - Rising edge
  - Falling edge
  - Toggle
- **Window function interrupt and event generation on**
  - Signal above window
  - Signal inside window
  - Signal below window

### 27.2 Overview

XMEGA A3B features four Analog Comparators (AC). An Analog Comparator compares two voltages, and the output indicates which input is largest. The Analog Comparator may be configured to give interrupt requests and/or events upon several different combinations of input change.

Both hysteresis and propagation delays may be adjusted in order to find the optimal operation for each application.

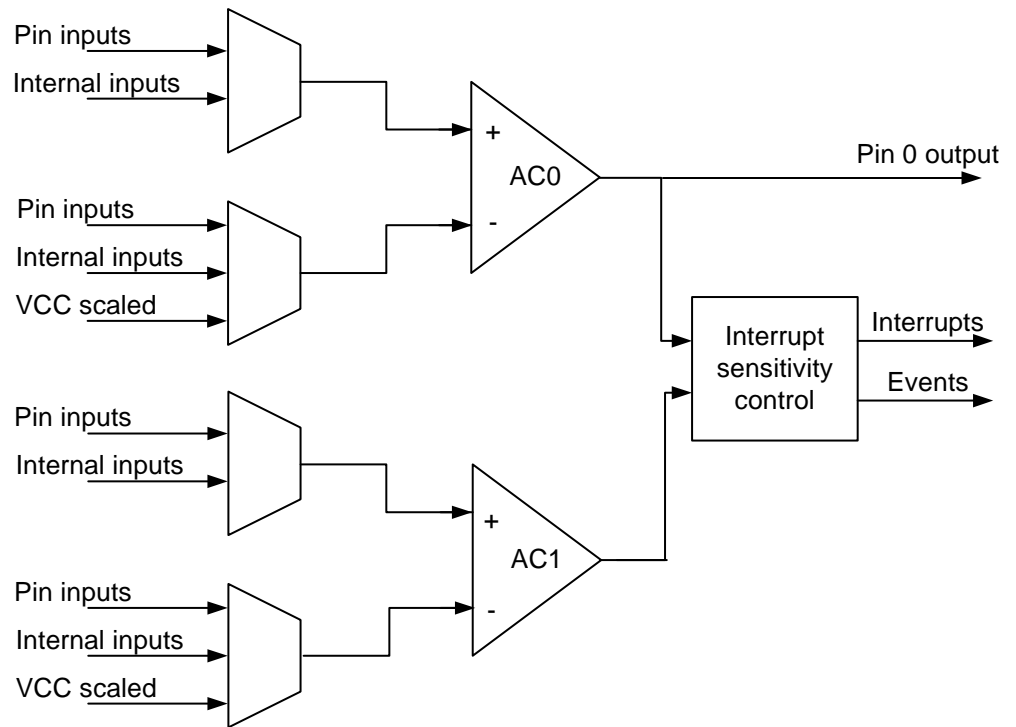
A wide range of input selection is available, both external pins and several internal signals can be used.

The Analog Comparators are always grouped in pairs (AC0 and AC1) on each analog port. They have identical behavior but separate control registers.

Optionally, the state of the comparator is directly available on a pin.

PORTA and PORTB each have one AC pair. Notations are ACA and ACB, respectively.

Figure 27-1. Analog comparator overview



## 27.3 Input Selection

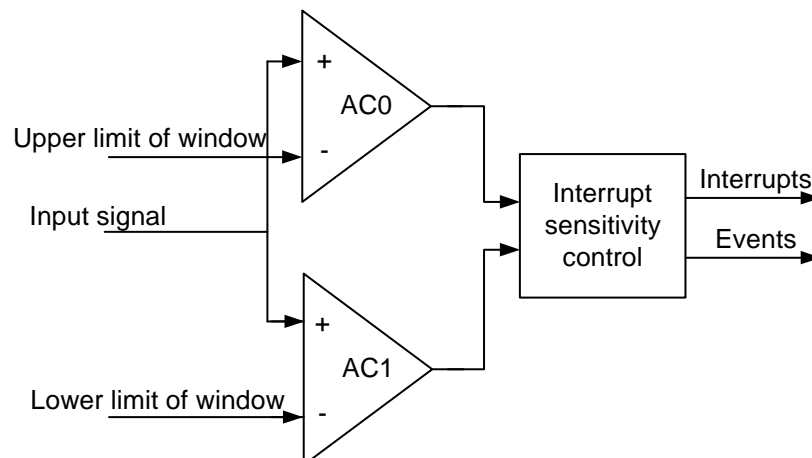
The Analog comparators have a very flexible input selection and the two comparators grouped in a pair may be used to realize a window function. One pair of analog comparators is shown in [Figure 27-1 on page 46](#).

- **Input selection from pin**
  - Pin 0, 1, 2, 3, 4, 5, 6 selectable to positive input of analog comparator
  - Pin 0, 1, 3, 5, 7 selectable to negative input of analog comparator
- **Internal signals available on positive analog comparator inputs**
  - Output from 12-bit DAC
- **Internal signals available on negative analog comparator inputs**
  - 64-level scaler of the VCC, available on negative analog comparator input
  - Bandgap voltage reference
  - Output from 12-bit DAC

## 27.4 Window Function

The window function is realized by connecting the external inputs of the two analog comparators in a pair as shown in [Figure 27-2](#).

**Figure 27-2.** Analog comparator window function



## 28. OCD - On-chip Debug

### 28.1 Features

- Complete Program Flow Control
  - Go, Stop, Reset, Step into, Step over, Step out, Run-to-Cursor
- Debugging on C and high-level language source code level
- Debugging on Assembler and disassembler level
- 1 dedicated program address or source level breakpoint for AVR Studio / debugger
- 4 Hardware Breakpoints
- Unlimited Number of User Program Breakpoints
- Unlimited Number of User Data Breakpoints, with break on:
  - Data location read, write or both read and write
  - Data location content equal or not equal to a value
  - Data location content is greater or less than a value
  - Data location content is within or outside a range
  - Bits of a data location are equal or not equal to a value
- Non-Intrusive Operation
  - No hardware or software resources in the device are used
- High Speed Operation
  - No limitation on debug/programming clock frequency versus system clock frequency

### 28.2 Overview

The XMEGA A3B has a powerful On-Chip Debug (OCD) system that - in combination with Atmel's development tools - provides all the necessary functions to debug an application. It has support for program and data breakpoints, and can debug an application from C and high level language source code level, as well as assembler and disassembler level. It has full Non-Intrusive Operation and no hardware or software resources in the device are used. The ODC system is accessed through an external debugging tool which connects to the JTAG or PDI physical interfaces. Refer to "[Program and Debug Interfaces](#)" on page 49.



## **29. Program and Debug Interfaces**

### **29.1 Features**

- **PDI - Program and Debug Interface (Atmel proprietary 2-pin interface)**
- **JTAG Interface (IEEE std. 1149.1 compliant)**
- **Boundary-scan capabilities according to the IEEE Std. 1149.1 (JTAG)**
- **Access to the OCD system**
- **Programming of Flash, EEPROM, Fuses and Lock Bits**

### **29.2 Overview**

The programming and debug facilities are accessed through the JTAG and PDI physical interfaces. The PDI physical uses one dedicated pin together with the Reset pin, and no general purpose pins are used. JTAG uses four general purpose pins on PORTB.

### **29.3 JTAG interface**

The JTAG physical layer handles the basic low-level serial communication over four I/O lines named TMS, TCK, TDI, and TDO. It complies to the IEEE Std. 1149.1 for test access port and boundary scan.

### **29.4 PDI - Program and Debug Interface**

The PDI is an Atmel proprietary protocol for communication between the microcontroller and Atmel's development tools.

## 30. Pinout and Pin Functions

The pinout of XMEGA A3B is shown in "Pinout/Block Diagram" on page 3. In addition to general I/O functionality, each pin may have several functions. This will depend on which peripheral is enabled and connected to the actual pin. Only one of the alternate pin functions can be used at time.

### 30.1 Alternate Pin Function Description

The tables below shows the notation for all pin functions available and describes its function.

#### 30.1.1 Operation/Power Supply

VCC	Digital supply voltage
AVCC	Analog supply voltage
VBAT	Battery Backup Module supply voltage
GND	Ground

#### 30.1.2 Port Interrupt functions

SYNC	Port pin with full synchronous and limited asynchronous interrupt function
ASYN	Port pin with full synchronous and full asynchronous interrupt function

#### 30.1.3 Analog functions

ACn	Analog Comparator input pin n
AC0OUT	Analog Comparator 0 Output
ADCn	Analog to Digital Converter input pin n
DACn	Digital to Analog Converter output pin n
AREF	Analog Reference input pin

#### 30.1.4 Timer/Counter and AWEX functions

OCnx	Output Compare Channel x for Timer/Counter n
$\overline{OCn}$	Inverted Output Compare Channel x for Timer/Counter n
OCnxLS	Output Compare Channel x Low Side for Timer/Counter n
OCnxHS	Output Compare Channel x High Side for Timer/Counter n

#### 30.1.5 Communication functions

SCL	Serial Clock for TWI
SDA	Serial Data for TWI
SCLIN	Serial Clock In for TWI when external driver interface is enabled
SCLOUT	Serial Clock Out for TWI when external driver interface is enabled

SDAIN	Serial Data In for TWI when external driver interface is enabled
SDAOUT	Serial Data Out for TWI when external driver interface is enabled
XCKn	Transfer Clock for USART n
RxDn	Receiver Data for USART n
TxDn	Transmitter Data for USART n
$\overline{SS}$	Slave Select for SPI
MOSI	Master Out Slave In for SPI
MISO	Master In Slave Out for SPI
SCK	Serial Clock for SPI

### 30.1.6 Oscillators, Clock and Event

TOSCn	Timer Oscillator pin n
XTALn	Input/Output for inverting Oscillator pin n
CLKOUT	Peripheral Clock Output
EVOU0	Event Channel 0 Output

### 30.1.7 Debug/System functions

$\overline{RESET}$	Reset pin
PDI_CLK	Program and Debug Interface Clock pin
PDI_DATA	Program and Debug Interface Data pin
TCK	JTAG Test Clock
TDI	JTAG Test Data In
TDO	JTAG Test Data Out
TMS	JTAG Test Mode Select

## 30.2 Alternate Pin Functions

The tables below show the primary/default function for each pin on a port in the first column, the pin number in the second column, and then all alternate pin functions in the remaining columns. The head row shows what peripheral that enable and use the alternate pin functions.

**Table 30-1. Port A - Alternate functions**

PORT A	PIN #	INTERRUPT	ADCA POS	ADCA NEG	ADCA GAINPOS	ADCA GAINNEG	ACA POS	ACA NEG	ACA OUT	REFA
GND	60									
AVCC	61									
PA0	62	SYNC	ADC0	ADC0	ADC0		AC0	AC0		AREF
PA1	63	SYNC	ADC1	ADC1	ADC1		AC1	AC1		
PA2	64	SYNC/ASYNC	ADC2	ADC2	ADC2		AC2			
PA3	1	SYNC	ADC3	ADC3	ADC3		AC3	AC3		
PA4	2	SYNC	ADC4		ADC4	ADC4	AC4			
PA5	3	SYNC	ADC5		ADC5	ADC5	AC5	AC5		
PA6	4	SYNC	ADC6		ADC6	ADC6	AC6			
PA7	5	SYNC	ADC7		ADC7	ADC7		AC7	AC0OUT	

**Table 30-2. Port B - Alternate functions**

PORT B	PIN #	INTERRUPT	ADCB POS	ADCB NEG	ADCB GAINPOS	ADCB GAINNEG	ACB POS	ACB NEG	ACB OUT	DACB	REFB	JTAG
PB0	6	SYNC	ADC0	ADC0	ADC0		AC0	AC0			AREF	
PB1	7	SYNC	ADC1	ADC1	ADC1		AC1	AC1				
PB2	8	SYNC/ASYNC	ADC2	ADC2	ADC2		AC2			DAC0		
PB3	9	SYNC	ADC3	ADC3	ADC3		AC3	AC3		DAC1		
PB4	10	SYNC	ADC4		ADC4	ADC4	AC4					TMS
PB5	11	SYNC	ADC5		ADC5	ADC5	AC5	AC5				TDI
PB6	12	SYNC	ADC6		ADC6	ADC6	AC6					TCK
PB7	13	SYNC	ADC7		ADC7	ADC7		AC7	AC0OUT			TDO

**Table 30-3. Port C - Alternate functions**

PORT C	PIN #	INTERRUPT	TCC0	AWEXC	TCC1	USARTC0	USARTC1	SPIC	TWIC	CLOCKOUT	EVENTOUT
GND	14										
VCC	15										
PC0	16	SYNC	OC0A	OC0ALS					SDA/SDA_IN		
PC1	17	SYNC	OC0B	OC0AHS		XCK0			SCL/SCL_IN		
PC2	18	SYNC/ASYNC	OC0C	OC0BLS		RXD0			SDA_OUT		
PC3	19	SYNC	OC0D	OC0BHS		TXD0			SCL_OUT		
PC4	20	SYNC		OC0CLS	OC1A			$\overline{SS}$			
PC5	21	SYNC		OC0CHS	OC1B		XCK1	MOSI			
PC6	22	SYNC		OC0DLS			RXD1	MISO			
PC7	23	SYNC		OC0DHS			TXD1	SCK		CLKOUT	EVOUT



**Table 30-4. Port D - Alternate functions**

PORT D	PIN #	INTERRUPT	TCD0	TCD1	USARTD0	USARTD1	SPID	CLOCKOUT	EVENTOUT
GND	24								
VCC	25								
PD0	26	SYNC	OC0A						
PD1	27	SYNC	OC0B		XCK0				
PD2	28	SYNC/ASYNC	OC0C		RXD0				
PD3	29	SYNC	OC0D		TXD0				
PD4	30	SYNC		OC1A			$\overline{SS}$		
PD5	31	SYNC		OC1B		XCK1	MOSI		
PD6	32	SYNC				RXD1	MISO		
PD7	33	SYNC				TXD1	SCK	CLKOUT	EVOUT

**Table 30-5. Port E - Alternate functions**

PORT E	PIN #	INTERRUPT	TCE0	TCE1	USARTE0	TWIE
GND	34					
VCC	35					
PE0	36	SYNC	OC0A			SDA/SDA_IN
PE1	37	SYNC	OC0B		XCK0	SCL/SCL_IN
PE2	38	SYNC/ASYNC	OC0C		RXD0	SDA_OUT
PE3	39	SYNC	OC0D		TXD0	SCL_OUT
PE4	40	SYNC		OC1A		
PE5	41	SYNC		OC1B		
TOSC2	42					
TOSC1	43					

**Table 30-6. Port F - Alternate functions**

PORT F	PIN #	INTERRUPT	TCF0	USARTF0
GND	44			
VCC	45			
PF0	46	SYNC	OC0A	
PF1	47	SYNC	OC0B	XCK0
PF2	48	SYNC/ASYNC	OC0C	RXD0
PF3	49	SYNC	OC0D	TXD0
PF4	50	SYNC	OC0A	
VBAT	51			
GND	52	SYNC		
VCC	53	SYNC		
PF6	54			
PF7	55			

**Table 30-7.** Port R- Alternate functions

PORT R	PIN #	INTERRUPT	PDI	XTAL
PDI	56		PDI_DATA	
RESET	57		PDI_CLK	
PRO	58	SYNC		XTAL2
PR1	59	SYNC		XTAL1

**Table 30-8.** ATxmega256A3B Boundary Scan Order

Bit Number	Signal Name	Module
149	PQ3.Bidir	PORT Q
148	PQ3.Control	
147	PQ2.Bidir	
146	PQ2.Control	
145	PQ1.Bidir	
144	PQ1.Control	
143	PQ0.Bidir	
142	PQ0.Control	
141	PK7.Bidir	PORT K
140	PK7.Control	
139	PK6.Bidir	
138	PK6.Control	
137	PK5.Bidir	
136	PK5.Control	
135	PK4.Bidir	
134	PK4.Control	
133	PK3.Bidir	
132	PK3.Control	
131	PK2.Bidir	
130	PK2.Control	
129	PK1.Bidir	
128	PK1.Control	
127	PK0.Bidir	PORT J
126	PK0.Control	
125	PJ7.Bidir	
124	PJ7.Control	
123	PJ6.Bidir	
122	PJ6.Control	
121	PJ5.Bidir	
120	PJ5.Control	
119	PJ4.Bidir	
118	PJ4.Control	
117	PJ3.Bidir	
116	PJ3.Control	
115	PJ2.Bidir	
114	PJ2.Control	
113	PJ1.Bidir	
112	PJ1.Control	
111	PJ0.Bidir	
110	PJ0.Control	

Bit Number	Signal Name	Module
109	PH7.Bidir	PORT H
108	PH7.Control	
107	PH6.Bidir	
106	PH6.Control	
105	PH5.Bidir	
104	PH5.Control	
103	PH4.Bidir	
102	PH4.Control	
101	PH3.Bidir	
100	PH3.Control	
99	PH2.Bidir	
98	PH2.Control	
97	PH1.Bidir	
96	PH1.Control	
95	PH0.Bidir	
94	PH0.Control	
93	PF7.Bidir	PORT F
92	PF7.Control	
91	PF6.Bidir	
90	PF6.Control	
89	PF5.Bidir	
88	PF5.Control	
87	PF4.Bidir	
86	PF4.Control	
85	PF3.Bidir	
84	PF3.Control	
83	PF2.Bidir	
82	PF2.Control	
81	PF1.Bidir	
80	PF1.Control	
79	PF0.Bidir	
78	PF0.Control	
77	PE7.Bidir	PORT E
76	PE7.Control	
75	PE6.Bidir	
74	PE6.Control	
73	PE5.Bidir	
72	PE5.Control	
71	PE4.Bidir	
70	PE4.Control	
69	PE3.Bidir	
68	PE3.Control	
67	PE2.Bidir	
66	PE2.Control	
65	PE1.Bidir	
64	PE1.Control	
63	PE0.Bidir	
62	PE0.Control	
61	PD7.Bidir	PORT D
60	PD7.Control	
59	PD6.Bidir	
58	PD6.Control	
57	PD5.Bidir	
56	PD5.Control	
55	PD4.Bidir	
54	PD4.Control	
53	PD3.Bidir	
52	PD3.Control	
51	PD2.Bidir	
50	PD2.Control	
49	PD1.Bidir	
48	PD1.Control	
47	PD0.Bidir	
46	PD0.Control	

Bit Number	Signal Name	Module
45	PC7.Bidir	PORT C
44	PC7.Control	
43	PC6.Bidir	
42	PC6.Control	
41	PC5.Bidir	
40	PC5.Control	
39	PC4.Bidir	
38	PC4.Control	
37	PC3.Bidir	
36	PC3.Control	
35	PC2.Bidir	
34	PC2.Control	
33	PC1.Bidir	
32	PC1.Control	
31	PC0.Bidir	PORT B
30	PC0.Control	
29	PB3.Bidir	
28	PB3.Control	
27	PB2.Bidir	
26	PB2.Control	
25	PB1.Bidir	
24	PB1.Control	
23	PB0.Bidir	
22	PB0.Control	
21	PA7.Bidir	PORT A
20	PA7.Control	
19	PA6.Bidir	
18	PA6.Control	
17	PA5.Bidir	
16	PA5.Control	
15	PA4.Bidir	
14	PA4.Control	
13	PA3.Bidir	
12	PA3.Control	
11	PA2.Bidir	
10	PA2.Control	
9	PA1.Bidir	
8	PA1.Control	
7	PA0.Bidir	PORT R
6	PA0.Control	
5	PR1.Bidir	
4	PR1.Control	
3	PR0.Bidir	
2	PR0.Control	
1	RESET.Observe_Only	RESET
0	PDI_DATA.Observe_Only	PDI Data



## 31. Peripheral Module Address Map

The address maps show the base address for each peripheral and module in XMEGA A3B. For complete register description and summary for each peripheral module, refer to the XMEGA A Manual.

Base Address	Name	Description
0x0000	GPIO	General Purpose IO Registers
0x0010	VPORT0	Virtual Port 0
0x0014	VPORT1	Virtual Port 1
0x0018	VPORT2	Virtual Port 2
0x001C	VPORT3	Virtual Port 2
0x0030	CPU	CPU
0x0040	CLK	Clock Control
0x0048	SLEEP	Sleep Controller
0x0050	OSC	Oscillator Control
0x0060	DFLLRC32M	DFLL for the 32 MHz Internal RC Oscillator
0x0068	DFLLRC2M	DFLL for the 2 MHz RC Oscillator
0x0070	PR	Power Reduction
0x0078	RST	Reset Controller
0x0080	WDT	Watch-Dog Timer
0x0090	MCU	MCU Control
0x00A0	PMIC	Programmable Multilevel Interrupt Controller
0x00B0	PORTCFG	Port Configuration
0x00C0	AES	AES Module
0x00F0	VBAT	VBAT Battery Backup Module
0x0100	DMA	DMA Controller
0x0180	EVSYS	Event System
0x01C0	NVM	Non Volatile Memory (NVM) Controller
0x0200	ADCA	Analog to Digital Converter on port A
0x0240	ADCB	Analog to Digital Converter on port B
0x0320	DACB	Digital to Analog Converter on port B
0x0380	ACA	Analog Comparator pair on port A
0x0390	ACB	Analog Comparator pair on port B
0x0420	RTC32	32-bit Real Time Counter
0x0480	TWIC	Two Wire Interface on port C
0x04A0	TWIE	Two Wire Interface on port E
0x0600	PORTA	Port A
0x0620	PORTB	Port B
0x0640	PORTC	Port C
0x0660	PORTD	Port D
0x0680	PORTE	Port E
0x06A0	PORTF	Port F
0x07E0	PORTR	Port R
0x0800	TCC0	Timer/Counter 0 on port C
0x0840	TCC1	Timer/Counter 1 on port C
0x0880	AWEXC	Advanced Waveform Extension on port C
0x0890	HIRESC	High Resolution Extension on port C
0x08A0	USARTC0	USART 0 on port C
0x08B0	USARTC1	USART 1 on port C
0x08C0	SPIC	Serial Peripheral Interface on port C
0x08F8	IRCOM	Infrared Communication Module
0x0900	TCD0	Timer/Counter 0 on port D
0x0940	TCD1	Timer/Counter 1 on port D
0x0990	HIRESD	High Resolution Extension on port D
0x09A0	USARTD0	USART 0 on port D
0x09B0	USARTD1	USART 1 on port D
0x09C0	SPID	Serial Peripheral Interface on port D
0x0A00	TCE0	Timer/Counter 0 on port E
0x0A40	TCE1	Timer/Counter 1 on port E
0x0A80	AWEXE	Advanced Waveform Extension on port E
0x0A90	HIRESE	High Resolution Extension on port E
0x0AA0	USARTE0	USART 0 on port E
0x0B00	TCF0	Timer/Counter 0 on port F
0x0B90	HIRESF	High Resolution Extension on port F
0x0BA0	USARTF0	USART 0 on port F

## 32. Instruction Set Summary

Mnemonics	Operands	Description	Operation	Flags	#Clocks
<b>Arithmetic and Logic Instructions</b>					
ADD	Rd, Rr	Add without Carry	$Rd \leftarrow Rd + Rr$	Z,C,N,V,S,H	1
ADC	Rd, Rr	Add with Carry	$Rd \leftarrow Rd + Rr + C$	Z,C,N,V,S,H	1
ADIW	Rd, K	Add Immediate to Word	$Rd \leftarrow Rd + 1:Rd + K$	Z,C,N,V,S	2
SUB	Rd, Rr	Subtract without Carry	$Rd \leftarrow Rd - Rr$	Z,C,N,V,S,H	1
SUBI	Rd, K	Subtract Immediate	$Rd \leftarrow Rd - K$	Z,C,N,V,S,H	1
SBC	Rd, Rr	Subtract with Carry	$Rd \leftarrow Rd - Rr - C$	Z,C,N,V,S,H	1
SBCI	Rd, K	Subtract Immediate with Carry	$Rd \leftarrow Rd - K - C$	Z,C,N,V,S,H	1
SBIW	Rd, K	Subtract Immediate from Word	$Rd + 1:Rd \leftarrow Rd + 1:Rd - K$	Z,C,N,V,S	2
AND	Rd, Rr	Logical AND	$Rd \leftarrow Rd \bullet Rr$	Z,N,V,S	1
ANDI	Rd, K	Logical AND with Immediate	$Rd \leftarrow Rd \bullet K$	Z,N,V,S	1
OR	Rd, Rr	Logical OR	$Rd \leftarrow Rd \vee Rr$	Z,N,V,S	1
ORI	Rd, K	Logical OR with Immediate	$Rd \leftarrow Rd \vee K$	Z,N,V,S	1
EOR	Rd, Rr	Exclusive OR	$Rd \leftarrow Rd \oplus Rr$	Z,N,V,S	1
COM	Rd	One's Complement	$Rd \leftarrow \$FF - Rd$	Z,C,N,V,S	1
NEG	Rd	Two's Complement	$Rd \leftarrow \$00 - Rd$	Z,C,N,V,S,H	1
SBR	Rd,K	Set Bit(s) in Register	$Rd \leftarrow Rd \vee K$	Z,N,V,S	1
CBR	Rd,K	Clear Bit(s) in Register	$Rd \leftarrow Rd \bullet (\$FFh - K)$	Z,N,V,S	1
INC	Rd	Increment	$Rd \leftarrow Rd + 1$	Z,N,V,S	1
DEC	Rd	Decrement	$Rd \leftarrow Rd - 1$	Z,N,V,S	1
TST	Rd	Test for Zero or Minus	$Rd \leftarrow Rd \bullet Rd$	Z,N,V,S	1
CLR	Rd	Clear Register	$Rd \leftarrow Rd \oplus Rd$	Z,N,V,S	1
SER	Rd	Set Register	$Rd \leftarrow \$FF$	None	1
MUL	Rd,Rr	Multiply Unsigned	$R1:R0 \leftarrow Rd \times Rr$ (UU)	Z,C	2
MULS	Rd,Rr	Multiply Signed	$R1:R0 \leftarrow Rd \times Rr$ (SS)	Z,C	2
MULSU	Rd,Rr	Multiply Signed with Unsigned	$R1:R0 \leftarrow Rd \times Rr$ (SU)	Z,C	2
FMUL	Rd,Rr	Fractional Multiply Unsigned	$R1:R0 \leftarrow Rd \times Rr \ll 1$ (UU)	Z,C	2
FMULS	Rd,Rr	Fractional Multiply Signed	$R1:R0 \leftarrow Rd \times Rr \ll 1$ (SS)	Z,C	2
FMULSU	Rd,Rr	Fractional Multiply Signed with Unsigned	$R1:R0 \leftarrow Rd \times Rr \ll 1$ (SU)	Z,C	2
DES	K	Data Encryption	if (H = 0) then R15:R0 $\leftarrow$ Encrypt(R15:R0, K) else if (H = 1) then R15:R0 $\leftarrow$ Decrypt(R15:R0, K)		1/2
<b>Branch Instructions</b>					
RJMP	k	Relative Jump	$PC \leftarrow PC + k + 1$	None	2
IJMP		Indirect Jump to (Z)	$PC(15:0) \leftarrow Z,$ $PC(21:16) \leftarrow 0$	None	2
EIJMP		Extended Indirect Jump to (Z)	$PC(15:0) \leftarrow Z,$ $PC(21:16) \leftarrow EIND$	None	2
JMP	k	Jump	$PC \leftarrow k$	None	3
RCALL	k	Relative Call Subroutine	$PC \leftarrow PC + k + 1$	None	2 / 3 <sup>(1)</sup>
ICALL		Indirect Call to (Z)	$PC(15:0) \leftarrow Z,$ $PC(21:16) \leftarrow 0$	None	2 / 3 <sup>(1)</sup>
EICALL		Extended Indirect Call to (Z)	$PC(15:0) \leftarrow Z,$ $PC(21:16) \leftarrow EIND$	None	3 <sup>(1)</sup>

Mnemonics	Operands	Description	Operation	Flags	#Clocks
CALL	k	call Subroutine	PC ← k	None	3 / 4 <sup>(1)</sup>
RET		Subroutine Return	PC ← STACK	None	4 / 5 <sup>(1)</sup>
RETI		Interrupt Return	PC ← STACK	I	4 / 5 <sup>(1)</sup>
CPSE	Rd,Rr	Compare, Skip if Equal	if (Rd = Rr) PC ← PC + 2 or 3	None	1 / 2 / 3
CP	Rd,Rr	Compare	Rd - Rr	Z,C,N,V,S,H	1
CPC	Rd,Rr	Compare with Carry	Rd - Rr - C	Z,C,N,V,S,H	1
CPI	Rd,K	Compare with Immediate	Rd - K	Z,C,N,V,S,H	1
SBRC	Rr, b	Skip if Bit in Register Cleared	if (Rr(b) = 0) PC ← PC + 2 or 3	None	1 / 2 / 3
SBRS	Rr, b	Skip if Bit in Register Set	if (Rr(b) = 1) PC ← PC + 2 or 3	None	1 / 2 / 3
SBIC	A, b	Skip if Bit in I/O Register Cleared	if (I/O(A,b) = 0) PC ← PC + 2 or 3	None	2 / 3 / 4
SBIS	A, b	Skip if Bit in I/O Register Set	If (I/O(A,b) = 1) PC ← PC + 2 or 3	None	2 / 3 / 4
BRBS	s, k	Branch if Status Flag Set	if (SREG(s) = 1) then PC ← PC + k + 1	None	1 / 2
BRBC	s, k	Branch if Status Flag Cleared	if (SREG(s) = 0) then PC ← PC + k + 1	None	1 / 2
BREQ	k	Branch if Equal	if (Z = 1) then PC ← PC + k + 1	None	1 / 2
BRNE	k	Branch if Not Equal	if (Z = 0) then PC ← PC + k + 1	None	1 / 2
BRCS	k	Branch if Carry Set	if (C = 1) then PC ← PC + k + 1	None	1 / 2
BRCC	k	Branch if Carry Cleared	if (C = 0) then PC ← PC + k + 1	None	1 / 2
BRSH	k	Branch if Same or Higher	if (C = 0) then PC ← PC + k + 1	None	1 / 2
BRLO	k	Branch if Lower	if (C = 1) then PC ← PC + k + 1	None	1 / 2
BRMI	k	Branch if Minus	if (N = 1) then PC ← PC + k + 1	None	1 / 2
BRPL	k	Branch if Plus	if (N = 0) then PC ← PC + k + 1	None	1 / 2
BRGE	k	Branch if Greater or Equal, Signed	if (N ⊕ V = 0) then PC ← PC + k + 1	None	1 / 2
BRLT	k	Branch if Less Than, Signed	if (N ⊕ V = 1) then PC ← PC + k + 1	None	1 / 2
BRHS	k	Branch if Half Carry Flag Set	if (H = 1) then PC ← PC + k + 1	None	1 / 2
BRHC	k	Branch if Half Carry Flag Cleared	if (H = 0) then PC ← PC + k + 1	None	1 / 2
BRTS	k	Branch if T Flag Set	if (T = 1) then PC ← PC + k + 1	None	1 / 2
BRTC	k	Branch if T Flag Cleared	if (T = 0) then PC ← PC + k + 1	None	1 / 2
BRVS	k	Branch if Overflow Flag is Set	if (V = 1) then PC ← PC + k + 1	None	1 / 2
BRVC	k	Branch if Overflow Flag is Cleared	if (V = 0) then PC ← PC + k + 1	None	1 / 2
BRIE	k	Branch if Interrupt Enabled	if (I = 1) then PC ← PC + k + 1	None	1 / 2
BRID	k	Branch if Interrupt Disabled	if (I = 0) then PC ← PC + k + 1	None	1 / 2
<b>Data Transfer Instructions</b>					
MOV	Rd, Rr	Copy Register	Rd ← Rr	None	1
MOVW	Rd, Rr	Copy Register Pair	Rd+1:Rd ← Rr+1:Rr	None	1
LDI	Rd, K	Load Immediate	Rd ← K	None	1
LDS	Rd, k	Load Direct from data space	Rd ← (k)	None	2 <sup>(1)(2)</sup>
LD	Rd, X	Load Indirect	Rd ← (X)	None	1 <sup>(1)(2)</sup>
LD	Rd, X+	Load Indirect and Post-Increment	Rd ← (X) X ← X + 1	None	1 <sup>(1)(2)</sup>
LD	Rd, -X	Load Indirect and Pre-Decrement	X ← X - 1, Rd ← (X) ← (X)	None	2 <sup>(1)(2)</sup>
LD	Rd, Y	Load Indirect	Rd ← (Y) ← (Y)	None	1 <sup>(1)(2)</sup>
LD	Rd, Y+	Load Indirect and Post-Increment	Rd ← (Y) Y ← Y + 1	None	1 <sup>(1)(2)</sup>

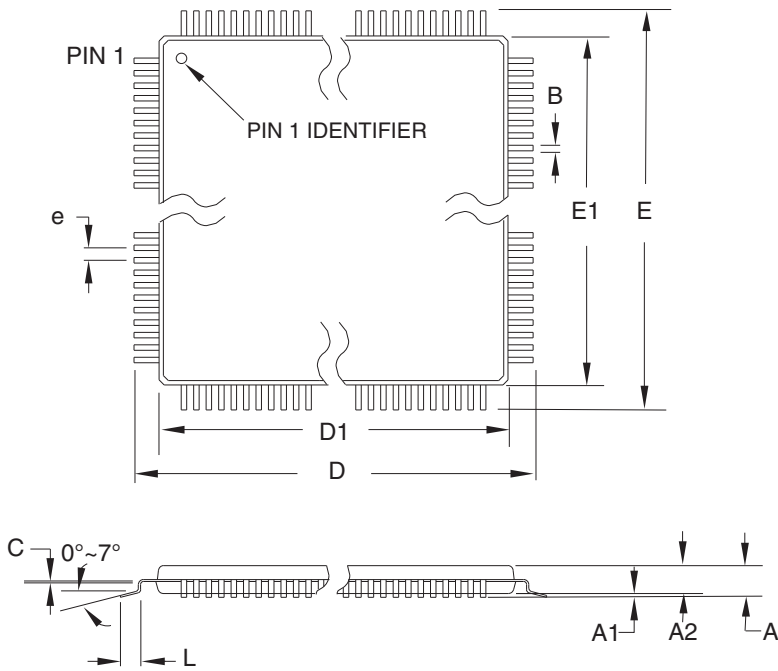
Mnemonics	Operands	Description	Operation	Flags	#Clocks
LD	Rd, -Y	Load Indirect and Pre-Decrement	Y ← Y - 1 Rd ← (Y)	None	2 <sup>(1)(2)</sup>
LDD	Rd, Y+q	Load Indirect with Displacement	Rd ← (Y + q)	None	2 <sup>(1)(2)</sup>
LD	Rd, Z	Load Indirect	Rd ← (Z)	None	1 <sup>(1)(2)</sup>
LD	Rd, Z+	Load Indirect and Post-Increment	Rd ← (Z), Z ← Z+1	None	1 <sup>(1)(2)</sup>
LD	Rd, -Z	Load Indirect and Pre-Decrement	Z ← Z - 1, Rd ← (Z)	None	2 <sup>(1)(2)</sup>
LDD	Rd, Z+q	Load Indirect with Displacement	Rd ← (Z + q)	None	2 <sup>(1)(2)</sup>
STS	k, Rr	Store Direct to Data Space	(k) ← Rr	None	2 <sup>(1)</sup>
ST	X, Rr	Store Indirect	(X) ← Rr	None	1 <sup>(1)</sup>
ST	X+, Rr	Store Indirect and Post-Increment	(X) ← Rr, X ← X + 1	None	1 <sup>(1)</sup>
ST	-X, Rr	Store Indirect and Pre-Decrement	X ← X - 1, (X) ← Rr	None	2 <sup>(1)</sup>
ST	Y, Rr	Store Indirect	(Y) ← Rr	None	1 <sup>(1)</sup>
ST	Y+, Rr	Store Indirect and Post-Increment	(Y) ← Rr, Y ← Y + 1	None	1 <sup>(1)</sup>
ST	-Y, Rr	Store Indirect and Pre-Decrement	Y ← Y - 1, (Y) ← Rr	None	2 <sup>(1)</sup>
STD	Y+q, Rr	Store Indirect with Displacement	(Y + q) ← Rr	None	2 <sup>(1)</sup>
ST	Z, Rr	Store Indirect	(Z) ← Rr	None	1 <sup>(1)</sup>
ST	Z+, Rr	Store Indirect and Post-Increment	(Z) ← Rr, Z ← Z + 1	None	1 <sup>(1)</sup>
ST	-Z, Rr	Store Indirect and Pre-Decrement	Z ← Z - 1	None	2 <sup>(1)</sup>
STD	Z+q,Rr	Store Indirect with Displacement	(Z + q) ← Rr	None	2 <sup>(1)</sup>
LPM		Load Program Memory	R0 ← (Z)	None	3
LPM	Rd, Z	Load Program Memory	Rd ← (Z)	None	3
LPM	Rd, Z+	Load Program Memory and Post-Increment	Rd ← (Z), Z ← Z + 1	None	3
ELPM		Extended Load Program Memory	R0 ← (RAMPZ:Z)	None	3
ELPM	Rd, Z	Extended Load Program Memory	Rd ← (RAMPZ:Z)	None	3
ELPM	Rd, Z+	Extended Load Program Memory and Post-Increment	Rd ← (RAMPZ:Z), Z ← Z + 1	None	3
SPM		Store Program Memory	(RAMPZ:Z) ← R1:R0	None	-
SPM	Z+	Store Program Memory and Post-Increment by 2	(RAMPZ:Z) ← R1:R0, Z ← Z + 2	None	-
IN	Rd, A	In From I/O Location	Rd ← I/O(A)	None	1
OUT	A, Rr	Out To I/O Location	I/O(A) ← Rr	None	1
PUSH	Rr	Push Register on Stack	STACK ← Rr	None	1 <sup>(1)</sup>
POP	Rd	Pop Register from Stack	Rd ← STACK	None	2 <sup>(1)</sup>
<b>Bit and Bit-test Instructions</b>					
LSL	Rd	Logical Shift Left	Rd(n+1) ← Rd(n), Rd(0) ← 0, C ← Rd(7)	Z,C,N,V,H	1
LSR	Rd	Logical Shift Right	Rd(n) ← Rd(n+1), Rd(7) ← 0, C ← Rd(0)	Z,C,N,V	1

Mnemonics	Operands	Description	Operation	Flags	#Clocks
ROL	Rd	Rotate Left Through Carry	Rd(0) ← C, Rd(n+1) ← Rd(n), C ← Rd(7)	Z,C,N,V,H	1
ROR	Rd	Rotate Right Through Carry	Rd(7) ← C, Rd(n) ← Rd(n+1), C ← Rd(0)	Z,C,N,V	1
ASR	Rd	Arithmetic Shift Right	Rd(n) ← Rd(n+1), n=0..6	Z,C,N,V	1
SWAP	Rd	Swap Nibbles	Rd(3..0) ↔ Rd(7..4)	None	1
BSET	s	Flag Set	SREG(s) ← 1	SREG(s)	1
BCLR	s	Flag Clear	SREG(s) ← 0	SREG(s)	1
SBI	A, b	Set Bit in I/O Register	I/O(A, b) ← 1	None	1
CBI	A, b	Clear Bit in I/O Register	I/O(A, b) ← 0	None	1
BST	Rr, b	Bit Store from Register to T	T ← Rr(b)	T	1
BLD	Rd, b	Bit load from T to Register	Rd(b) ← T	None	1
SEC		Set Carry	C ← 1	C	1
CLC		Clear Carry	C ← 0	C	1
SEN		Set Negative Flag	N ← 1	N	1
CLN		Clear Negative Flag	N ← 0	N	1
SEZ		Set Zero Flag	Z ← 1	Z	1
CLZ		Clear Zero Flag	Z ← 0	Z	1
SEI		Global Interrupt Enable	I ← 1	I	1
CLI		Global Interrupt Disable	I ← 0	I	1
SES		Set Signed Test Flag	S ← 1	S	1
CLS		Clear Signed Test Flag	S ← 0	S	1
SEV		Set Two's Complement Overflow	V ← 1	V	1
CLV		Clear Two's Complement Overflow	V ← 0	V	1
SET		Set T in SREG	T ← 1	T	1
CLT		Clear T in SREG	T ← 0	T	1
SEH		Set Half Carry Flag in SREG	H ← 1	H	1
CLH		Clear Half Carry Flag in SREG	H ← 0	H	1
<b>MCU Control Instructions</b>					
BREAK		Break	(See specific descr. for BREAK)	None	1
NOP		No Operation		None	1
SLEEP		Sleep	(see specific descr. for Sleep)	None	1
WDR		Watchdog Reset	(see specific descr. for WDR)	None	1

- Notes:
1. Cycle times for Data memory accesses assume internal memory accesses, and are not valid for accesses via the external RAM interface.
  2. One extra cycle must be added when accessing Internal SRAM.

### 33. Packaging information

#### 33.1 64A




**COMMON DIMENSIONS**  
(Unit of Measure = mm)

SYMBOL	MIN	NOM	MAX	NOTE
A	-	-	1.20	
A1	0.05	-	0.15	
A2	0.95	1.00	1.05	
D	15.75	16.00	16.25	
D1	13.90	14.00	14.10	Note 2
E	15.75	16.00	16.25	
E1	13.90	14.00	14.10	Note 2
B	0.30	-	0.45	
C	0.09	-	0.20	
L	0.45	-	0.75	
e	0.80 TYP			

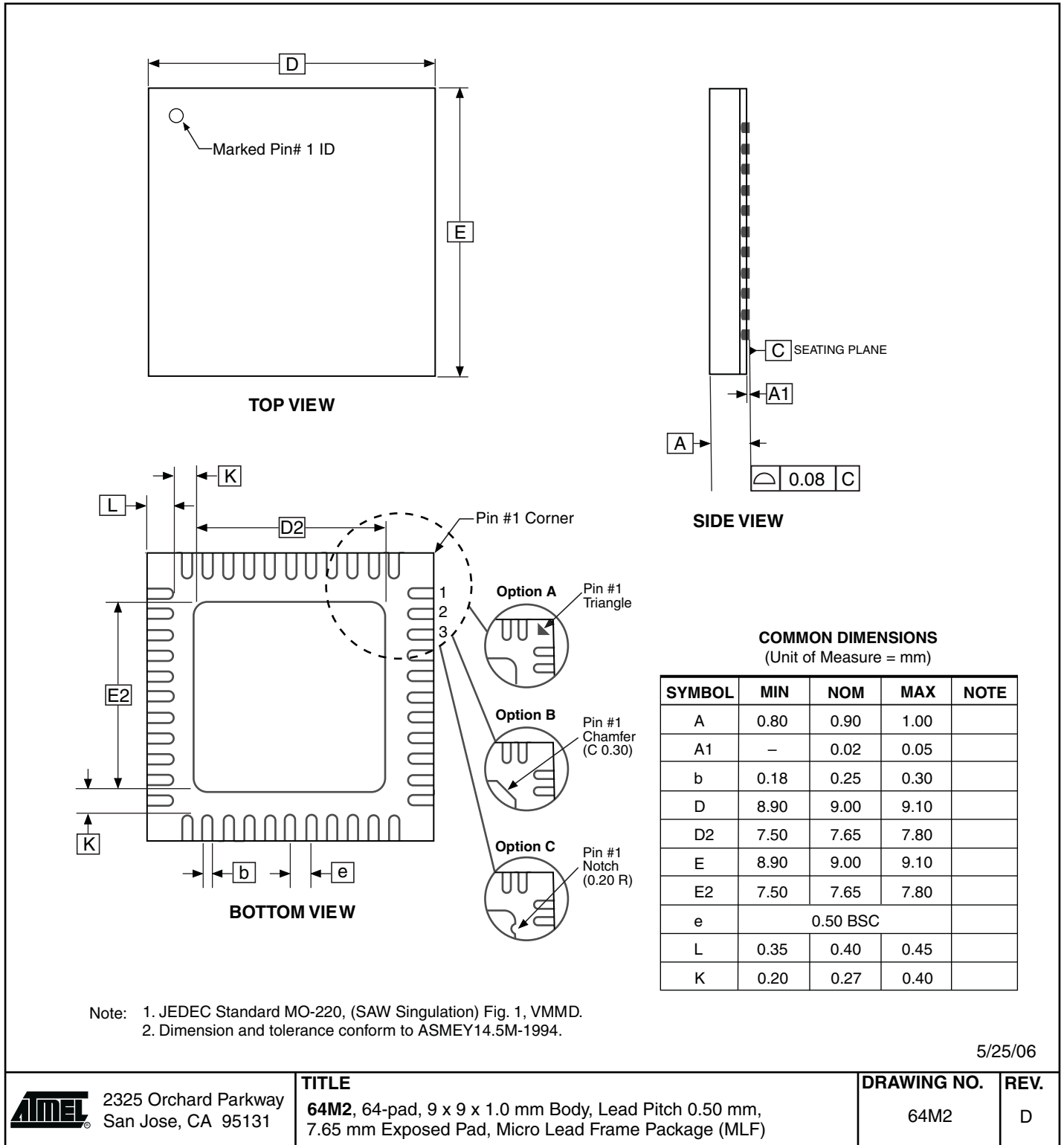
**Notes:**

1. This package conforms to JEDEC reference MS-026, Variation AEB.
2. Dimensions D1 and E1 do not include mold protrusion. Allowable protrusion is 0.25 mm per side. Dimensions D1 and E1 are maximum plastic body size dimensions including mold mismatch.
3. Lead coplanarity is 0.10 mm maximum.

10/5/2001

 2325 Orchard Parkway San Jose, CA 95131	<b>TITLE</b> 64A, 64-lead, 14 x 14 mm Body Size, 1.0 mm Body Thickness, 0.8 mm Lead Pitch, Thin Profile Plastic Quad Flat Package (TQFP)	<b>DRAWING NO.</b>	<b>REV.</b>
		64A	B

33.2 64M2



## 34. Electrical Characteristics

### 34.1 Absolute Maximum Ratings\*

Operating Temperature.....	-55°C to +125°C
Storage Temperature .....	-65°C to +150°C
Voltage on any Pin with respect to Ground..	-0.5V to $V_{CC}+0.5V$
Maximum Operating Voltage .....	3.6V
DC Current per I/O Pin .....	20.0 mA
DC Current $V_{CC}$ and GND Pins.....	200.0 mA

\*NOTICE: Stresses beyond those listed under “Absolute Maximum Ratings” may cause permanent damage to the device. This is a stress rating only and functional operation of the device at these or other conditions beyond those indicated in the operational sections of this specification is not implied. Exposure to absolute maximum rating conditions for extended periods may affect device reliability.

### 34.2 DC Characteristics

**Table 34-1.** Current Consumption

Symbol	Parameter	Condition	Min	Typ	Max	Units			
$I_{CC}$	Power Supply Current <sup>(1)</sup>	Active	32 kHz, Ext. Clk	$V_{CC} = 1.8V$		25	$\mu A$		
				$V_{CC} = 3.0V$		71			
		Active	1 MHz, Ext. Clk	$V_{CC} = 1.8V$		317		800	
				$V_{CC} = 3.0V$		697			
		Active	2 MHz, Ext. Clk	$V_{CC} = 1.8V$		613		1800	
				$V_{CC} = 3.0V$		1340			
		Active	32 MHz, Ext. Clk	$V_{CC} = 1.8V$		15.7		18	mA
				$V_{CC} = 3.0V$		15.7		18	
		Idle	32 kHz, Ext. Clk	$V_{CC} = 1.8V$		3.6			$\mu A$
				$V_{CC} = 3.0V$		6.9			
	1 MHz, Ext. Clk		$V_{CC} = 1.8V$		112				
			$V_{CC} = 3.0V$		215				
	2 MHz, Ext. Clk		$V_{CC} = 1.8V$		224	350			
			$V_{CC} = 3.0V$		430	650			
	32 MHz, Ext. Clk	$V_{CC} = 1.8V$		6.9	8	mA			
		$V_{CC} = 3.0V$		6.9	8				
	Power-down mode	All Functions Disabled	$V_{CC} = 3.0V$		0.1	3	$\mu A$		
			$V_{CC} = 3.0V$		1.75	5			
		ULP, WDT, Sampled BOD	$V_{CC} = 1.8V$		1				
			$V_{CC} = 3.0V$		1	6			
ULP, WDT, Sampled BOD, T=85°C		$V_{CC} = 3.0V$		2.7	10				
Power-save mode	RTC 1 kHz from Low Power 32 kHz TOSC	$V_{CC} = 1.8V$		0.55					
		$V_{CC} = 3.0V$		0.65					
	RTC from Low Power 32 kHz TOSC	$V_{CC} = 3.0V$		1.16					
Reset Current Consumption	without Reset pull-up resistor current	$V_{CC} = 3.0V$		1300					



**Table 34-1. Current Consumption**

Symbol	Parameter	Condition	Min	Typ	Max	Units
<b>Module current consumption<sup>(2)</sup></b>						
$I_{CC}$	RC32M			460		$\mu\text{A}$
	RC32M w/DFLL	Internal 32.768 kHz oscillator as DFLL source		594		
	RC2M			101		
	RC2M w/DFLL	Internal 32.768 kHz oscillator as DFLL source		134		
	RC32K			27		
	PLL	Multiplication factor = 10x		202		
	Watchdog normal mode			1		
	BOD Continuous mode			128		
	BOD Sampled mode			1		
	Internal 1.00 V ref			80		
	Temperature reference			74		
	RTC with int. 32 kHz RC as source	No prescaling		27		
	RTC with ULP as source	No prescaling		1		
	ADC	250 kS/s - Int. 1V Ref		2.9		$\text{mA}$
	DAC Normal Mode	1000 kS/s, Single channel, Int. 1V Ref		1.8		
	DAC Low-Power Mode	1000 KS/s, Single channel, Int. 1V Ref		0.95		
	DAC S/H Normal Mode	Int.1.1V Ref, Refresh 16CLK		2.9		
	DAC Low-Power Mode S/H	Int.1.1V Ref, Refresh 16CLK		1.1		
	AC High-speed			195		$\mu\text{A}$
	AC Low-power			103		
	USART	Rx and Tx enabled, 9600 BAUD		5.4		
	DMA			128		
	Timer/Counter	Prescaler DIV1		20		
	AES			223		$\text{mA}$
	Flash/EEPROM Programming	$V_{CC} = 2V$		25		
		$V_{CC} = 3V$		33		

Note: 1. All Power Reduction Registers set. Typical numbers measured at  $T = 25^{\circ}\text{C}$  if nothing else is specified.

2. All parameters measured as the difference in current consumption between module enabled and disabled. All data at  $V_{CC} = 3.0V$ ,  $Clk_{SYS} = 1\text{ MHz}$  External clock with no prescaling,  $T = 25^{\circ}\text{C}$ .

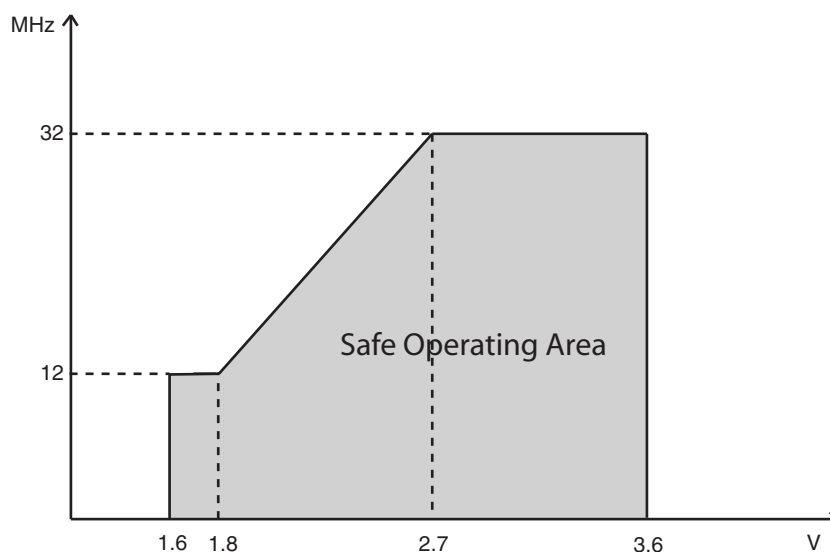
### 34.3 Operating Voltage and Frequency

**Table 34-2.** Operating voltage and frequency

Symbol	Parameter	Condition	Min	Typ	Max	Units
Clk <sub>CPU</sub>	CPU clock frequency	V <sub>CC</sub> = 1.6V	0		12	MHz
		V <sub>CC</sub> = 1.8V	0		12	
		V <sub>CC</sub> = 2.7V	0		32	
		V <sub>CC</sub> = 3.6V	0		32	

The maximum CPU clock frequency of the XMEGA A3B devices is depending on V<sub>CC</sub>. As shown in [Figure 34-1 on page 66](#) the Frequency vs. V<sub>CC</sub> curve is linear between 1.8V < V<sub>CC</sub> < 2.7V.

**Figure 34-1.** Maximum Frequency vs. Vcc



### 34.4 Flash and EEPROM Memory Characteristics

**Table 34-3.** Endurance and Data Retention

Symbol	Parameter	Condition		Min	Typ	Max	Units
	Flash	Write/Erase cycles	25°C	10K			Cycle
			85°C	10K			
		Data retention	25°C	100			Year
			55°C	25			
	EEPROM	Write/Erase cycles	25°C	80K			Cycle
			85°C	30K			
		Data retention	25°C	100			Year
			55°C	25			

**Table 34-4.** Programming time

Symbol	Parameter	Condition	Min	Typ <sup>(1)</sup>	Max	Units
	Chip Erase	Flash, EEPROM <sup>(2)</sup> and SRAM Erase		40		ms
	Flash	Page Erase		6		
		Page Write		6		
		Page Write Automatic Page Erase and Write		12		
	EEPROM	Page Erase		6		
		Page Write		6		
		Page Write Automatic Page Erase and Write		12		

- Notes: 1. Programming is timed from the internal 2 MHz oscillator.  
 2. EEPROM is not erased if the EESAVE fuse is programmed.

## 34.5 ADC Characteristics

**Table 34-5.** ADC Characteristics

Symbol	Parameter	Condition	Min	Typ	Max	Units
RES	Resolution	Programmable: 8/12	8	12	12	Bits
INL	Integral Non-Linearity	500 ksps		±2		LSB
DNL	Differential Non-Linearity	500 ksps		< ±1		
	Gain Error			< ±10		mV
	Offset Error			< ±2		
ADC <sub>clk</sub>	ADC Clock frequency	Max is 1/4 of Peripheral Clock			2000	kHz
	Conversion rate				2000	ksps
	Conversion time (propagation delay)	(RES+2)/2+GAIN RES = 8 or 12, GAIN = 0 or 1	5	7	8	ADC <sub>clk</sub> cycles
	Sampling Time	1/2 ADC <sub>clk</sub> cycle	0.25			µs
	Conversion range		0		VREF	V
AVCC	Analog Supply Voltage		V <sub>cc</sub> -0.3		V <sub>cc</sub> +0.3	
VREF	Reference voltage		1.0		V <sub>cc</sub> -0.6V	
	Input bandwidth					kHz
INT1V	Internal 1.00V reference			1.00		V
INTVCC	Internal V <sub>CC</sub> /1.6			V <sub>CC</sub> /1.6		
SCALEDVCC	Scaled internal V <sub>CC</sub> /10 input			V <sub>CC</sub> /10		
R <sub>AREF</sub>	Reference input resistance			> 10		MΩ
	Start-up time			12	24	ADC <sub>clk</sub> cycles
	Internal input sampling speed	Temp. sensor, V <sub>CC</sub> /10, Bandgap			100	ksps

**Table 34-6.** ADC Gain Stage Characteristics

Symbol	Parameter	Condition	Min	Typ	Max	Units
	Gain error	1 to 64 gain		< ±1		%
	Offset error			< ±1		mV
V <sub>rms</sub>	Noise level at input	64x gain	VREF = Int. 1V	0.12		
			VREF = Ext. 2V	0.06		
	Clock rate	Same as ADC			1000	kHz

## 34.6 DAC Characteristics

**Table 34-7.** DAC Characteristics

Symbol	Parameter	Condition		Min	Typ	Max	Units
INL	Integral Non-Linearity	$V_{CC} = 1.6-3.6V$	$V_{REF} = \text{Ext. ref}$		5		LSB
DNL	Differential Non-Linearity	$V_{CC} = 1.6-3.6V$	$V_{REF} = \text{Ext. ref}$ $V_{REF} = AV_{CC}$		$<\pm 1$		
$F_{clk}$	Conversion rate					1000	kSPS
AREF	External reference voltage			1.1		$AV_{CC}-0.6$	V
	Reference input impedance				$>10$		$M\Omega$
	Max output voltage	$R_{load}=100k\Omega$			$AV_{CC}*0.98$		V
	Min output voltage	$R_{load}=100k\Omega$			0.015		
	Offset factory calibration accuracy	Continues mode, $V_{CC}=3.0V$ , $V_{REF} = \text{Int } 1.00V$ , $T=85^{\circ}C$			$\pm 0.5$		LSB
	Gain factory calibration accuracy				$\pm 2.5$		

## 34.7 Analog Comparator Characteristics

**Table 34-8.** Analog Comparator Characteristics

Symbol	Parameter	Condition		Min	Typ	Max	Units
$V_{off}$	Input Offset Voltage	$V_{CC} = 1.6 - 3.6V$			$<\pm 10$		mV
$I_{lk}$	Input Leakage Current	$V_{CC} = 1.6 - 3.6V$			$< 1000$		pA
$V_{hys1}$	Hysteresis, No	$V_{CC} = 1.6 - 3.6V$			0		mV
$V_{hys2}$	Hysteresis, Small	$V_{CC} = 1.6 - 3.6V$	mode = HS		20		mV
$V_{hys3}$	Hysteresis, Large	$V_{CC} = 1.6 - 3.6V$	mode = HS		40		
$t_{delay}$	Propagation delay	$V_{CC} = 3.0V$ , $T = 85^{\circ}C$	mode = HS			100	ns
		$V_{CC} = 1.6 - 3.6V$	mode = HS		110		
		$V_{CC} = 1.6 - 3.6V$	mode = LP		175		

## 34.8 Bandgap Characteristics

**Table 34-9.** Bandgap Voltage Characteristics

Symbol	Parameter	Condition	Min	Typ	Max	Units
	Bandgap	As reference for ADC or DAC	$1 \text{ Clk\_PER} + 2.5\mu s$			$\mu s$
		As input to AC or ADC		1.5		
	Bandgap voltage			1.1		V
	ADC/DAC ref	$T = 85^{\circ}C$ , After calibration	0.99	1	1.01	
	Variation over voltage and temperature	$V_{CC} = 1.6 - 3.6V$ , $T = -40^{\circ}C$ to $85^{\circ}C$		$\pm 5$		%

## 34.9 Brownout Detection Characteristics

**Table 34-10.** Brownout Detection Characteristics<sup>(1)</sup>

Symbol	Parameter	Condition	Min	Typ	Max	Units
	BOD level 0 falling Vcc			1.62		V
	BOD level 1 falling Vcc			1.9		
	BOD level 2 falling Vcc			2.17		
	BOD level 3 falling Vcc			2.43		
	BOD level 4 falling Vcc			2.68		
	BOD level 5 falling Vcc			2.96		
	BOD level 6 falling Vcc			3.22		
	BOD level 7 falling Vcc			3.49		
	Hysteresis	BOD level 0-5		1		%

Note: 1. BOD is calibrated on BOD level 0 at 85°C.

## 34.10 PAD Characteristics

**Table 34-11.** PAD Characteristics

Symbol	Parameter	Condition	Min	Typ	Max	Units
V <sub>IH</sub>	Input High Voltage	V <sub>CC</sub> = 2.4 - 3.6V	0.7*V <sub>CC</sub>		V <sub>CC</sub> +0.5	V
		V <sub>CC</sub> = 1.6 - 2.4V	0.8*V <sub>CC</sub>		V <sub>CC</sub> +0.5	
V <sub>IL</sub>	Input Low Voltage	V <sub>CC</sub> = 2.4 - 3.6V	-0.5		0.3*V <sub>CC</sub>	
		V <sub>CC</sub> = 1.6 - 2.4V	-0.5		0.2*V <sub>CC</sub>	
V <sub>OL</sub>	Output Low Voltage GPIO	I <sub>OH</sub> = 15 mA, V <sub>CC</sub> = 3.3V		0.4	0.76	
		I <sub>OH</sub> = 10 mA, V <sub>CC</sub> = 3.0V		0.3	0.64	
		I <sub>OH</sub> = 5 mA, V <sub>CC</sub> = 1.8V		0.2	0.46	
V <sub>OH</sub>	Output High Voltage GPIO	I <sub>OH</sub> = -8 mA, V <sub>CC</sub> = 3.3V	2.6	2.9		
		I <sub>OH</sub> = -6 mA, V <sub>CC</sub> = 3.0V	2.1	2.7		
		I <sub>OH</sub> = -2 mA, V <sub>CC</sub> = 1.8V	1.4	1.6		
I <sub>IL</sub>	Input Leakage Current I/O pin			<0.001	1	μA
I <sub>IH</sub>	Input Leakage Current I/O pin			<0.001	1	
R <sub>P</sub>	I/O pin Pull/Buss keeper Resistor			20		kΩ
R <sub>RST</sub>	Reset pin Pull-up Resistor			20		
	Input hysteresis			0.5		V

## 34.11 POR Characteristics

**Table 34-12.** Power-on Reset Characteristics

Symbol	Parameter	Condition	Min	Typ	Max	Units
$V_{POT-}$	POR threshold voltage falling $V_{CC}$			1		V
$V_{POT+}$	POR threshold voltage rising $V_{CC}$			1.45		

## 34.12 Reset Characteristics

**Table 34-13.** Reset Characteristics

Symbol	Parameter	Condition	Min	Typ	Max	Units
	Minimum reset pulse width			90		ns
	Reset threshold voltage	$V_{CC} = 2.7 - 3.6V$		$0.45 \cdot V_{CC}$		V
		$V_{CC} = 1.6 - 2.7V$		$0.42 \cdot V_{CC}$		

## 34.13 Oscillator Characteristics

**Table 34-14.** Internal 32.768 kHz Oscillator Characteristics

Symbol	Parameter	Condition	Min	Typ	Max	Units
	Accuracy	$T = 85^{\circ}C$ , $V_{CC} = 3V$ , After production calibration	-0.5		0.5	%

**Table 34-15.** Internal 2 MHz Oscillator Characteristics

Symbol	Parameter	Condition	Min	Typ	Max	Units
	Accuracy	$T = 85^{\circ}C$ , $V_{CC} = 3V$ , After production calibration	-1.5		1.5	%
	DFLL Calibration step size	$T = 25^{\circ}C$ , $V_{CC} = 3V$		0.15		

**Table 34-16.** Internal 32 MHz Oscillator Characteristics

Symbol	Parameter	Condition	Min	Typ	Max	Units
	Accuracy	$T = 85^{\circ}C$ , $V_{CC} = 3V$ , After production calibration	-1.5		1.5	%
	DFLL Calibration stepsize	$T = 25^{\circ}C$ , $V_{CC} = 3V$		0.2		

**Table 34-17.** Internal 32 kHz, ULP Oscillator Characteristics

Symbol	Parameter	Condition	Min	Typ	Max	Units
	Output frequency 32 kHz ULP OSC	$T = 85^{\circ}C$ , $V_{CC} = 3.0V$		26		kHz

**Table 34-18.** Maximum load capacitance (CL) and ESR recommendation for 32.768 kHz Crystal

Crystal CL [pF]	Max ESR [kΩ]
6.5	60
9	35

**Table 34-19.** Device wake-up time from sleep

Symbol	Parameter	Condition <sup>(1)</sup>	Min	Typ <sup>(2)</sup>	Max	Units	
	Idle Sleep, Standby and Extended Standby sleep mode	Int. 32.768 kHz RC		130		μS	
		Int. 2 MHz RC		2			
		Ext. 2 MHz Clock		2			
		Int. 32 MHz RC		0.17			
	Power-save and Power-down Sleep mode	Int. 32.768 kHz RC			320		
		Int. 2 MHz RC			10.3		
		Ext. 2 MHz Clock			4.5		
		Int. 32 MHz RC			5.8		

- Notes:
1. Non-prescaled System Clock source.
  2. Time from pin change on external interrupt pin to first available clock cycle. Additional interrupt response time is minimum 5 system clock source cycles.



## 34.14 VBAT and Battery Backup Characteristics

**Table 34-20.** VBAT and Battery Backup Characteristics

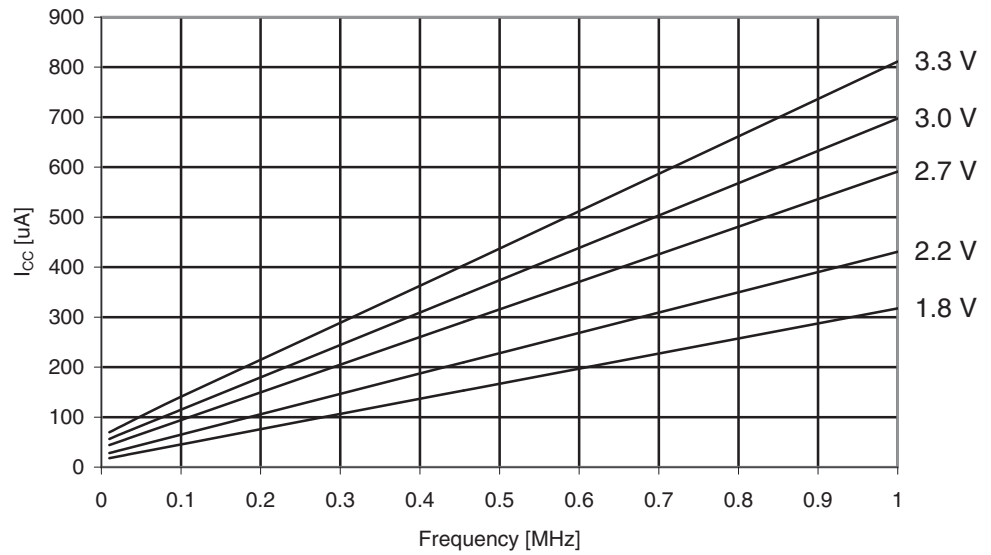
Symbol	Parameter	Condition	Min	Typ	Max	Units
	Vbat supply voltage range		Vbbbod		3.6	V
	Vbat power-on slope rate	Monotonic rising	0.2			V/ms
	Vcc Power-loss slope range	Monotonic falling			0.1	V/ms
	main BOD threshold voltage		1.8			V
	BBBOD required voltage change			1.2		V
	BBBOD threshold voltage			1.7	2.1	V
	BBBOD detection speed			1	2	s
	Battery Backup System current consumption	RTC enabled from 1 Hz TOSC with XOSC Failure Monitor enabled		530		nA
		RTC enabled from 1 Hz Hi ESR mode and XOSC Failure Monitor enabled		680		nA
	VBAT pin leakage	Powering Battery Backup module from Vcc			50	nA
	Delay from setting XOSCFDEN to setting XOSCEN		200			μS
	Missing crystal oscillator cycles before XOSCFAIL is set			32		cycles

### 35. Typical Characteristics

#### 35.1 Active Supply Current

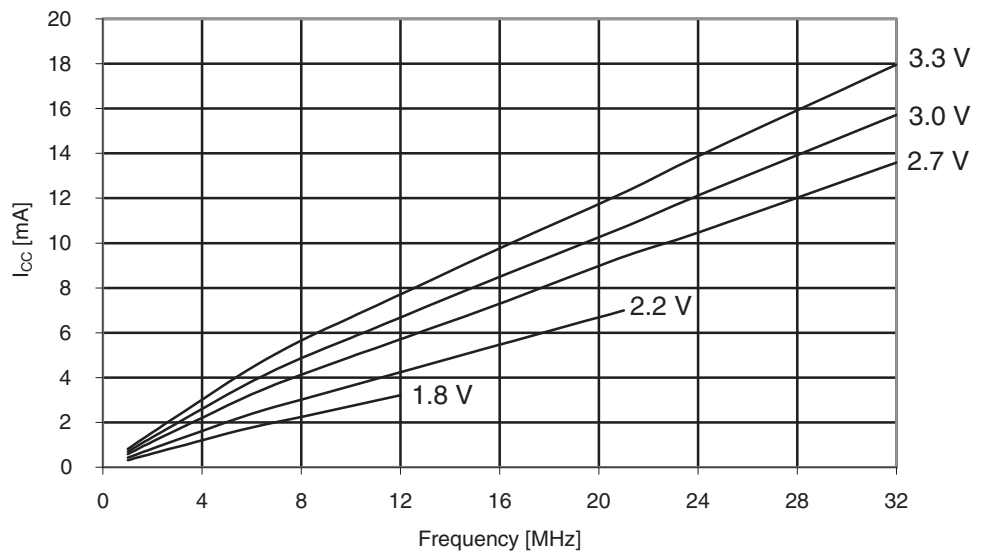
**Figure 35-1.** Active Supply Current vs. Frequency

$f_{SYS} = 0 - 1.0$  MHz External clock,  $T = 25^{\circ}C$



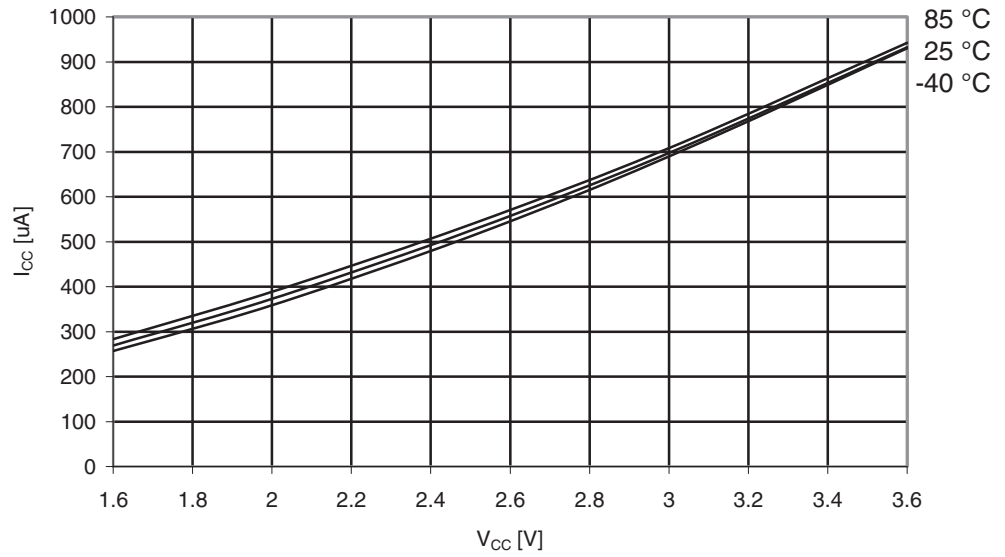
**Figure 35-2.** Active Supply Current vs. Frequency

$f_{SYS} = 1 - 32$  MHz External clock,  $T = 25^{\circ}C$



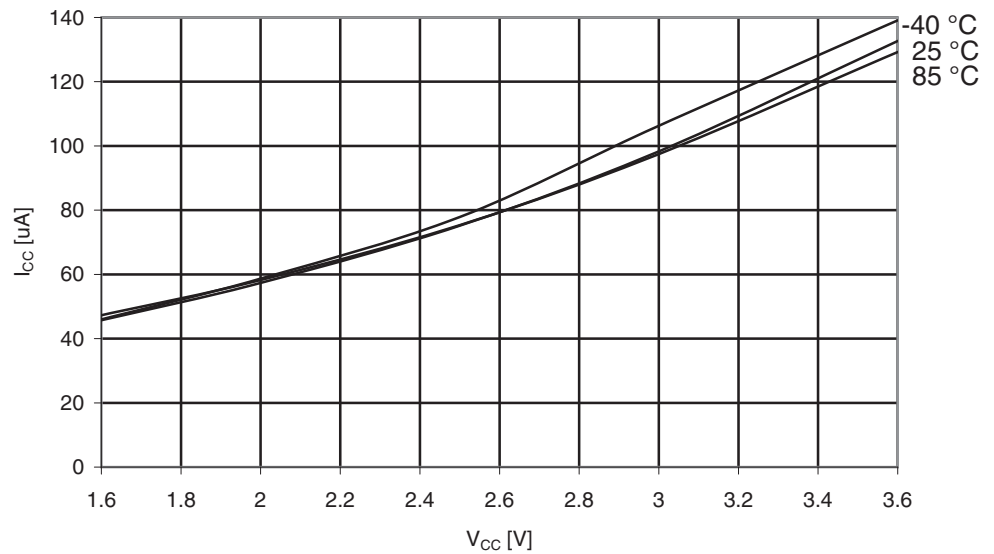
**Figure 35-3.** Active Supply Current vs. Vcc

$f_{SYS} = 1.0 \text{ MHz External Clock}$



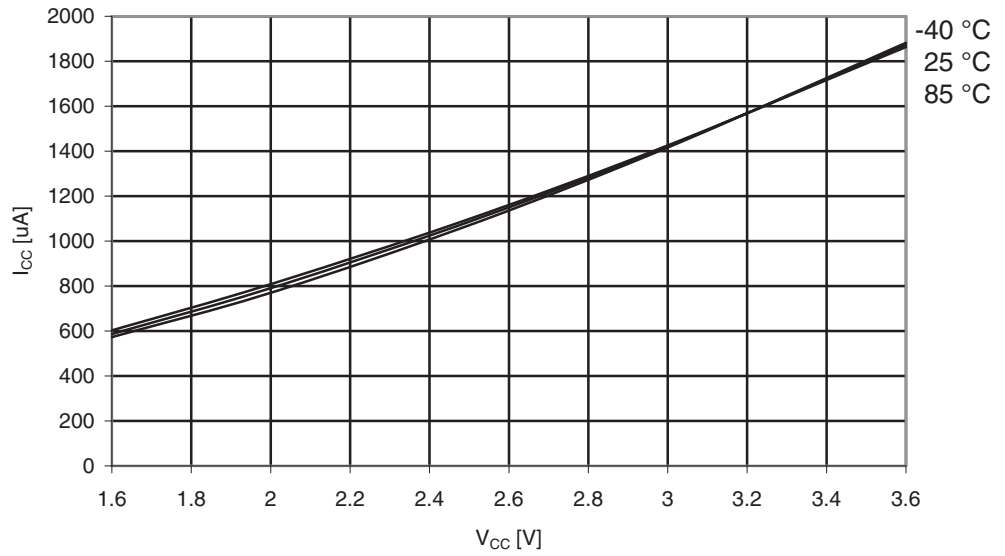
**Figure 35-4.** Active Supply Current vs. VCC

$f_{SYS} = 32.768 \text{ kHz internal RC}$



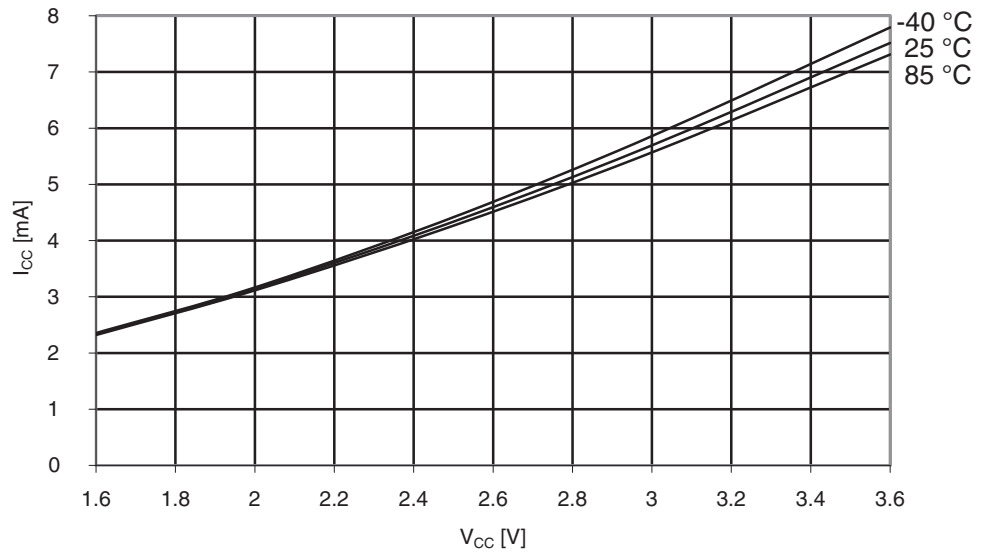
**Figure 35-5.** Active Supply Current vs. V<sub>CC</sub>

*f<sub>SYS</sub> = 2.0 MHz internal RC*



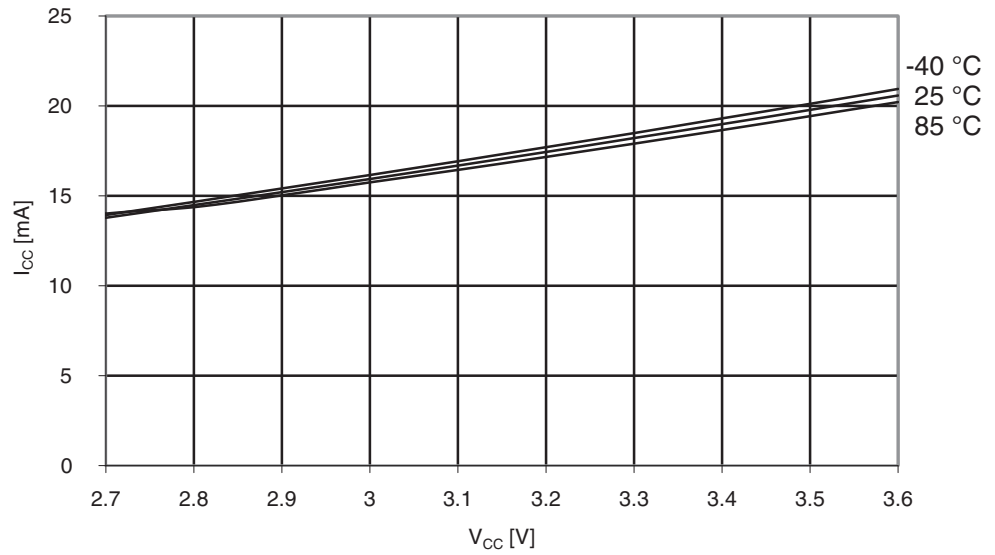
**Figure 35-6.** Active Supply Current vs. V<sub>CC</sub>

*f<sub>SYS</sub> = 32 MHz internal RC prescaled to 8 MHz*



**Figure 35-7.** Active Supply Current vs. V<sub>CC</sub>

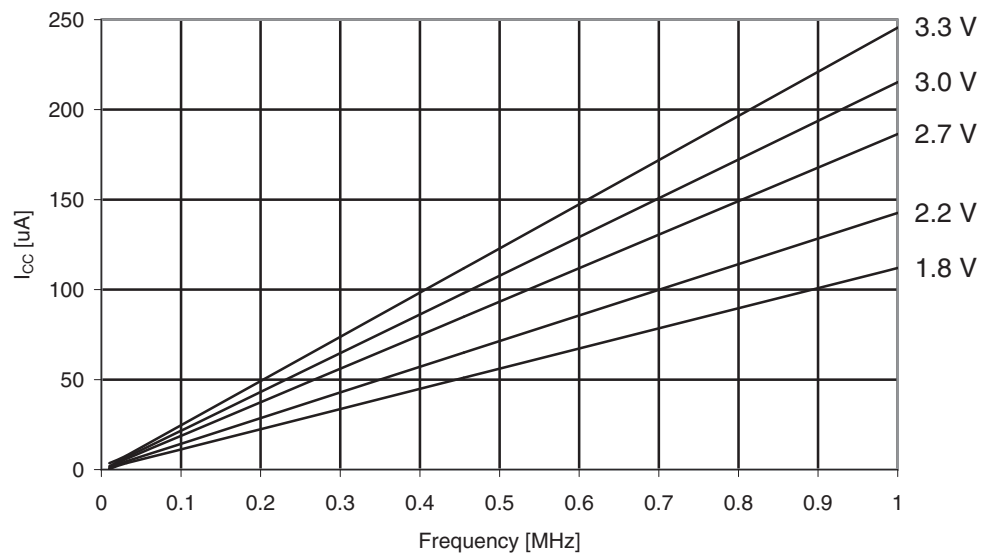
*f<sub>SYS</sub> = 32 MHz internal RC*



### 35.2 Idle Supply Current

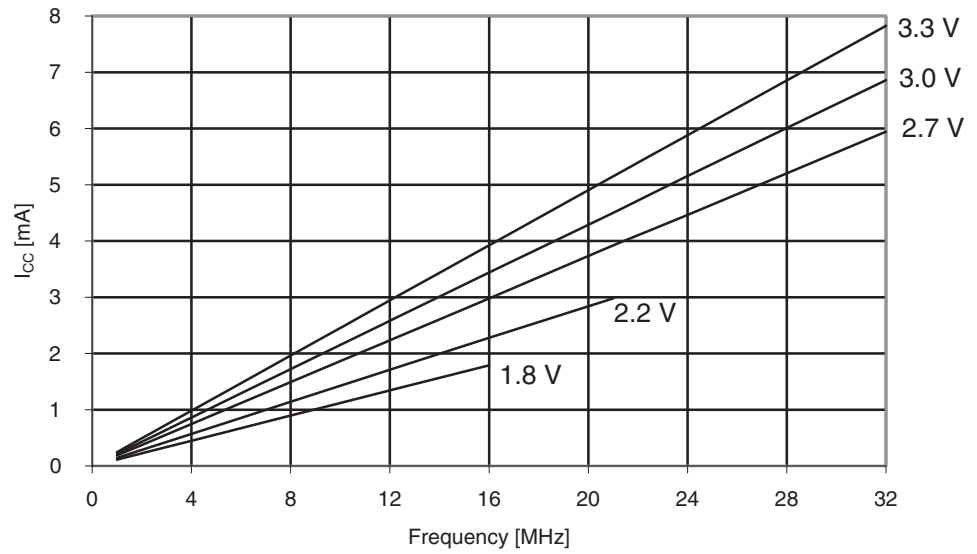
**Figure 35-8.** Idle Supply Current vs. Frequency

*f<sub>SYS</sub> = 0 - 1.0 MHz, T = 25°C*



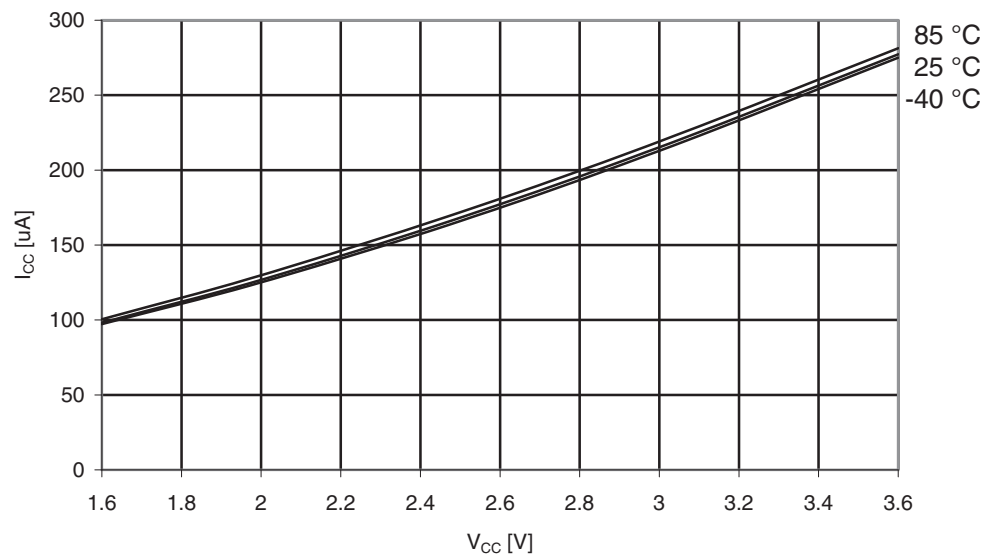
**Figure 35-9.** Idle Supply Current vs. Frequency

$f_{SYS} = 1 - 32 \text{ MHz}, T = 25^\circ\text{C}$



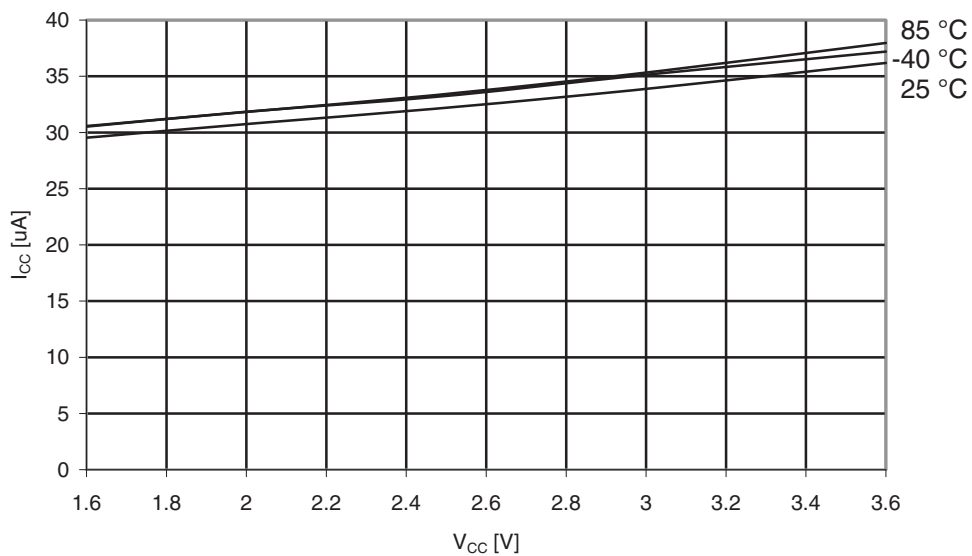
**Figure 35-10.** Idle Supply Current vs. Vcc

$f_{SYS} = 1.0 \text{ MHz External Clock}$



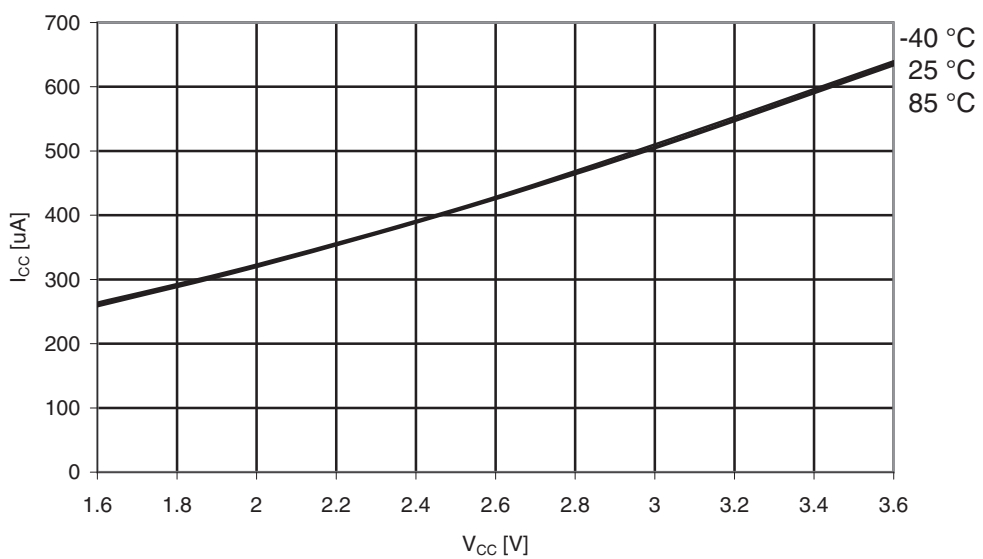
**Figure 35-11. Idle Supply Current vs. Vcc**

$f_{SYS} = 32.768 \text{ kHz internal RC}$



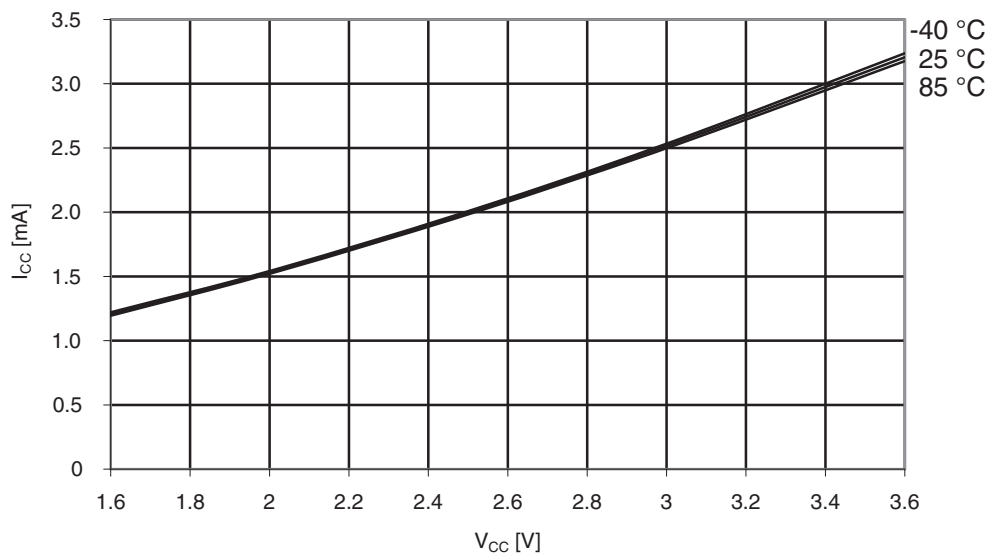
**Figure 35-12. Idle Supply Current vs. Vcc**

$f_{SYS} = 2.0 \text{ MHz internal RC}$



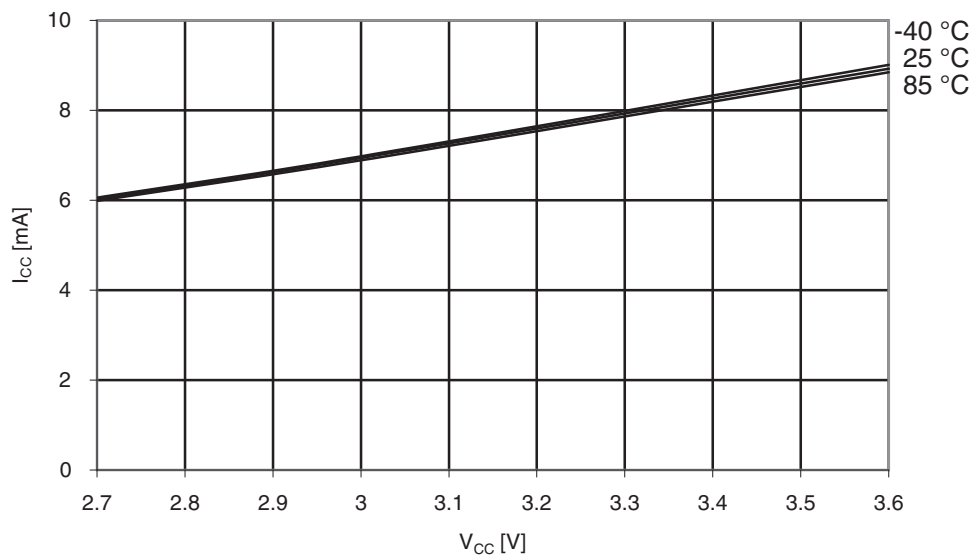
**Figure 35-13. Idle Supply Current vs. Vcc**

*f<sub>SYS</sub> = 32 MHz internal RC prescaled to 8 MHz*



**Figure 35-14. Idle Supply Current vs. Vcc**

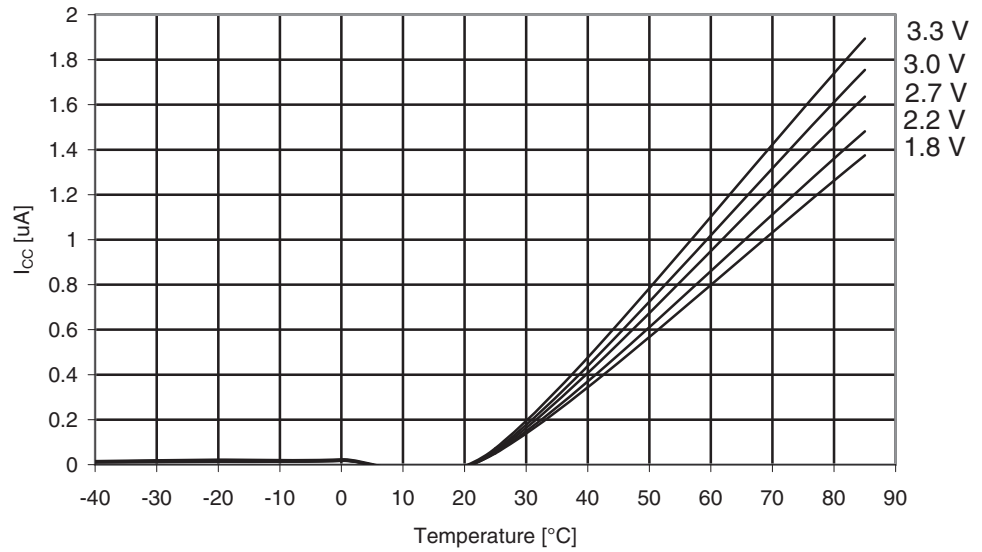
*f<sub>SYS</sub> = 32 MHz internal RC*



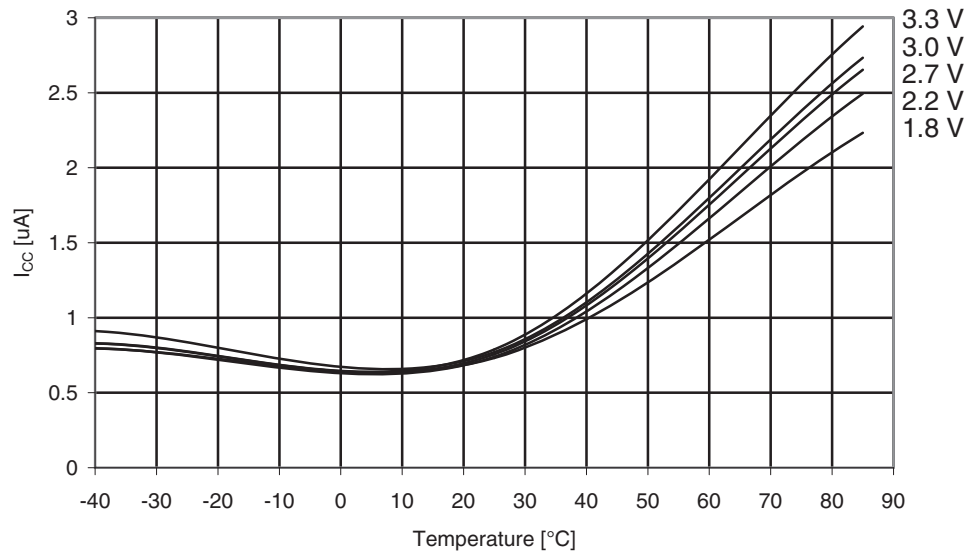


### 35.3 Power-down Supply Current

**Figure 35-15.** Power-down Supply Current vs. Temperature

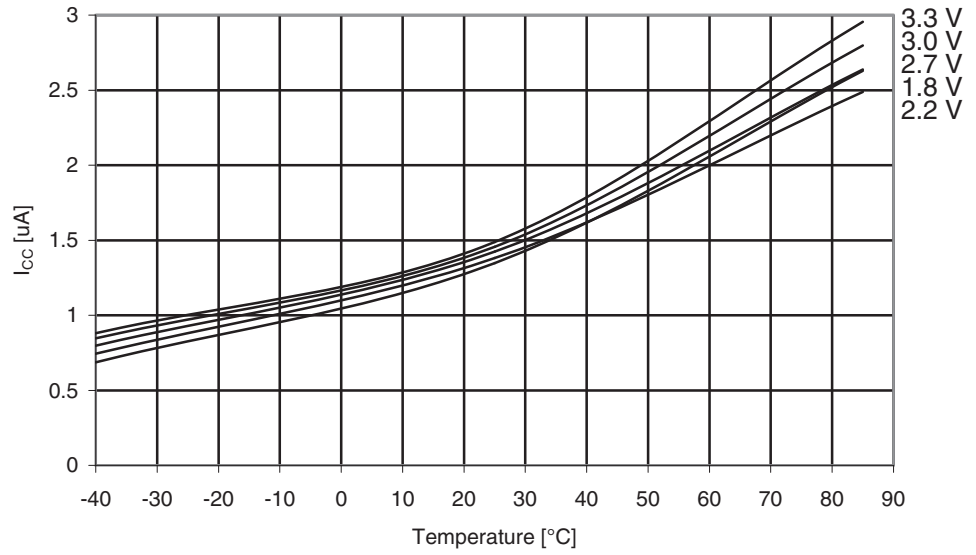


**Figure 35-16.** Power-down Supply Current vs. Temperature  
*With WDT and sampled BOD enabled.*



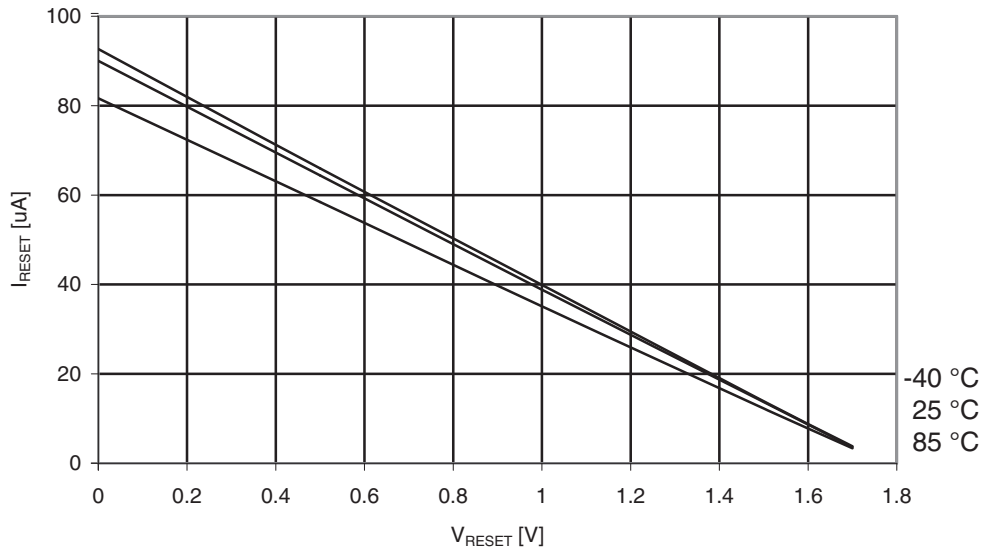
### 35.4 Power-save Supply Current

**Figure 35-17.** Power-save Supply Current vs. Temperature  
*With WDT, sampled BOD and RTC from ULP enabled*



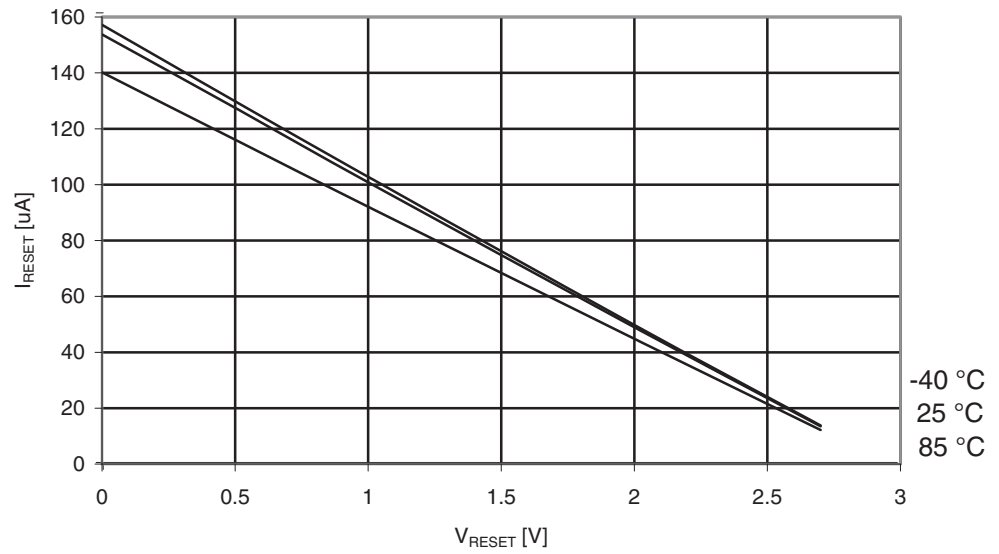
### 35.5 Pin Pull-up

**Figure 35-18.** Reset Pull-up Resistor Current vs. Reset Pin Voltage  
 *$V_{CC} = 1.8V$*



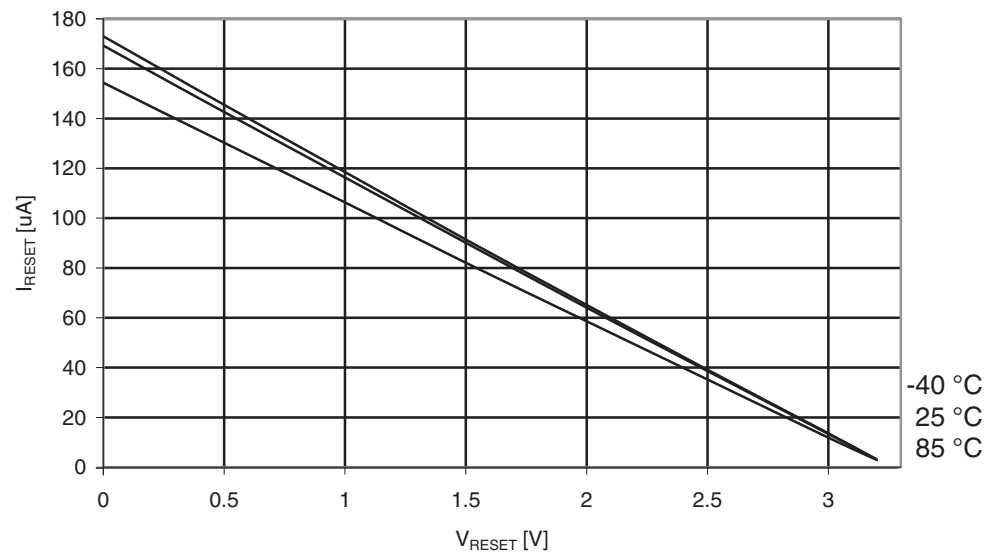
**Figure 35-19.** Reset Pull-up Resistor Current vs. Reset Pin Voltage

$V_{CC} = 3.0V$



**Figure 35-20.** Reset Pull-up Resistor Current vs. Reset Pin Voltage

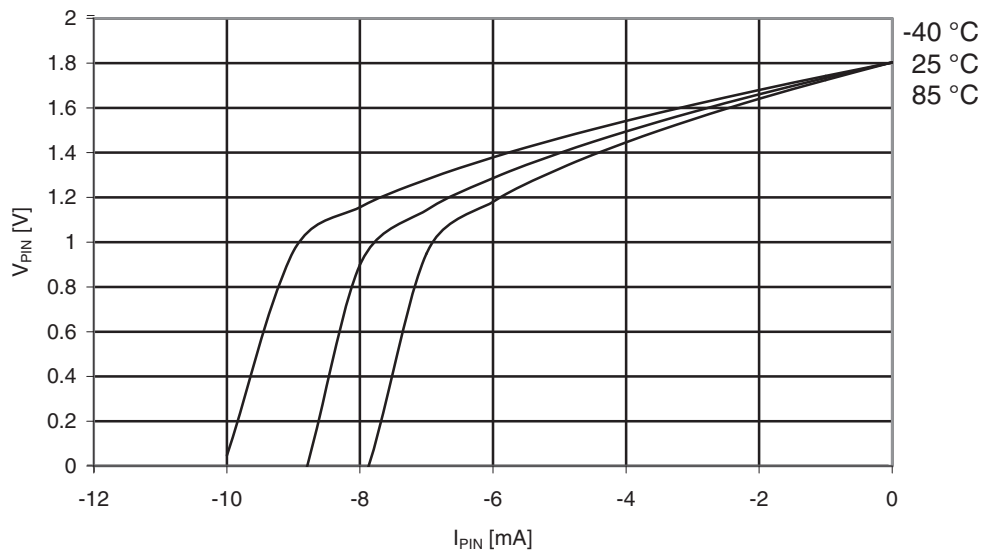
$V_{CC} = 3.3V$



### 35.6 Pin Output Voltage vs. Sink/Source Current

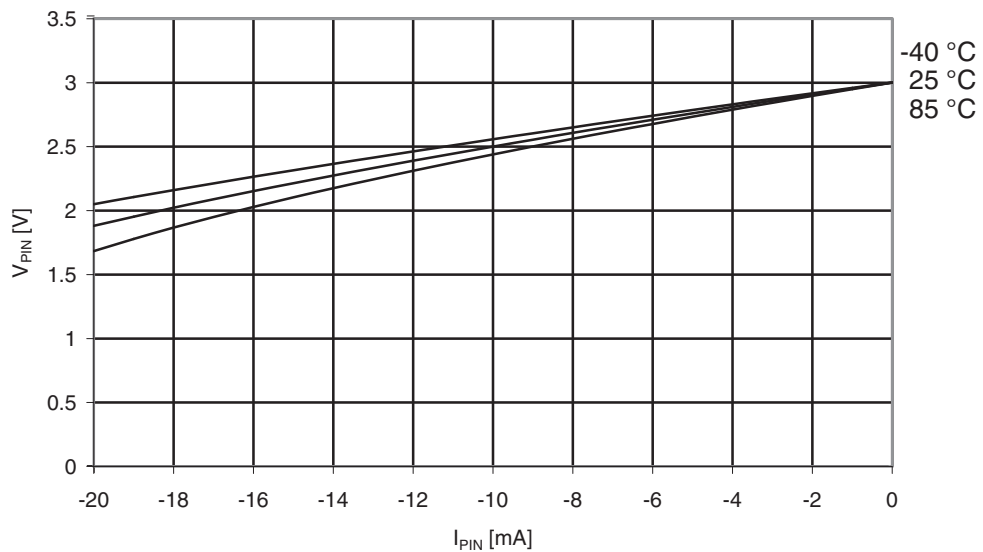
**Figure 35-21.** I/O Pin Output Voltage vs. Source Current

$V_{CC} = 1.8V$



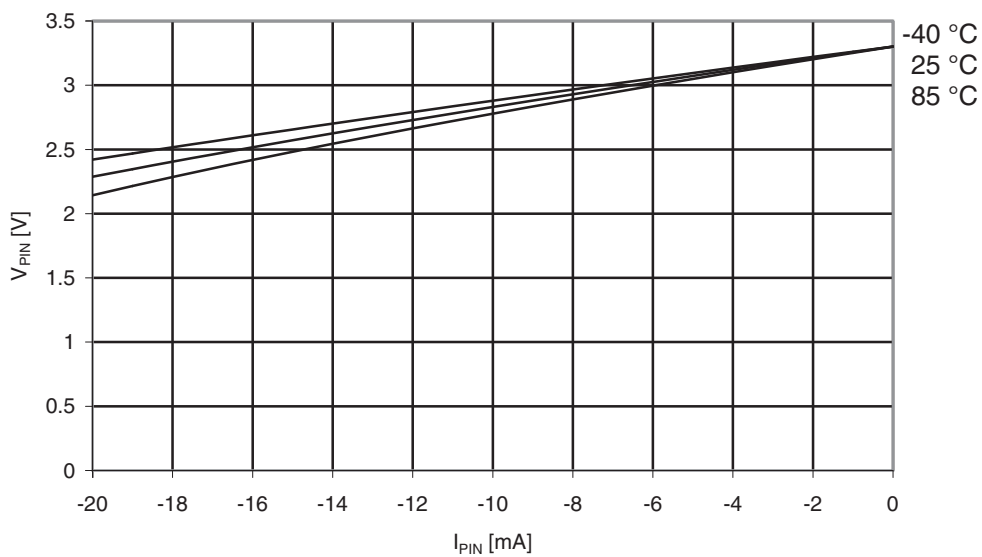
**Figure 35-22.** I/O Pin Output Voltage vs. Source Current

$V_{CC} = 3.0V$



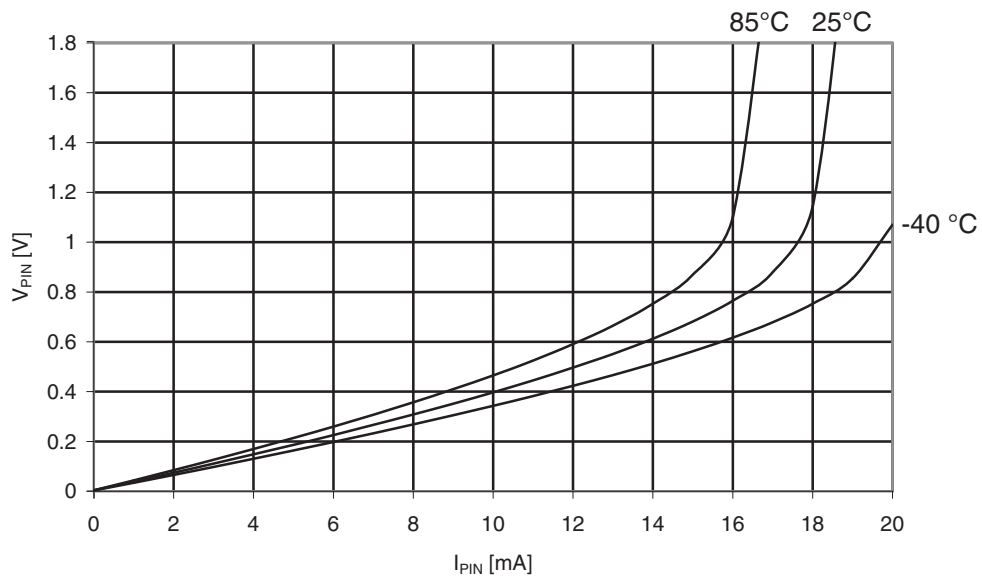
**Figure 35-23.** I/O Pin Output Voltage vs. Source Current

$V_{CC} = 3.3V$



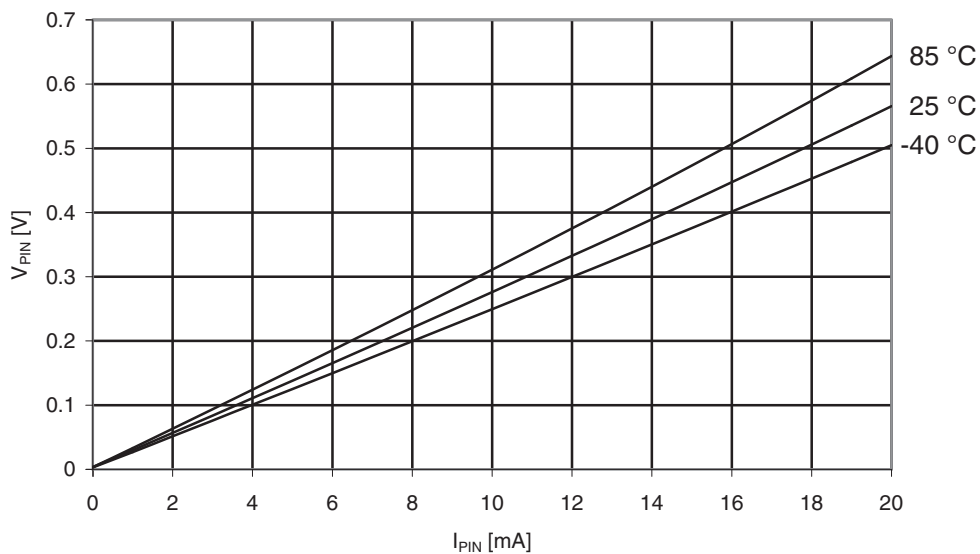
**Figure 35-24.** I/O Pin Output Voltage vs. Sink Current

$V_{CC} = 1.8V$



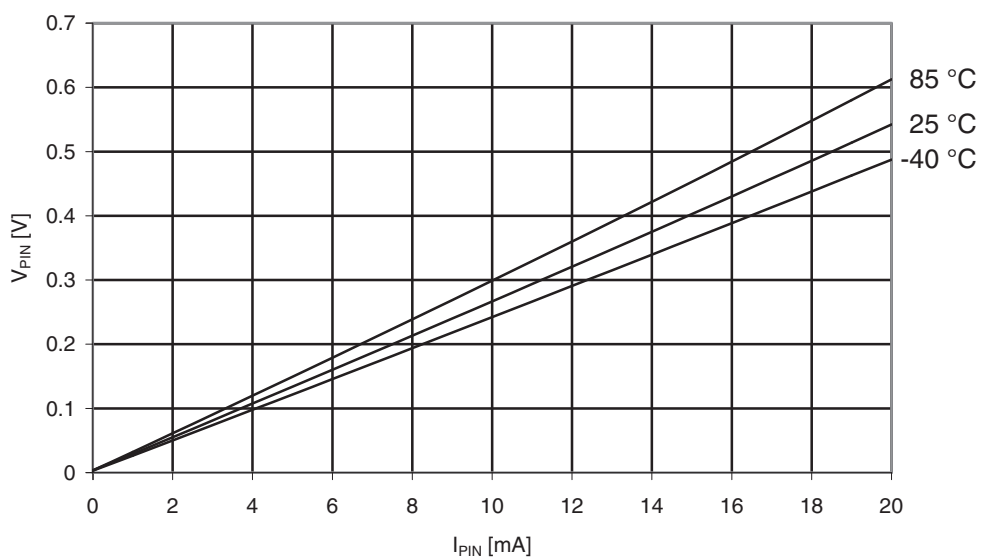
**Figure 35-25.** I/O Pin Output Voltage vs. Sink Current

$V_{CC} = 3.0V$



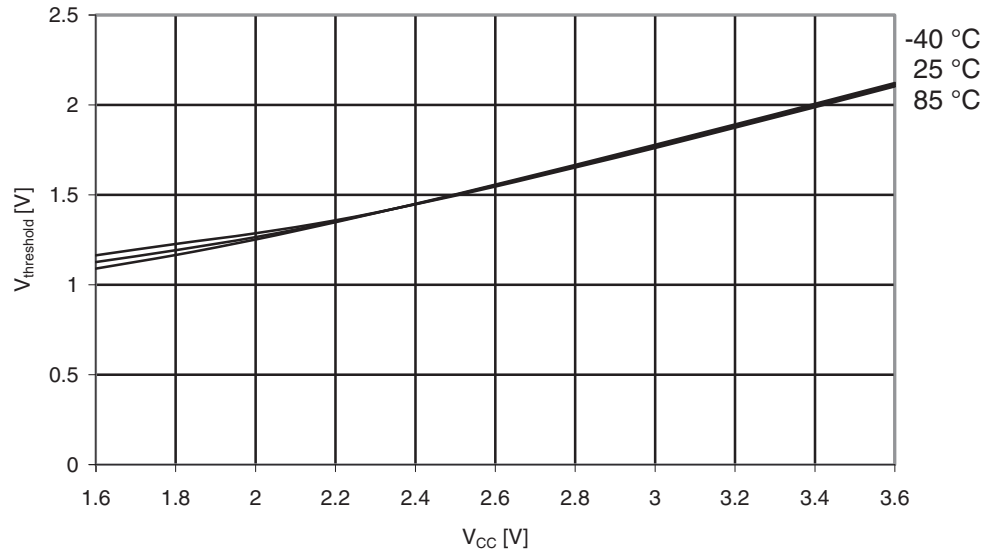
**Figure 35-26.** I/O Pin Output Voltage vs. Sink Current

$V_{CC} = 3.3V$

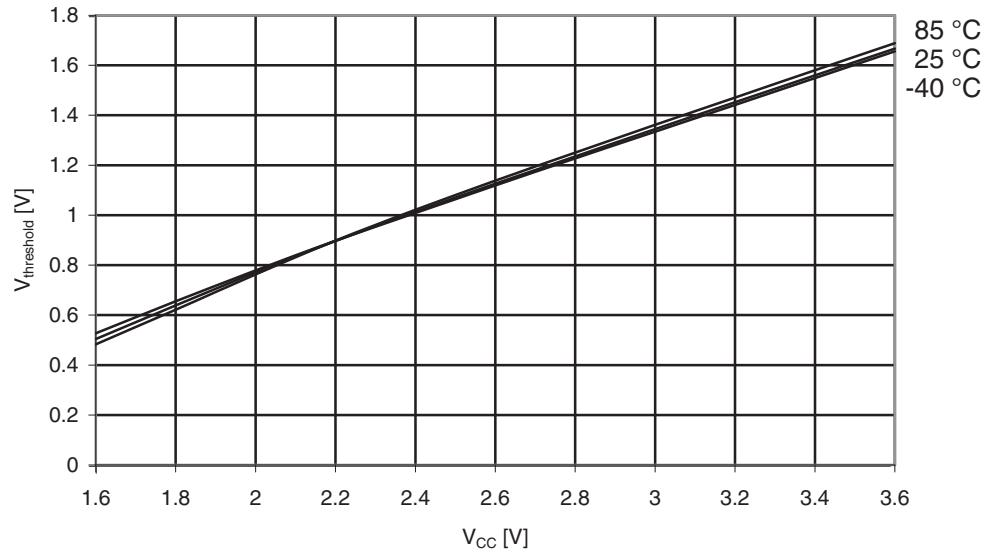


35.7 Pin Thresholds and Hysteresis

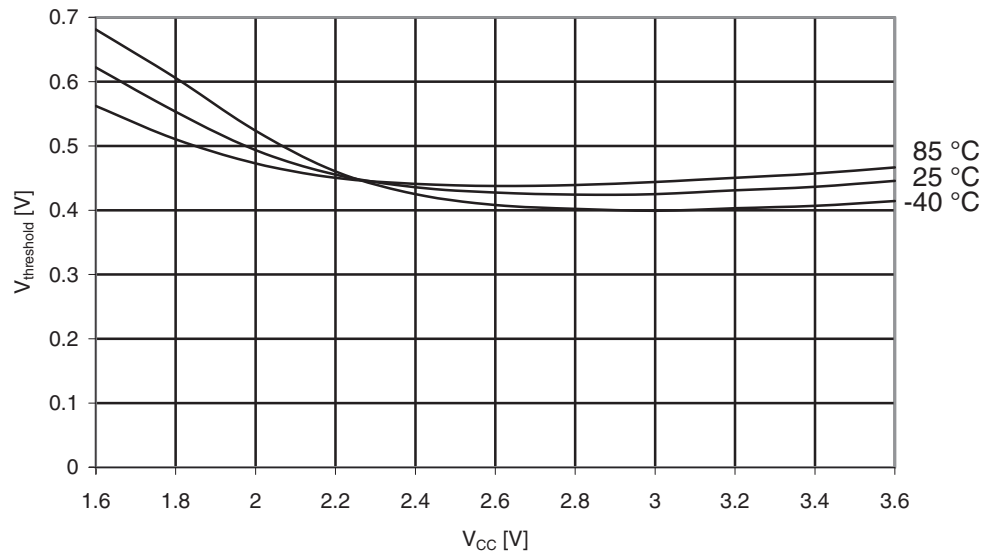
**Figure 35-27.** I/O Pin Input Threshold Voltage vs.  $V_{CC}$   
 $V_{IH}$  - I/O Pin Read as "1"



**Figure 35-28.** I/O Pin Input Threshold Voltage vs.  $V_{CC}$   
 $V_{IL}$  - I/O Pin Read as "0"

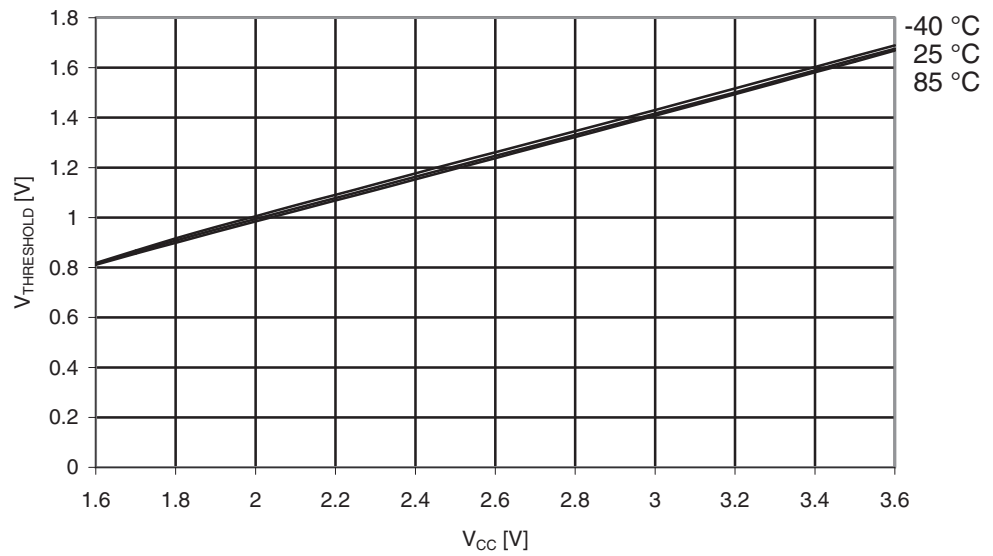


**Figure 35-29.** I/O Pin Input Hysteresis vs.  $V_{CC}$



**Figure 35-30.** Reset Input Threshold Voltage vs.  $V_{CC}$

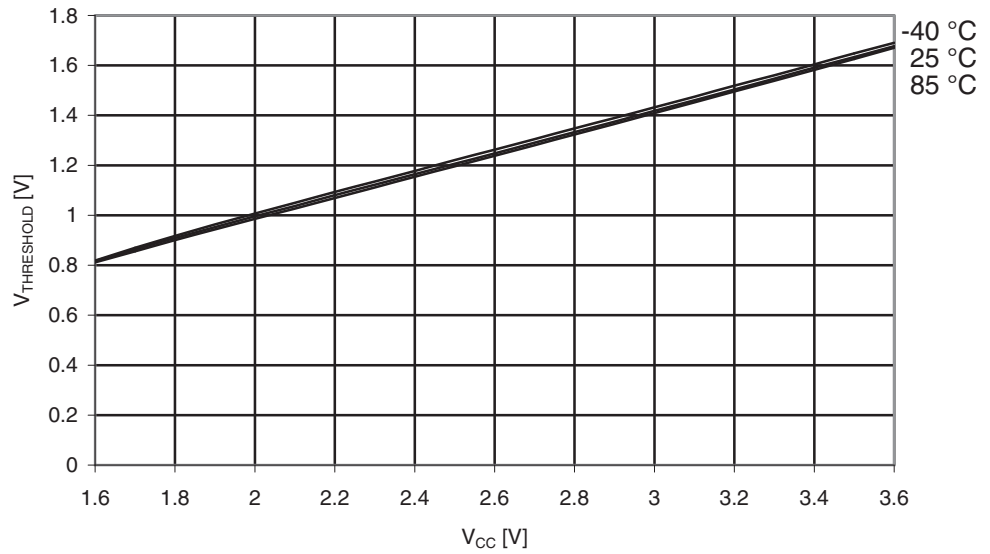
$V_{IH}$  - I/O Pin Read as "1"





**Figure 35-31.** Reset Input Threshold Voltage vs.  $V_{CC}$

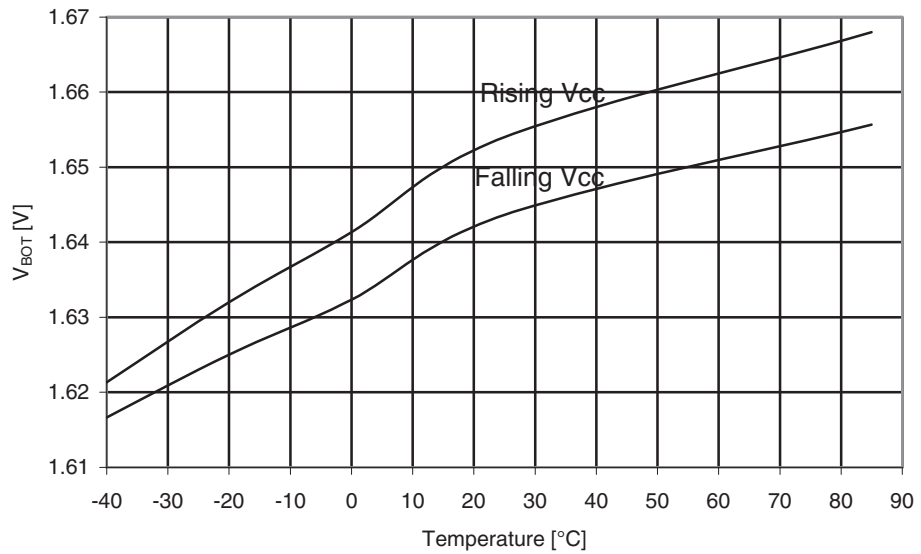
$V_{IL}$  - I/O Pin Read as "0"



### 35.8 Bod Thresholds

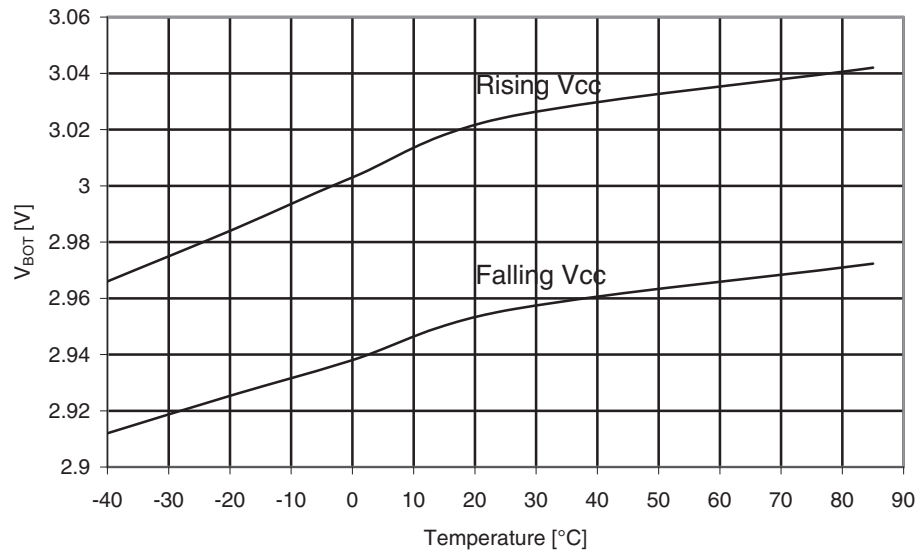
**Figure 35-32.** BOD Thresholds vs. Temperature

BOD Level = 1.6V



**Figure 35-33.** BOD Thresholds vs. Temperature

*BOD Level = 2.9V*

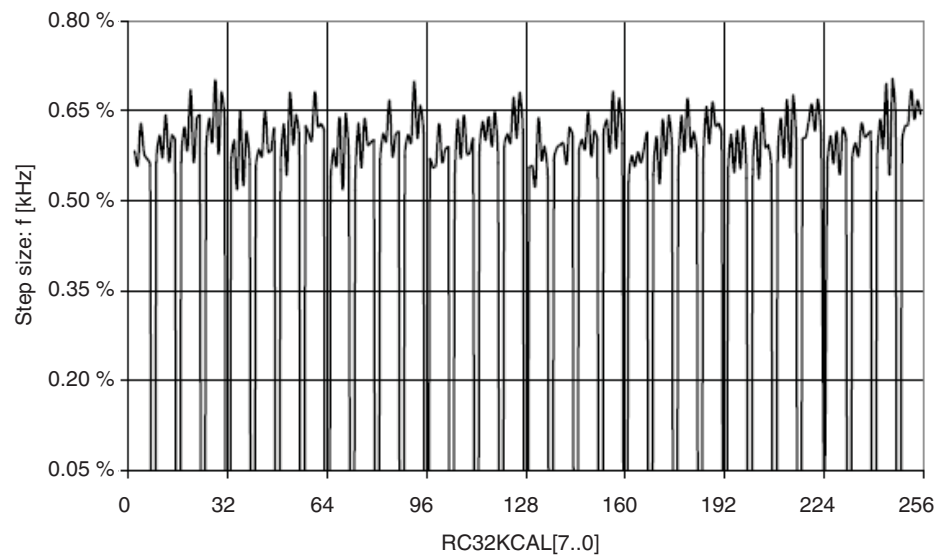


## 35.9 Oscillators and Wake-up Time

### 35.9.1 Internal 32.768 kHz Oscillator

**Figure 35-34.** Internal 32.768 kHz Oscillator Calibration Step Size

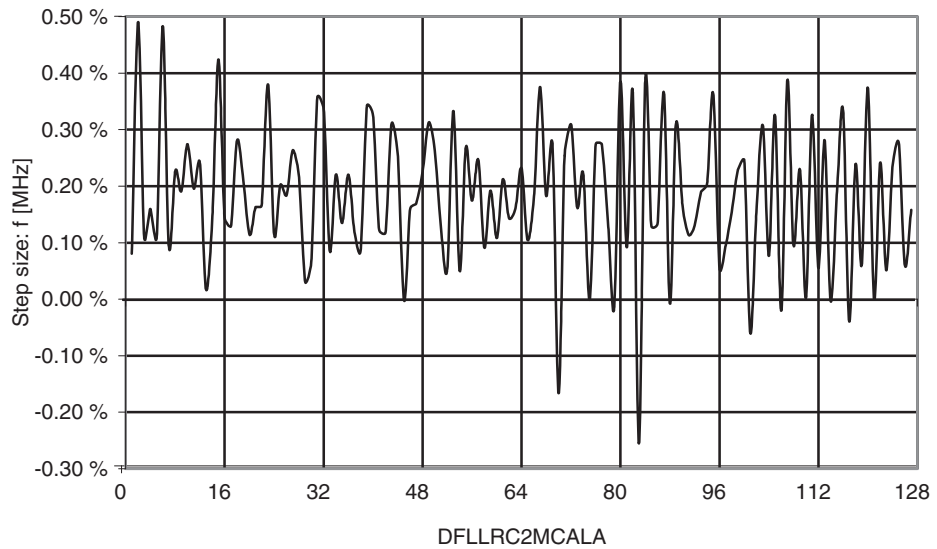
*T = -40 to 85°C, V<sub>CC</sub> = 3V*



35.9.2 Internal 2 MHz Oscillator

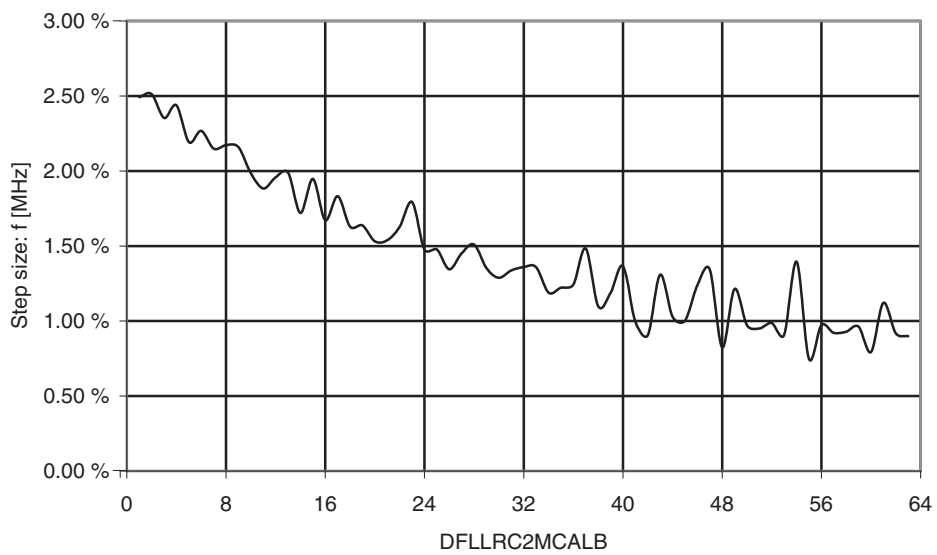
**Figure 35-35.** Internal 2 MHz Oscillator CALA Calibration Step Size

*T = -40 to 85°C, V<sub>CC</sub> = 3V*



**Figure 35-36.** Internal 2 MHz Oscillator CALB Calibration Step Size

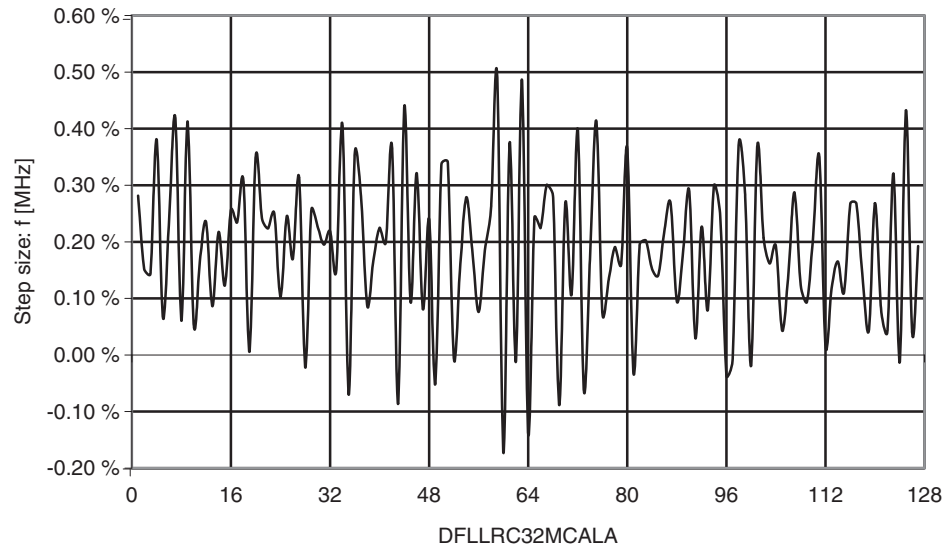
*T = -40 to 85°C, V<sub>CC</sub> = 3V*



35.9.3 Internal 32 MHz Oscillator

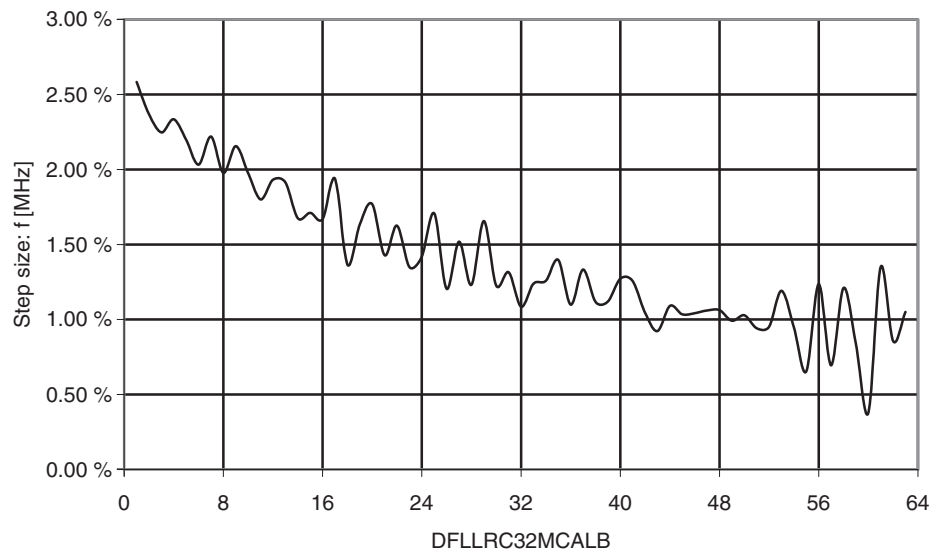
**Figure 35-37.** Internal 32 MHz Oscillator CALA Calibration Step Size

*T = -40 to 85°C, V<sub>CC</sub> = 3V*



**Figure 35-38.** Internal 32 MHz Oscillator CALB Calibration Step Size

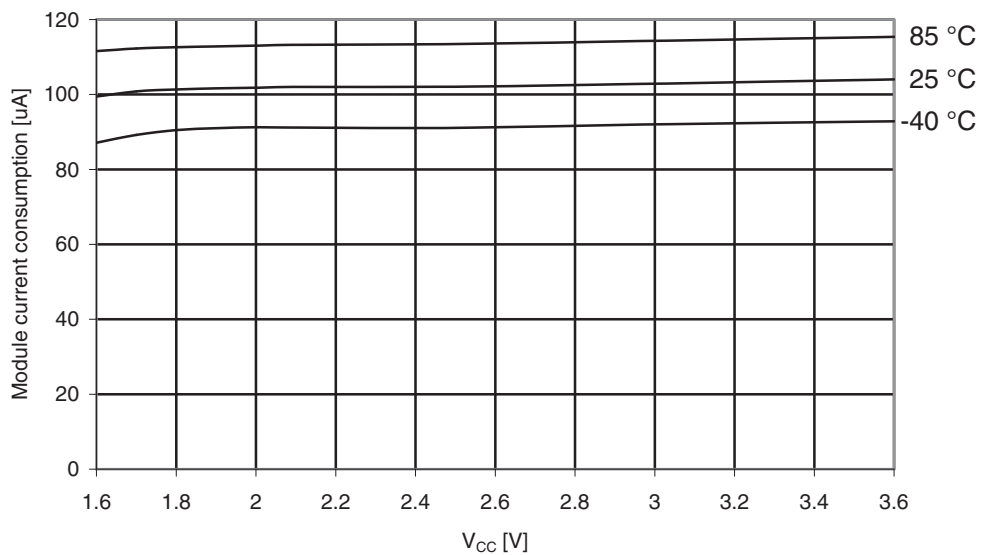
*T = -40 to 85°C, V<sub>CC</sub> = 3V*



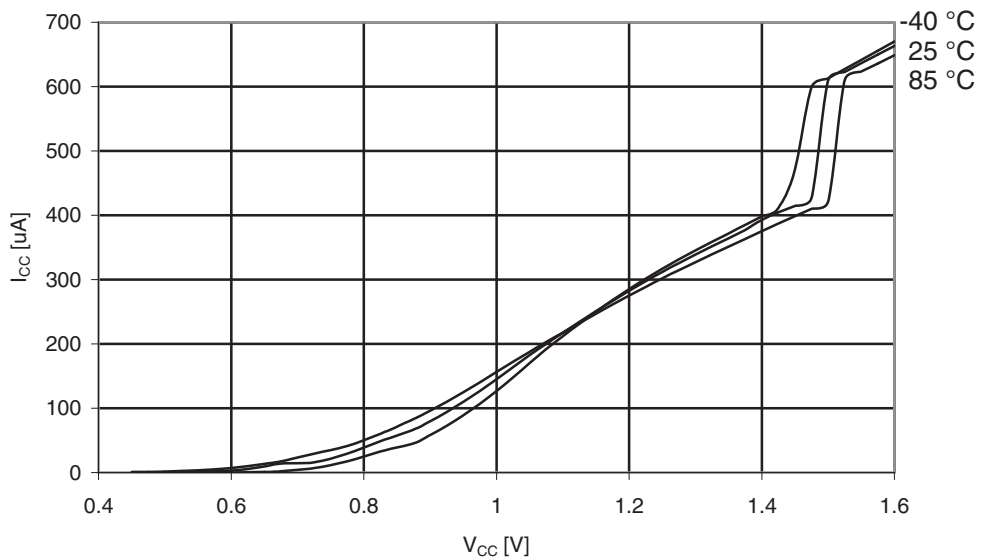
### 35.10 Module current consumption

**Figure 35-39.** AC current consumption vs. V<sub>CC</sub>

*Low-power Mode*

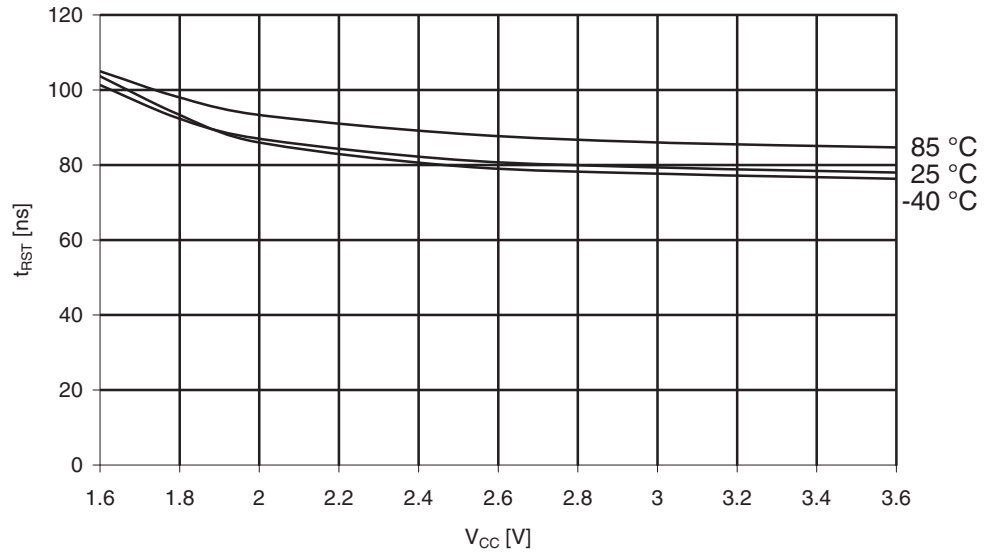


**Figure 35-40.** Power-up current consumption vs. V<sub>CC</sub>



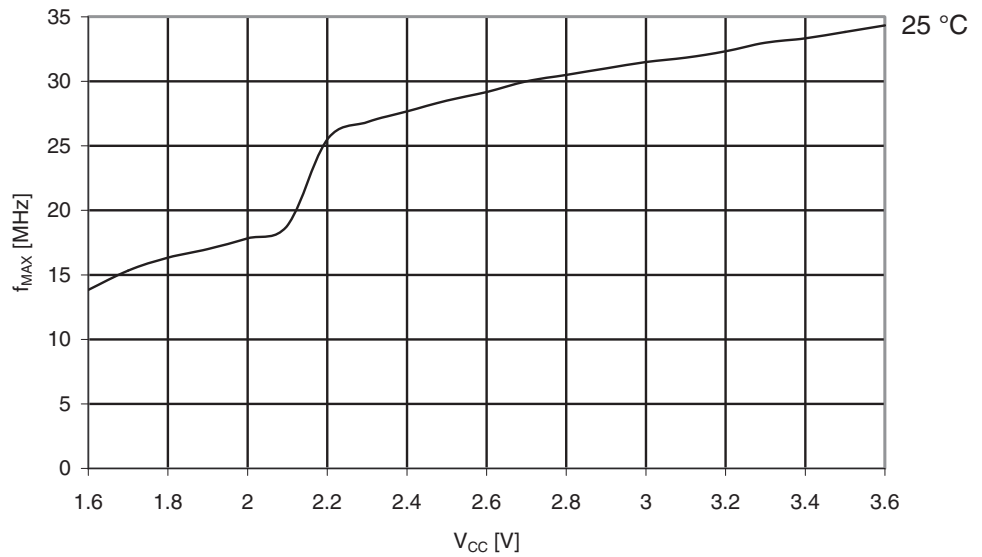
### 35.11 Reset Pulsewidth

Figure 35-41. Minimum Reset Pulse Width vs. Vcc



### 35.12 PDI Speed

Figure 35-42. PDI Speed vs. Vcc



## 36. Errata

### 36.1 ATxmega256A3B

#### 36.1.1 rev. C

- Bandgap voltage input for the ACs cannot be changed when used for both ACs simultaneously
- ADC gain stage output range is limited to 2.4V
- Sampled BOD in Active mode will cause noise when bandgap is used as reference
- Bandgap measurement with the ADC is non-functional when  $V_{CC}$  is below 2.7V
- BOD will be enabled after any reset
- ADC has increased INL error for some operating conditions
- DAC has increased INL or noise for some operating conditions
- VCC voltage scaler for AC is non-linear
- Maximum operating frequency below 1.76V is 8 MHz

#### 1. Bandgap voltage input for the ACs cannot be changed when used for both ACs simultaneously

If the bandgap voltage is selected as input for one Analog Comparator (AC) and then selected/deselected as input for the another AC, the first comparator will be affected for up to 1 us and could potentially give a wrong comparison result.

##### Problem fix/Workaround

If the Bandgap is required for both ACs simultaneously, configure the input selection for both ACs before enabling any of them.

#### 2. ADC gain stage output range is limited to 2.4 V

The amplified output of the ADC gain stage will never go above 2.4 V, hence the differential input will only give correct output when below 2.4 V/gain. For the available gain settings, this gives a differential input range of:

- 1x gain: 2.4 V
- 2x gain: 1.2 V
- 4x gain: 0.6 V
- 8x gain: 300 mV
- 16x gain: 150 mV
- 32x gain: 75 mV
- 64x gain: 38 mV

##### Problem fix/Workaround

Keep the amplified voltage output from the ADC gain stage below 2.4 V in order to get a correct result, or keep ADC voltage reference below 2.4 V.

#### 3. Sampled BOD in Active mode will cause noise when bandgap is used as reference

Using the BOD in sampled mode when the device is running in Active or Idle mode will add noise on the bandgap reference for ADC, DAC and Analog Comparator.

**Problem fix/Workaround**

If the bandgap is used as reference for either the ADC, DAC and Analog Comparator, the BOD must not be set in sampled mode.

**4. Bandgap measurement with the ADC is non-functional when  $V_{CC}$  is below 2.7V**

The ADC cannot be used to do bandgap measurements when  $V_{CC}$  is below 2.7V.

**Problem fix/Workaround**

Use the bandgap as reference, and measure a known value to be able to calculate the bandgap value rather than measuring the bandgap directly.

**5. BOD will be enabled after any reset**

If any reset source goes active, the BOD will be enabled and keep the device in reset if the VCC voltage is below the programmed BOD level. During Power-On Reset, reset will not be released until VCC is above the programmed BOD level even if the BOD is disabled.

**Problem fix/Workaround**

Do not set the BOD level higher than VCC even if the BOD is not used.

**6. ADC has increased INL error for some operating conditions**

Some ADC configurations or operating condition will result in increased INL error.

In differential mode INL is increased to:

- 6 LSB for sample rates above 1 Msps, and up to 8 LSB for 2 Msps sample rate.
  - 6 LSB for reference voltage below 1.1V when VCC is above 3.0V.
  - 20 LSB for ambient temperature below 0 degree C and reference voltage below 1.3V.
- In single ended mode, the INL is increased up to a factor of 3 for the conditions above.

**Problem fix/Workaround**

None, avoid using the ADC in the above configurations in order to prevent increased INL error.

**7. DAC has increased INL or noise for some operating conditions**

Some DAC configurations or operating condition will result in increased output error.

- INL error is increased up to 35 LSB when  $V_{CC} < 2.0V$
- Enabling Sample and Hold, will increase noise and reduce resolution below 8 bit

**Problem fix/Workaround**

None, avoid using the DAC in the above configurations in order to prevent increased INL error.

**8. VCC voltage scaler for AC is non-linear**

The 6-bit VCC voltage scaler in the Analog Comparators is non-linear.

**Problem fix/Workaround**

Use external voltage input for the analog comparator if accurate voltage levels are needed.

**9. Maximum operating frequency below 1.76V is 8 MHz**

To ensure correct operation, the maximum operating frequency below 1.76V VCC is 8 MHz.

**Problem fix/Workaround**

None, avoid running the device outside this frequency and voltage limitation.



## 37. Datasheet Revision History

Please note that the referring page numbers in this section are referred to this document. The referring revision in this section are referring to the document revision.

### 37.1 8116H - 06/10

1. Updated Footnote 2 of [Figure 2-1 on page 3](#).
2. Updated ["Features" on page 28](#). Event Channel 0 output on port pin 7.
3. Updated ["Timer/Counter and AWEX functions" on page 50](#).
4. Updated ["Alternate Pin Functions" on page 52](#).
5. Updated [Table 30-3 on page 52](#). Pin 15 is VCC.
6. Updated ["DC Characteristics" on page 64](#) by adding I<sub>cc</sub> for Flash/EEPROM Programming.
7. Added AVCC in ["ADC Characteristics" on page 68](#).
8. Updated Start up time in ["ADC Characteristics" on page 68](#).
9. Updated ["DAC Characteristics" on page 69](#). Removed DC output impedance.
10. Updated ["VBAT and Battery Backup Characteristics" on page 73](#).
11. Updated [Figure 35-6 on page 76](#). Replaced the figure by a correct one.
12. Fixed typo in ["Errata" section](#).
13. Editorial updates.

### 37.2 8116G - 05/10

1. Updated the device pin-out [Figure 2-1 on page 3](#). PDI\_CLK and PDI\_DATA renamed only PDI.
2. Deleted page with duplicated information on Production Signature Row in ["Production Signature Row" on page 12](#).
3. Changed value for Crystal Oscillator from 32 kHz to 32.768 kHz in ["Clock Options" on page 18](#).
4. Updated ["DAC - 12-bit Digital to Analog Converter" on page 44](#). DAC uses internal 1.0 voltage.
5. Updated ["Timer/Counter and AWEX functions" on page 50](#).
6. Updated ["Alternate Pin Functions" on page 52](#).
7. Updated ["Operating voltage and frequency" on page 66](#) by replacing SYS to CPU.
8. Replaced [Table 34-3 on page 67](#).
9. Updated [Table 34-3 on page 67](#), Endurance and Data Retention.
11. Updated ["PAD Characteristics" on page 70](#). Input hysteresis is in V and not in mV.
12. Added new table ["Maximum load capacitance \(CL\) and ESR recommendation for 32.768 kHz Crystal" on page 72](#).
13. Added new table ["Device wake-up time from sleep" on page 72](#).
14. Updated [Table 34-20 on page 73](#).

15. Changed Internal Oscillator Speed to ["Oscillators and Wake-up Time"](#) on page 90.
16. Added characterization for PDI speed in [Figure 35-42](#) on page 94.
17. Updated ["Errata"](#) on page 95.

**37.3 8116F - 09/09**

1. Updated ["DC Characteristics"](#) on page 64.
2. Added ["Flash and EEPROM Memory Characteristics"](#) on page 67.
3. Added [""](#) on page 72.
4. Updated ["Errata"](#) on page 95.

**37.4 8116E - 06/09**

1. Updated ["Electrical Characteristics"](#) on page 64.
2. Added ["Typical Characteristics"](#) on page 74.
3. Updated ["Errata"](#) on page 95.

**37.5 8116D - 04/09**

1. Updated ["Ordering Information"](#) on page 2.
2. Editorial updates.

**37.6 8116C - 02/09**

1. Added ["Errata"](#) on page 95 for ATxmega256A3B rev B.

**37.7 8116B - 12/08**

1. Added ["Errata"](#) on page 95 for ATxmega256A3B rev A.

**37.8 8116A - 11/08**

1. Initial version.



**Table of Contents**

**Features ..... 1**

**Typical Applications ..... 1**

**1 Ordering Information ..... 2**

**2 Pinout/Block Diagram ..... 3**

**3 Overview ..... 4**

    3.1 Block Diagram ..... 5

**4 Resources ..... 6**

    4.1 Recommended reading ..... 6

**5 Disclaimer ..... 6**

**6 AVR CPU ..... 7**

    6.1 Features ..... 7

    6.2 Overview ..... 7

    6.3 Register File ..... 8

    6.4 ALU - Arithmetic Logic Unit ..... 8

    6.5 Program Flow ..... 8

**7 Memories ..... 9**

    7.1 Features ..... 9

    7.2 Overview ..... 9

    7.3 In-System Programmable Flash Program Memory ..... 10

    7.4 Data Memory ..... 10

    7.5 Production Signature Row ..... 12

    7.6 User Signature Row ..... 12

    7.7 Flash and EEPROM Page Size ..... 13

**8 DMAC - Direct Memory Access Controller ..... 14**

    8.1 Features ..... 14

    8.2 Overview ..... 14

**9 Event System ..... 15**

    9.1 Features ..... 15

    9.2 Overview ..... 15

**10 System Clock and Clock options ..... 17**

    10.1 Features ..... 17

10.2	Overview .....	17
10.3	Clock Options .....	18
<b>11</b>	<b><i>Power Management and Sleep Modes .....</i></b>	<b>20</b>
11.1	Features .....	20
11.2	Overview .....	20
11.3	Sleep Modes .....	20
<b>12</b>	<b><i>System Control and Reset .....</i></b>	<b>22</b>
12.1	Features .....	22
12.2	Resetting the AVR .....	22
12.3	Reset Sources .....	22
12.4	WDT - Watchdog Timer .....	23
<b>13</b>	<b><i>Battery Backup System .....</i></b>	<b>24</b>
13.1	Features .....	24
13.2	Overview .....	24
<b>14</b>	<b><i>PMIC - Programmable Multi-level Interrupt Controller .....</i></b>	<b>26</b>
14.1	Features .....	26
14.2	Overview .....	26
14.3	Interrupt vectors .....	26
<b>15</b>	<b><i>I/O Ports .....</i></b>	<b>28</b>
15.1	Features .....	28
15.2	Overview .....	28
15.3	I/O configuration .....	28
15.4	Input sensing .....	31
15.5	Port Interrupt .....	31
15.6	Alternate Port Functions .....	31
<b>16</b>	<b><i>T/C - 16-bit Timer/Counter with PWM .....</i></b>	<b>32</b>
16.1	Features .....	32
16.2	Overview .....	32
<b>17</b>	<b><i>AWEX - Advanced Waveform Extension .....</i></b>	<b>34</b>
17.1	Features .....	34
17.2	Overview .....	34
<b>18</b>	<b><i>Hi-Res - High Resolution Extension .....</i></b>	<b>35</b>
18.1	Features .....	35

18.2	Overview .....	35
<b>19</b>	<b><i>RTC32 - 32-bit Real-Time Counter</i></b> .....	<b>36</b>
19.1	Features .....	36
<b>20</b>	<b><i>TWI - Two Wire Interface</i></b> .....	<b>37</b>
20.1	Features .....	37
20.2	Overview .....	37
<b>21</b>	<b><i>SPI - Serial Peripheral Interface</i></b> .....	<b>38</b>
21.1	Features .....	38
21.2	Overview .....	38
<b>22</b>	<b><i>USART</i></b> .....	<b>39</b>
22.1	Features .....	39
22.2	Overview .....	39
<b>23</b>	<b><i>IRCOM - IR Communication Module</i></b> .....	<b>40</b>
23.1	Features .....	40
23.2	Overview .....	40
<b>24</b>	<b><i>Crypto Engine</i></b> .....	<b>41</b>
24.1	Features .....	41
24.2	Overview .....	41
<b>25</b>	<b><i>ADC - 12-bit Analog to Digital Converter</i></b> .....	<b>42</b>
25.1	Features .....	42
25.2	Overview .....	42
<b>26</b>	<b><i>DAC - 12-bit Digital to Analog Converter</i></b> .....	<b>44</b>
26.1	Features .....	44
26.2	Overview .....	44
<b>27</b>	<b><i>AC - Analog Comparator</i></b> .....	<b>45</b>
27.1	Features .....	45
27.2	Overview .....	45
27.3	Input Selection .....	47
27.4	Window Function .....	47
<b>28</b>	<b><i>OCD - On-chip Debug</i></b> .....	<b>48</b>
28.1	Features .....	48
28.2	Overview .....	48

<b>29</b>	<b><i>Program and Debug Interfaces</i></b> .....	<b>49</b>
	29.1 Features .....	49
	29.2 Overview .....	49
	29.3 JTAG interface .....	49
	29.4 PDI - Program and Debug Interface .....	49
<b>30</b>	<b><i>Pinout and Pin Functions</i></b> .....	<b>50</b>
	30.1 Alternate Pin Function Description .....	50
	30.2 Alternate Pin Functions .....	52
<b>31</b>	<b><i>Peripheral Module Address Map</i></b> .....	<b>57</b>
<b>32</b>	<b><i>Instruction Set Summary</i></b> .....	<b>58</b>
<b>33</b>	<b><i>Packaging information</i></b> .....	<b>62</b>
	33.164A .....	62
	33.264M2 .....	63
<b>34</b>	<b><i>Electrical Characteristics</i></b> .....	<b>64</b>
	34.1 Absolute Maximum Ratings* .....	64
	34.2 DC Characteristics .....	64
	34.3 Operating Voltage and Frequency .....	66
	34.4 Flash and EEPROM Memory Characteristics .....	67
	34.5 ADC Characteristics .....	68
	34.6 DAC Characteristics .....	69
	34.7 Analog Comparator Characteristics .....	69
	34.8 Bandgap Characteristics .....	69
	34.9 Brownout Detection Characteristics .....	70
	34.10 PAD Characteristics .....	70
	34.11 POR Characteristics .....	71
	34.12 Reset Characteristics .....	71
	34.13 Oscillator Characteristics .....	71
	34.14 VBAT and Battery Backup Characteristics .....	73
<b>35</b>	<b><i>Typical Characteristics</i></b> .....	<b>74</b>
	35.1 Active Supply Current .....	74
	35.2 Idle Supply Current .....	77
	35.3 Power-down Supply Current .....	81
	35.4 Power-save Supply Current .....	82
	35.5 Pin Pull-up .....	82

35.6	Pin Output Voltage vs. Sink/Source Current .....	84
35.7	Pin Thresholds and Hysteresis .....	87
35.8	Bod Thresholds .....	89
35.9	Oscillators and Wake-up Time .....	90
35.10	Module current consumption .....	93
35.11	Reset Pulsewidth .....	94
35.12	PDI Speed .....	94
<b>36</b>	<b><i>Errata</i></b> .....	<b>95</b>
36.1	ATxmega256A3B .....	95
<b>37</b>	<b><i>Datasheet Revision History</i></b> .....	<b>97</b>
37.1	8116H - 06/10 .....	97
37.2	8116G - 05/10 .....	97
37.3	8116F - 09/09 .....	98
37.4	8116E - 06/09 .....	98
37.5	8116D - 04/09 .....	98
37.6	8116C - 02/09 .....	98
37.7	8116B - 12/08 .....	98
37.8	8116A - 11/08 .....	98
	<b><i>Table of Contents</i></b> .....	<b><i>i</i></b>





## Headquarters

---

**Atmel Corporation**  
2325 Orchard Parkway  
San Jose, CA 95131  
USA  
Tel: 1(408) 441-0311  
Fax: 1(408) 487-2600

## International

---

**Atmel Asia**  
Unit 1-5 & 16, 19/F  
BEA Tower, Millennium City 5  
418 Kwun Tong Road  
Kwun Tong, Kowloon  
Hong Kong  
Tel: (852) 2245-6100  
Fax: (852) 2722-1369

**Atmel Europe**  
Le Krebs  
8, Rue Jean-Pierre Timbaud  
BP 309  
78054 Saint-Quentin-en-  
Yvelines Cedex  
France  
Tel: (33) 1-30-60-70-00  
Fax: (33) 1-30-60-71-11

**Atmel Japan**  
9F, Tonetsu Shinkawa Bldg.  
1-24-8 Shinkawa  
Chuo-ku, Tokyo 104-0033  
Japan  
Tel: (81) 3-3523-3551  
Fax: (81) 3-3523-7581

## Product Contact

---

**Web Site**  
[www.atmel.com](http://www.atmel.com)

**Technical Support**  
[avr@atmel.com](mailto:avr@atmel.com)

**Sales Contact**  
[www.atmel.com/contacts](http://www.atmel.com/contacts)

**Literature Requests**  
[www.atmel.com/literature](http://www.atmel.com/literature)

---

**Disclaimer:** The information in this document is provided in connection with Atmel products. No license, express or implied, by estoppel or otherwise, to any intellectual property right is granted by this document or in connection with the sale of Atmel products. **EXCEPT AS SET FORTH IN ATMEL'S TERMS AND CONDITIONS OF SALE LOCATED ON ATMEL'S WEB SITE, ATMEL ASSUMES NO LIABILITY WHATSOEVER AND DISCLAIMS ANY EXPRESS, IMPLIED OR STATUTORY WARRANTY RELATING TO ITS PRODUCTS INCLUDING, BUT NOT LIMITED TO, THE IMPLIED WARRANTY OF MERCHANTABILITY, FITNESS FOR A PARTICULAR PURPOSE, OR NON-INFRINGEMENT. IN NO EVENT SHALL ATMEL BE LIABLE FOR ANY DIRECT, INDIRECT, CONSEQUENTIAL, PUNITIVE, SPECIAL OR INCIDENTAL DAMAGES (INCLUDING, WITHOUT LIMITATION, DAMAGES FOR LOSS OF PROFITS, BUSINESS INTERRUPTION, OR LOSS OF INFORMATION) ARISING OUT OF THE USE OR INABILITY TO USE THIS DOCUMENT, EVEN IF ATMEL HAS BEEN ADVISED OF THE POSSIBILITY OF SUCH DAMAGES.** Atmel makes no representations or warranties with respect to the accuracy or completeness of the contents of this document and reserves the right to make changes to specifications and product descriptions at any time without notice. Atmel does not make any commitment to update the information contained herein. Unless specifically provided otherwise, Atmel products are not suitable for, and shall not be used in, automotive applications. Atmel's products are not intended, authorized, or warranted for use as components in applications intended to support or sustain life.

© 2010 Atmel Corporation. All rights reserved. Atmel®, Atmel logo and combinations thereof, AVR®, AVR® logo and others are registered trademarks, XMEGA™ and others are trademarks of Atmel Corporation or its subsidiaries. Other terms and product names may be trademarks of others.