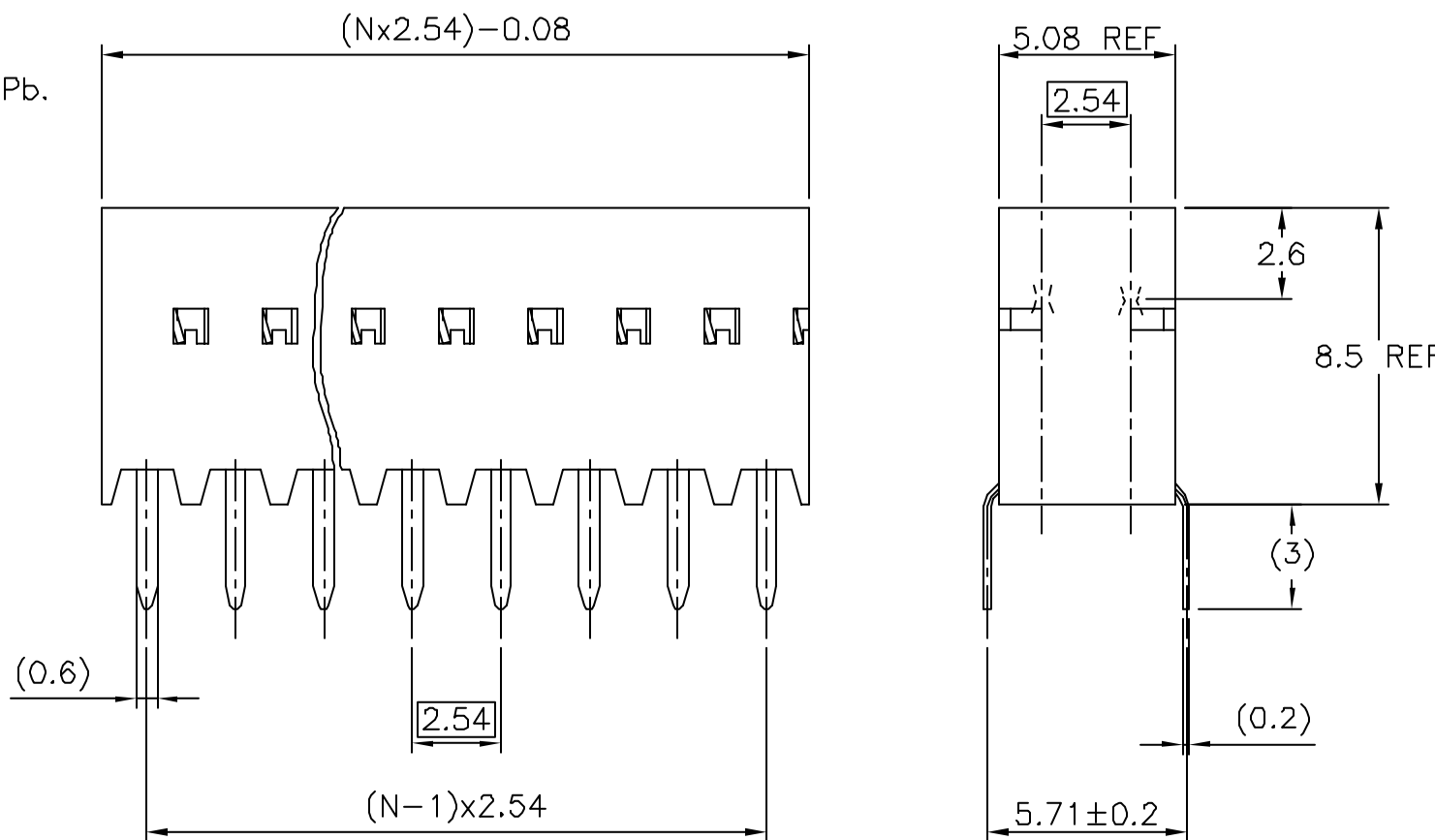
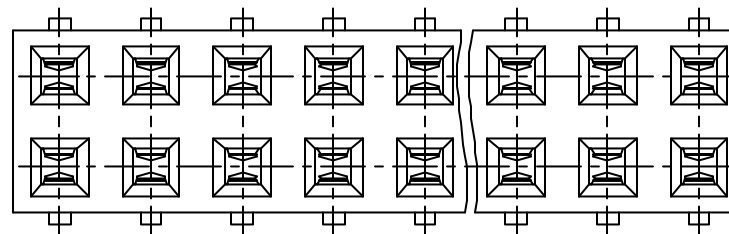


PRODUCT NUMBER  
89892-YXXLF

WHEN NEEDED, SUFFIX LETTER "LF"  
INDICATES THE PRODUCT IS RoHS  
COMPATIBLE, SEE NOTE 5.

NUMBER OF POSITIONS PER ROW: 02 to 50

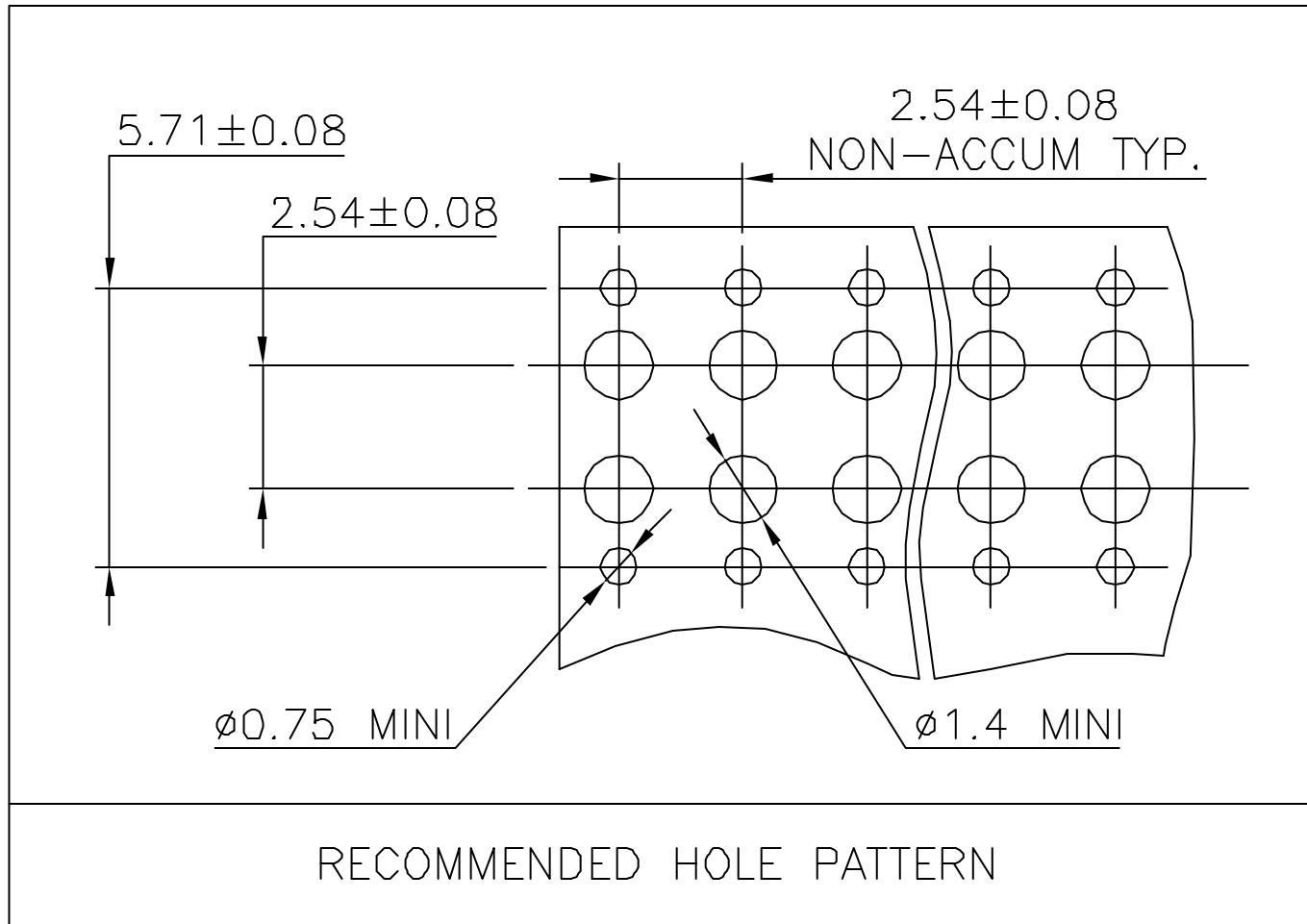
PLATING CODE  
3= 0.76µm GOLD ON CONTACT AREA  
3.81µm TIN-LEAD ON TAIL  
4= 5µm TIN-LEAD ON CONTACT AREA  
3.81µm TIN-LEAD ON TAIL  
WHEN SUFFIX "LF" IS REQUIRED, 2µm MIN MATTE  
TIN OVER 1.27 MIN Ni IS SUPPLIED INSTEAD OF SnPb.



NOTES:

- 1 - HOUSING MAT'L: THERMOPLASTIC GLASS FILLED  
FLAME RETARDANT PER UL 94 V-0 COLOR: BLUE.
- 2 - TERMINAL MATERIAL : PHOSPHOR BRONZE.
- 3 - 02 UP TO 04 POSITIONS PRODUCT PACKED IN PLASTIC BOX.  
05 UP TO 50 POSITIONS PRODUCT PACKED IN TUBE.
- 4 - TO DETERMINE DIMENSIONS :  
N = NUMBER OF POSITIONS PER ROW  
EXAMPLE: 8 POS:  $(N \times 2.54) - 0.08 = 20.24$  mm
- 5 - RoHS COMPATIBLE PRODUCT SPECIFICATIONS
  - a - PLATING:
    - "LF" MEANS THE PRODUCT IS LEAD-FREE,  
2µm MINIMUM MATTE TIN OVER 1.27µm  
MINIMUM NICKEL UNDERPLATE.
  - b - MANUFACTURING PROCESS COMPATIBILITY
    - THE HOUSING WILL WITHSTAND EXPOSURE TO  
260°C ±5°C SOLDER BATH TEMPERATURE FOR  
5 SECONDS IN A WAVE SOLDER APPLICATION  
WITH A 1.6mm MIN THICK CIRCUIT BOARD.
  - c - LABELING:
    - MEETS PACKAGING SPECS AS PER GS-14-920
  - d - LEGAL STATEMENT: SEE GS-22-008

mat'l. code		surface		tolerance		projection		product family	
SEE NOTES		ISO 1302 ✓		ISO 406 ISO 1101		mm		DUBOX	
ltr	ecn no	dr	date	tolerances unless otherwise specified		mm		title	
C	F80638	PNZ	98.10.14	angles	Linear	mm		BtB RECEPT. VERT DR TMT	
D	F10116	GCO	01.01.23	±2'		scale 5:1		dwg no	
E	F04-0347	DLE	04.09.28					sheet 1 of 2	
F	F06.0204	DLE	06.06.21	dr	D LEGRAND	04.09.28	FCJ		size
				enr	P NIZZI	04.09.28			89892
				chr	D LEGRAND	04.09.28			A3
				appd	P NZ	04.09.28			type
sheet	revision	F	B					CUSTOMER Drawing	
index	sheet	1	2						



FCI  
FCIconnect.com

Copyright FCI

mat'l. code SEE SHEET 1				surface ISO 1302 ✓		tolerance ISO 406 ISO 1101		projection 		product family DUBOX			
Ltr				ecn no		dr		date		title			
A				F04-0347		DLE		04.09.28		BtB RECEPT. VERT DR TMT			
B				F06-0204		DLE		06.06.21					
				tolerances unless otherwise specified		±0.3		mm		scale 5:1			
				angles		linear		±2'		dwg no 89892 sheet 2 of 2 size A4 type CUSTOMER Drawing			
				dr		D LEGRAND		04.09.28					
				enr		P NIZZI		04.09.28					
				chr		D LE		04.09.28					
				appd		P NZ		04.09.28					
sheet index		revision sheet											