

PLEASE CHECK WWW.MOLEX.COM FOR LATEST PART INFORMATION

Part Number: [0471518252](#)
Status: **Active**
Overview: high definition multimedia interface hdmi
Description: 0.50mm (.020") Pitch HDMI* Receptacle, Right Angle, Front Solder Tab Length 1.80mm (.071"), Contact Gold (Au) Flash Plating, with Flange and Back Cover and Dimple, Tray Packaging, Black Housing, 19 Circuits, Lead Free

Documents:

[3D Model](#) [Product Specification PS-47152-001 \(PDF\)](#)
[Drawing \(PDF\)](#) [RoHS Certificate of Compliance \(PDF\)](#)

General

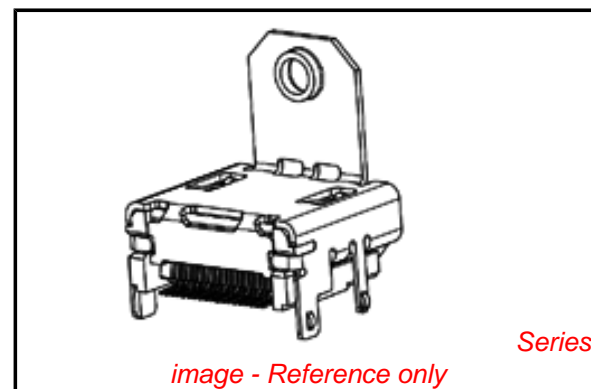
Product Family	I/O Connectors
Series	47151
Application	Wire-to-Board
Component Type	Receptacle
Overview	high definition multimedia interface hdmi
Product Name	HDMI
Type	N/A

Physical

Boot Color	N/A
Circuits (Loaded)	19
Color - Resin	Black
Gender	Male
Keying to Mating Part	Yes
Lock to Mating Part	Yes
Material - Metal	Copper Alloy
Material - Plating Mating	Gold
Material - Plating Termination	Tin-Bismuth
Material - Resin	High Temperature Thermoplastic
Number of Rows	2
Orientation	Right Angle
PCB Locator	No
PCB Retention	Yes
Packaging Type	Tray
Panel Mount	With Flange
Pitch - Mating Interface (in)	0.020 In
Pitch - Mating Interface (mm)	0.50 mm
Pitch - Term. Interface (in)	0.020 In
Pitch - Term. Interface (mm)	0.50 mm
Plating min: Mating (µin)	2
Plating min: Mating (µm)	0.05
Plating min: Termination (µin)	40
Plating min: Termination (µm)	1
Polarized to Mating Part	Yes
Polarized to PCB	Yes
Ports	1
Temperature Range - Operating	-20°C to +85°C
Termination Interface: Style	Surface Mount
Waterproof / Dustproof	No
Wire Size AWG	N/A

Electrical

Current - Maximum per Contact	.5A
Shielded	Yes



EU RoHS

**ELV and RoHS
Compliant**
REACH SVHC
 Not Reviewed
**Halogen-Free
Status**
 Not Reviewed

China RoHS



**Need more information on product
environmental compliance?**

Email productcompliance@molex.com
 For a multiple part number RoHS Certificate of Compliance, [click here](#)

Please visit the [Contact Us](#) section for any non-product compliance questions.

Search Parts in this Series

[47151Series](#)

Mates With

[88768](#) HDMI cable assembly, [88764](#) HDMI Adapter, [88767](#) HDMIAdapter

Voltage - Maximum 40V DC

Solder Process Data

Duration at Max. Process Temperature (seconds)	48
Lead-free Process Capability	Reflow Capable (SMT only)
Max. Cycles at Max. Process Temperature	2
Process Temperature max. C	255

Material Info

Reference - Drawing Numbers

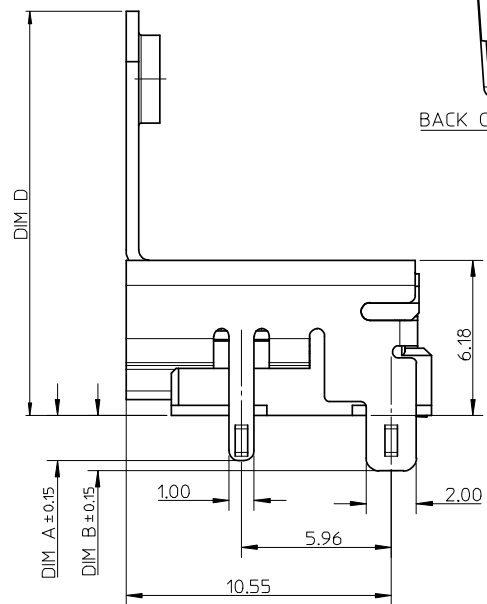
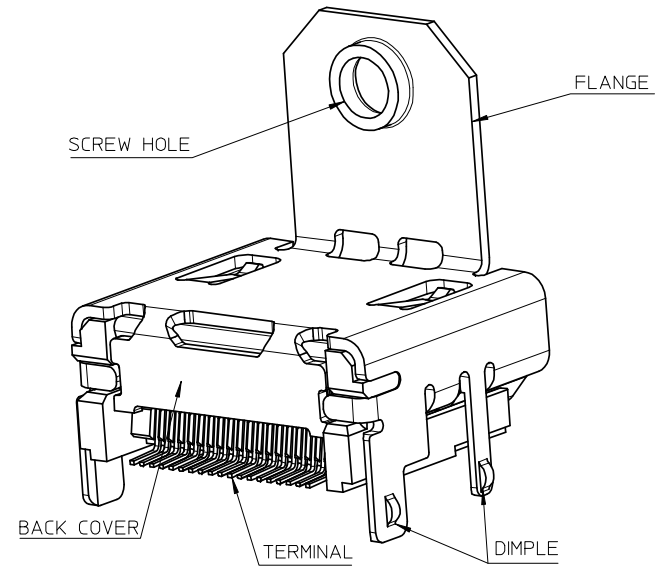
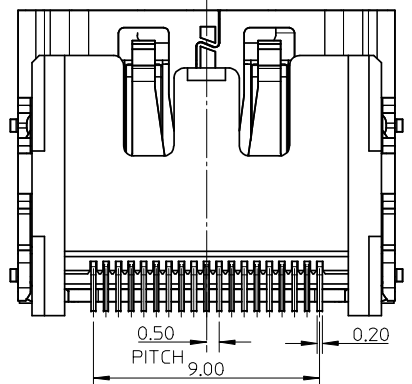
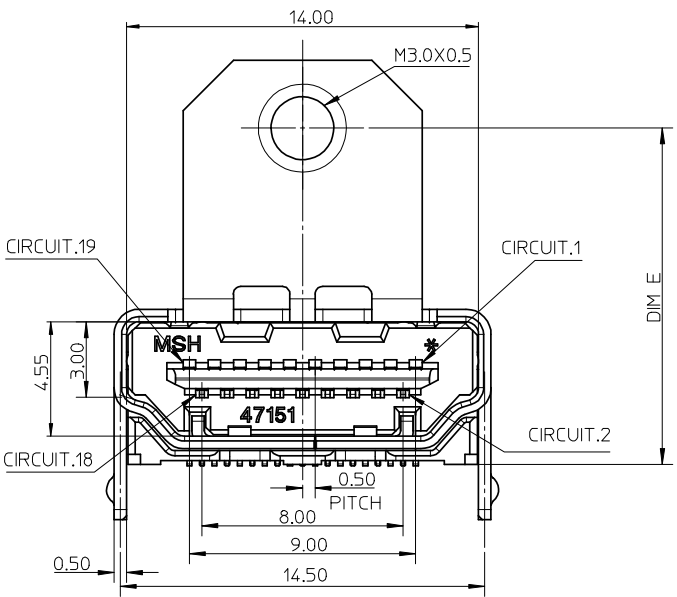
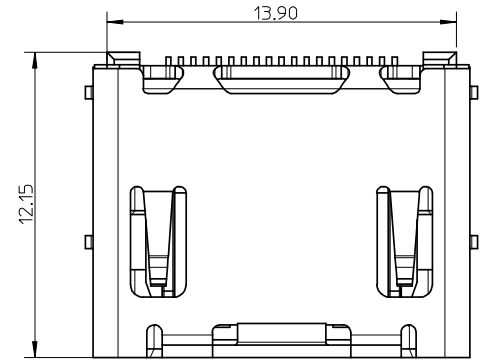
Packaging Specification	PK-47151-002
Product Specification	PS-47152-001
Sales Drawing	SD-47151-201

* High Definition Multimedia Interface and HDMI are trademarks of HDMI Licensing, LLC.

This document was generated on 05/19/2010

PLEASE CHECK WWW.MOLEX.COM FOR LATEST PART INFORMATION

10 9 8 7 6 5 4 3 2 1



NEW RELEASE
 EC NO: SH2009-0025
 DRW: CWTANG 2008/07/24
 CHKD:
 APPR: HWANG 2008/08/19

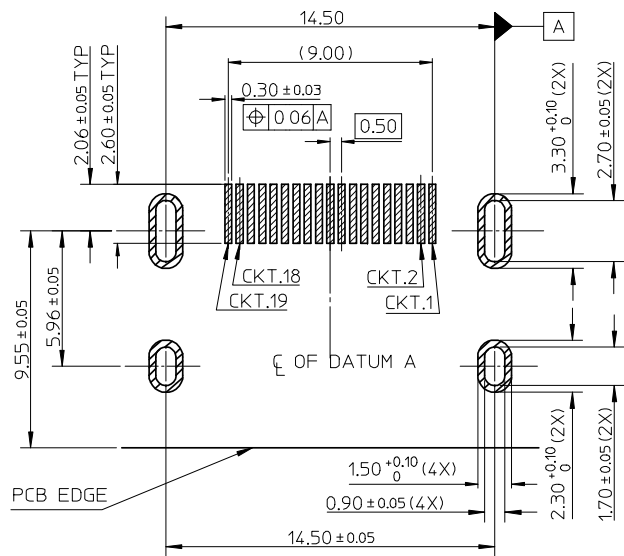
QUALITY SYMBOLS

GENERAL TOLERANCES (UNLESS SPECIFIED)	
	mm INCH
4 PLACES	± --- ± ---
3 PLACES	± --- ± ---
2 PLACES	± 0.25 ± ---
1 PLACE	± --- ± ---
ANGULAR ± 3 °	
DRAFT WHERE APPLICABLE MUST REMAIN WITHIN DIMENSIONS	

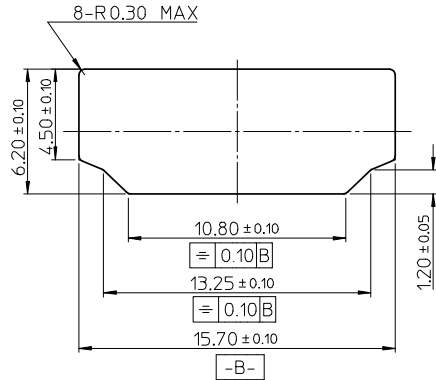
DIMENSION STYLE	
MM ONLY	
DRAWN BY	DATE
JZENG	2006/09/06
CHECKED BY	DATE
JOHNSON TIAN	2006/09/07
APPROVED BY	DATE
JENNY CHEN	2006/09/07
MATERIAL NO.	
SEE SHEET 2	

SCALE	DESIGN UNITS	THIRD ANGLE PROJECTION
5:1	METRIC	
TITLE		
1.0 HDMI RIGHT ANGLE HEADER WITH DIMPLE TYPE LEAD FREE		
MOLEX INCORPORATED		SHEET NO.
DOCUMENT NO.		1 OF 2
THIS DRAWING CONTAINS INFORMATION THAT IS PROPRIETARY TO MOLEX INCORPORATED AND SHOULD NOT BE USED WITHOUT WRITTEN PERMISSION		

9 8 7 6 5 4 3 2 1



RECOMMENDED PCB LAYOUT
CONNECTOR SIDE



RECOMMENDED PANEL CUT OUT DIMENSION

NOTES:

- MATERIAL:
HOUSING: HIGH TEMPERATURE THERMAL PLASTIC .
SHELL: COPPER ALLOY
TERMINAL: COPPER ALLOY.
- PLATING:
TERMINAL: A>.CONTACT AREA: 0.76 MICROMETER MIN. GOLD PLATING.
B>.CONTACT AREA: 0.25 MICROMETER MIN. GOLD PLATING.
C>.CONTACT AREA: GOLD FLASH PLATING.
SOLDER AREA: 1 MICROMETER MIN. TIN-BISMUTH ALLOY PLATED.
UNDER PLATE: 1.27 MICROMETER MIN. NICKEL.
SHELL: (1) 1.27 MICROMETER MIN. SOLDERABLE NICKEL PLATE OVERALL.
- COPLANARITY IS 0.1MM MAX.
- PRODUCT SPECIFICATION REFER TO PS-47152-001.
- PACKAGE SPECIFICATION FOR WITHOUT FLANGE REFER TO PK-47151-001.
WITH FLANGE REFER TO PK-47151-002
- PRODUCT COMPLIANT TO ROHS DIRECTIVE 2002/95/EC AND ELV 2000/53/EC.

47151-8351	1.80	2.20	0.20	N/A	N/A	WITHOUT	WITH	WITH	PLATING C
47151-8252	1.80	2.20	0.20	14.25	11.28	WITH	WITH	WITH	PLATING B
47151-8341	1.80	2.20	0.20	N/A	N/A	WITHOUT	WITH	WITH	
47151-8242	1.80	2.20	0.20	14.25	11.28	WITH	WITH	WITH	PLATING A
47151-8331	1.80	2.20	0.20	N/A	N/A	WITHOUT	WITH	WITH	
47151-8212	1.80	2.20	0.20	14.25	11.28	WITH	WITH	WITH	PLATING A
PART NO.	A	B	C	D	E	FLANGE	BACK COVER	DIMPLE	CONTACT AREA PLATING

SEE SHEET 1 EC NO: SHZ009-0025 DRWN: CWTANG 2008/07/24 CHKD: XJSONG APPR: HWANG 2008/08/19	QUALITY SYMBOLS ▽=0 ∇=0	GENERAL TOLERANCES (UNLESS SPECIFIED)		DIMENSION STYLE MM ONLY		SCALE 5:1	DESIGN UNITS METRIC	THIRD ANGLE PROJECTION		
		mm	INCH	DRAWN BY JZENG	DATE 2006/09/06	TITLE 1.0 HDMI RIGHT ANGLE HEADER WITH DIMPLE TYPE LEAD FREE				
		4 PLACES ± --- ± ---	3 PLACES ± --- ± ---	CHECKED BY JOHNSON TIAN	DATE 2006/09/07	MOLEX INCORPORATED				
		2 PLACES ± 0.25 ± ---	1 PLACE ± --- ± ---	APPROVED BY JENNY CHEN	DATE 2006/09/07	MATERIAL NO.	DOCUMENT NO. SD-47151-201	SHEET NO. 2 OF 2		
DRAFT WHERE APPLICABLE MUST REMAIN WITHIN DIMENSIONS		ANGULAR ± 3 °		SEE CHART		THIS DRAWING CONTAINS INFORMATION THAT IS PROPRIETARY TO MOLEX INCORPORATED AND SHOULD NOT BE USED WITHOUT WRITTEN PERMISSION				