

**PLEASE CHECK WWW.MOLEX.COM FOR LATEST PART INFORMATION**

**Part Number:** [0471518221](#)  
**Status:** **Active**  
**Overview:** high definition multimedia interface hdmi  
**Description:** 0.50mm (.020") Pitch HDMI\* Receptacle, Right Angle, Gold (Au) Flash Plating, Mounted Height 16.08mm (.633"), Shell Nickel (Ni) Plated, with Flange and Back Cover, Solder Tabs with Dimples, Black Housing, Tray Packaging, Lead Free

**Documents:**

[3D Model](#) [Product Specification PS-47152-001 \(PDF\)](#)  
[Drawing \(PDF\)](#) [RoHS Certificate of Compliance \(PDF\)](#)

**General**

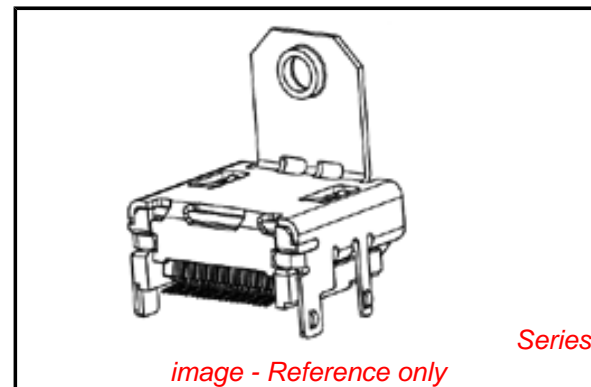
Product Family	I/O Connectors
Series	<a href="#">47151</a>
Application	Wire-to-Board
Component Type	Receptacle
Overview	<a href="#">high definition multimedia interface hdmi</a>
Product Name	HDMI
Type	N/A

**Physical**

Boot Color	N/A
Circuits (Loaded)	19
Color - Resin	Black
Gender	Male
Keying to Mating Part	Yes
Lock to Mating Part	Yes
Material - Metal	Copper Alloy
Material - Plating Mating	Gold
Material - Plating Termination	Tin-Bismuth
Material - Resin	High Temperature Thermoplastic
Number of Rows	2
Orientation	Right Angle
PCB Locator	No
PCB Retention	Yes
Packaging Type	Tray
Panel Mount	With Flange
Pitch - Mating Interface (in)	0.020 In
Pitch - Mating Interface (mm)	0.50 mm
Pitch - Term. Interface (in)	0.020 In
Pitch - Term. Interface (mm)	0.50 mm
Plating min: Mating (µin)	5
Plating min: Mating (µm)	0.05
Plating min: Termination (µin)	40
Plating min: Termination (µm)	1
Polarized to Mating Part	Yes
Polarized to PCB	Yes
Ports	1
Temperature Range - Operating	-20°C to +85°C
Termination Interface: Style	Surface Mount
Waterproof / Dustproof	No
Wire Size AWG	N/A

**Electrical**

Current - Maximum per Contact	.5A
Shielded	Yes



**EU RoHS**

**ELV and RoHS  
Compliant**  
**REACH SVHC  
Not Reviewed**  
**Halogen-Free  
Status  
Not Reviewed**

**China RoHS**



**Need more information on product  
environmental compliance?**

Email [productcompliance@molex.com](mailto:productcompliance@molex.com)  
 For a multiple part number RoHS Certificate of Compliance, [click here](#)

Please visit the [Contact Us](#) section for any non-product compliance questions.

**Search Parts in this Series**

[47151Series](#)

**Mates With**

[88768](#) HDMI cable assembly, [88764](#) HDMI Adapter, [88767](#) HDMI Adapter

Voltage - Maximum

40V DC

**Material Info**

**Reference - Drawing Numbers**

Packaging Specification

PK-47151-002

Product Specification

PS-47152-001

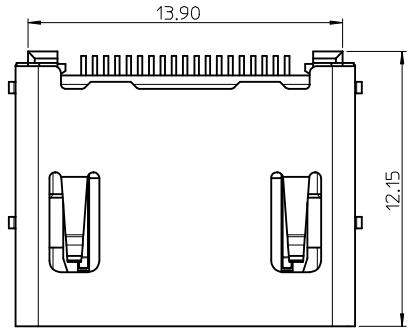
Sales Drawing

SD-47151-101

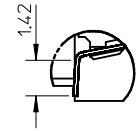
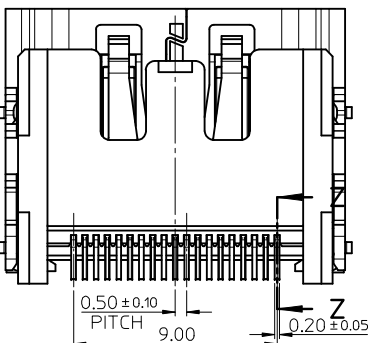
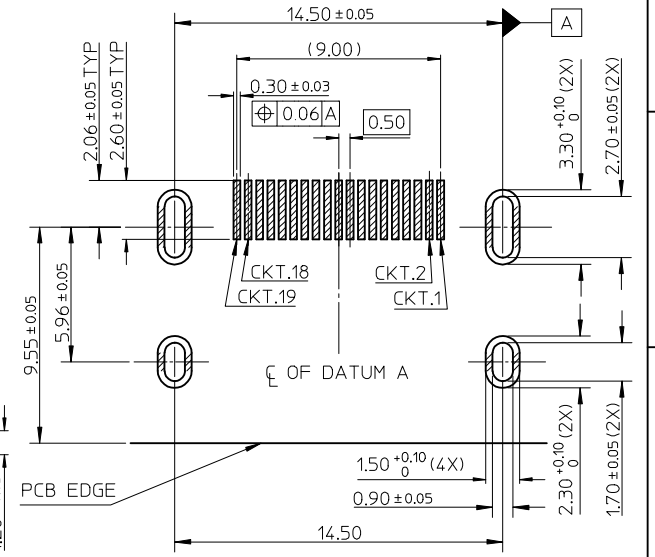
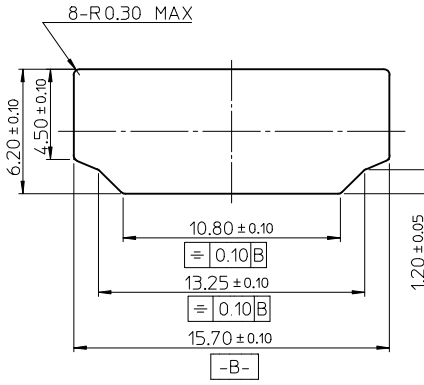
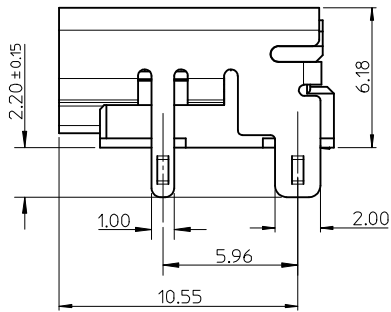
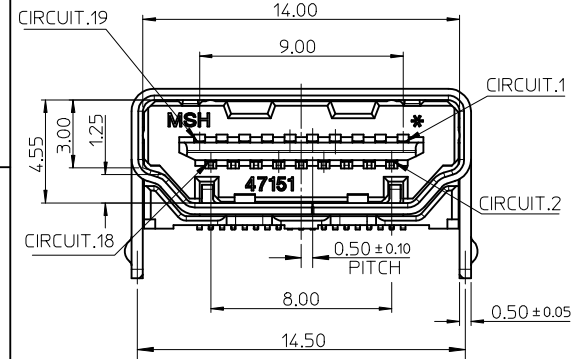
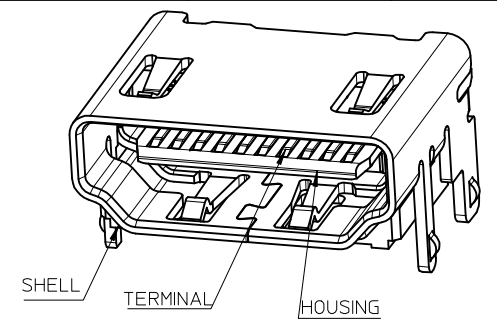
\* High Definition Multimedia Interface and HDMI are trademarks of HDMI Licensing, LLC.

This document was generated on 06/01/2010

**PLEASE CHECK [WWW.MOLEX.COM](http://WWW.MOLEX.COM) FOR LATEST PART INFORMATION**



- NOTES:
- MATERIAL:  
HOUSING: HIGH TEMPERATURE THERMAL PLASTIC.  
SHELL: COPPER ALLOY.  
TERMINAL: COPPER ALLOY.
  - PLATING:  
TERMINAL: CONTACT AREA: GOLD PLATING, SEE TABLE.  
SOLDER AREA: 1 MICROMETER MIN. TIN-BISMUTH ALLOY PLATED.  
UNDER PLATE: 1.27 MICROMETER MIN. NICKEL.  
SHELL: 1.27 MICROMETER MIN. SOLDERABLE NICKEL PLATE OVERALL.
  - COPLANARITY IS 0.1MM MAX.
  - PRODUCT SPECIFICATION REFER TO PS-47152-001.
  - PACKAGE SPECIFICATION FOR WITHOUT FLANGE REFER TO PK-47151-001.
  - PRODUCT COMPLIANT TO ROHS DIRECTIVE 2002/95/EC AND ELV 2000/53/EC.



SECTION Z-Z

RECOMMENDED PANEL CUT OUT DIMENSION

RECOMMENDED PCB LAYOUT  
CONNECTOR SIDE

47151-8061	GOLD FLASH			
47151-8041	0.25 MICROMETER MIN.	WITHOUT	WITHOUT	WITH
47151-8001	0.76 MICROMETER MIN.			
PART NO.	CONTACT AREA PLATING	FLANGE	BACK COVER	DIMPLE

REVISED	EC NO: SH2009-0502	2009/01/23
DRW:NCWTANG	2009/01/23	
CHKD:XJ SONG		
APPR:HWANG	2009/02/10	

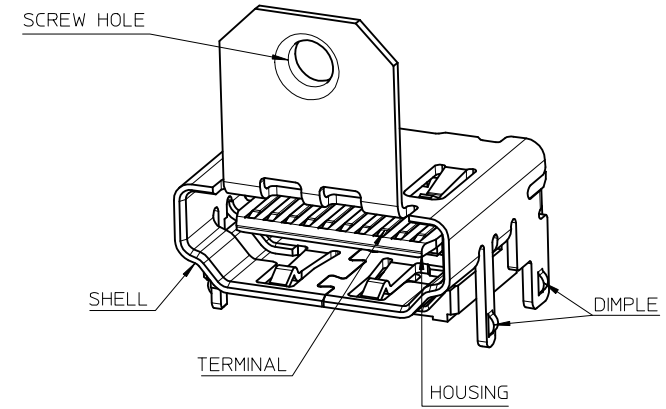
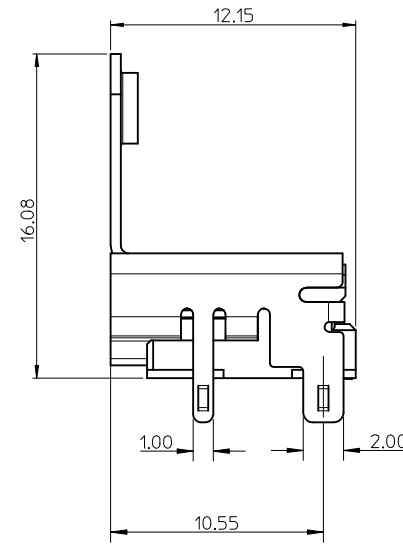
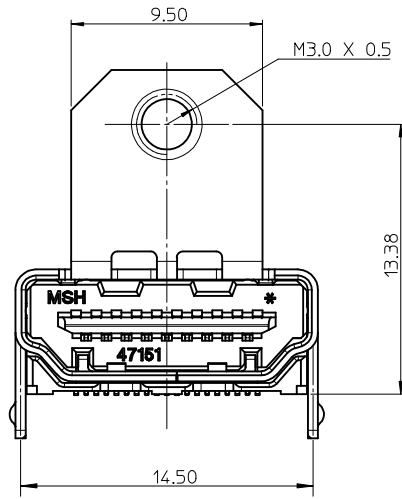
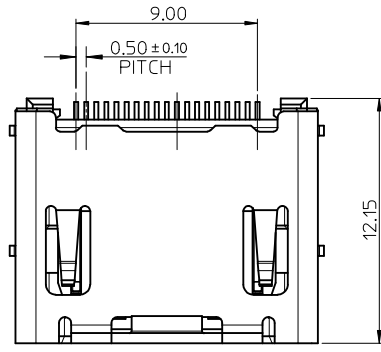
QUALITY SYMBOLS	▽=0
	∇=0

GENERAL TOLERANCES (UNLESS SPECIFIED)	mm	INCH
	4 PLACES ± ---	± ---
	3 PLACES ± ---	± ---
	2 PLACES ± 0.25	± ---
	1 PLACE ± ---	± ---
	ANGULAR ± 3 °	
DRAFT WHERE APPLICABLE MUST REMAIN WITHIN DIMENSIONS		

DIMENSION STYLE		SCALE	DESIGN UNITS	THIRD ANGLE PROJECTION
MM ONLY		1:1	METRIC	
DRAWN BY	DATE	TITLE		
JZENG	2006/02/21	1.0 HDMI RIGHT ANGLE HEADER WITH DIMPLE TYPE LEAD FREE		
CHECKED BY	DATE	MOLEX INCORPORATED		
DIXON	2006/02/21	DOCUMENT NO. SD-47151-101		
APPROVED BY	DATE	SHEET NO. 1 OF 4		
GRATE MA	2006/02/21			
MATERIAL NO.				

SIZE	THIS DRAWING CONTAINS INFORMATION THAT IS PROPRIETARY TO MOLEX INCORPORATED AND SHOULD NOT BE USED WITHOUT WRITTEN PERMISSION		
A3			

10 9 8 7 6 5 4 3 2 1



NOTES:  
 1. THE UNSPECIFIED DIMENSIONS REFER TO SHEET 1.  
 2. PACKAGE SPECIFICATION FOR WITH FLANGE REFER TO PK-47151-002.

47151-8071	GOLD FLASH			
47151-8051	0.25 MICROMETER MIN.	WITH	WITHOUT	WITH
47151-8011	0.76 MICROMETER MIN.			
PART NO.	CONTACT AREA PLATING	FLANGE	BACK COVER	DIMPLE

REVISED  
 EC NO: SH2009-0502  
 TDRW: CWTANG 2009/01/23  
 CHKD: XJSONG  
 APPR: HWANG 2009/02/10

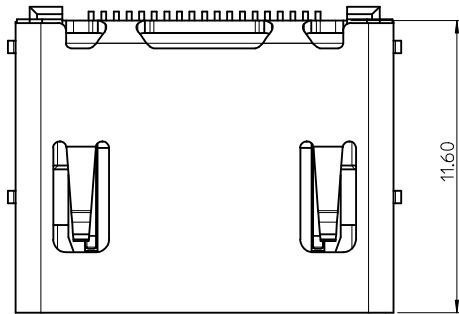
QUALITY SYMBOLS  
  
  
 DESCRIPTION

GENERAL TOLERANCES (UNLESS SPECIFIED)	
	mm INCH
4 PLACES	± --- ± ---
3 PLACES	± --- ± ---
2 PLACES	± 0.25 ± ---
1 PLACE	± --- ± ---
ANGULAR ± 3 °	
DRAFT WHERE APPLICABLE MUST REMAIN WITHIN DIMENSIONS	

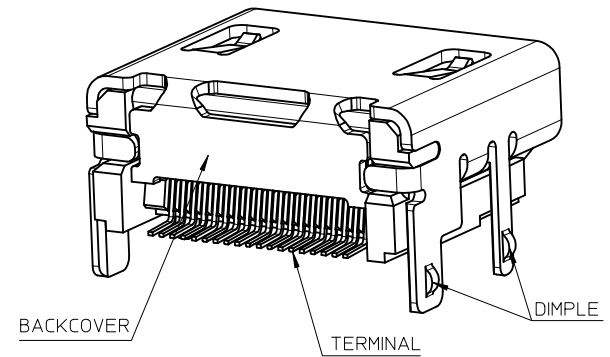
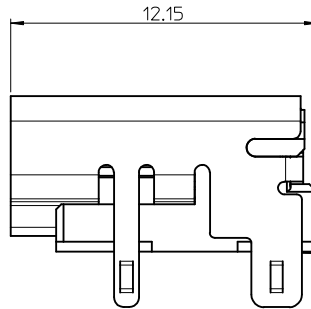
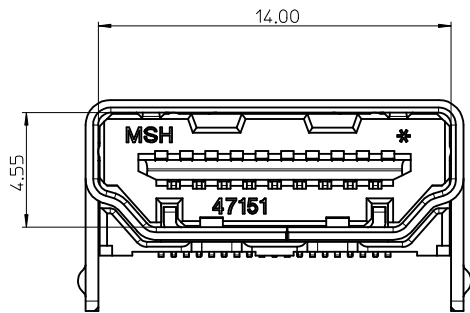
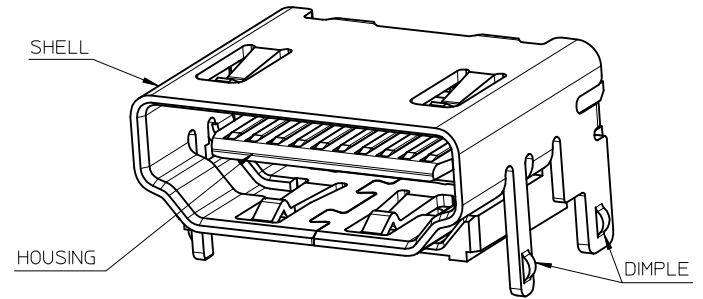
DIMENSION STYLE	
MM ONLY	
DRAWN BY	DATE
JZENG	2006/02/21
CHECKED BY	DATE
DIXON	2006/02/21
APPROVED BY	DATE
GRATE MA	2006/02/21
MATERIAL NO.	
SEE TABLE	
SIZE	A3

SCALE	1:1
DESIGN UNITS	METRIC
THIRD ANGLE PROJECTION	
TITLE	
1.0 HDMI RIGHT ANGLE HEADER WITH DIMPLE TYPE LEAD FREE	
MOLEX INCORPORATED	
DOCUMENT NO.	SD-47151-101
SHEET NO.	2 OF 4
THIS DRAWING CONTAINS INFORMATION THAT IS PROPRIETARY TO MOLEX INCORPORATED AND SHOULD NOT BE USED WITHOUT WRITTEN PERMISSION	

9 8 7 6 5 4 3 2 1



WITH BACK COVER



NOTES:

1. THE UNSPECIFIED DIMENSIONS REFER TO 47151-8001.
2. PACKAGE SPECIFICATION FOR WITHOUT FLANGE:  
 47151-8131/8141/8161 REFER TO PK-47151-004,  
 47151-8031/8081/8091 REFER TO PK-47151-001.

47151-8131	0.76 MICROMETER MIN.	WITHOUT	WITH	WITHOUT
47151-8141	0.25 MICROMETER MIN.			
47151-8161	GOLD FLASH			
47151-8031	0.76 MICROMETER MIN.	WITHOUT	WITH	WITH
47151-8081	0.25 MICROMETER MIN.			
47151-8091	GOLD FLASH			
PART NO.	CONTACT AREA PLATING	FLANGE	BACK COVER	DIMPLE

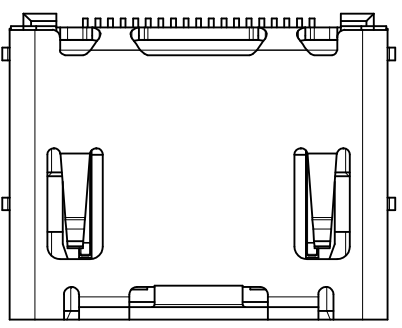
REVISED	EC NO: SH2009-0502	2009/01/23
	DRWN: CWTANG	2009/01/23
REV	CHKD: XJSONG	2009/02/10
	APPR: HWANG	2009/02/10

QUALITY SYMBOLS	$\nabla=0$ $\square=0$
DESCRIPTION	

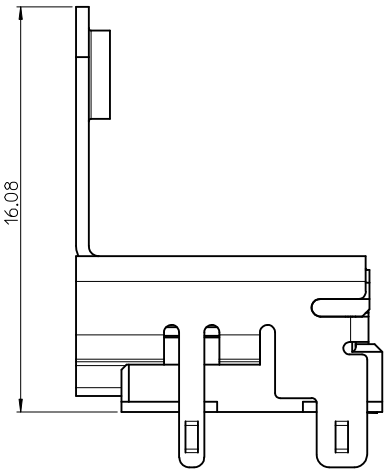
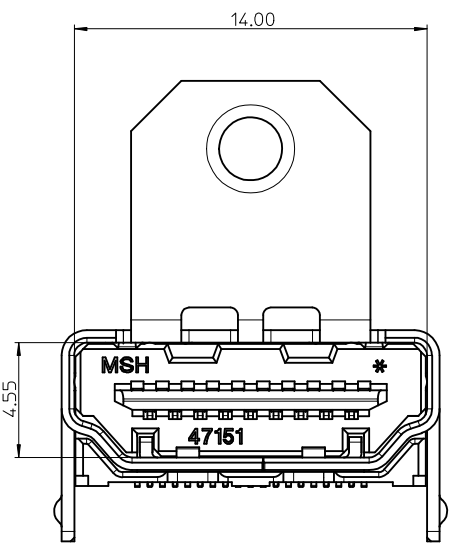
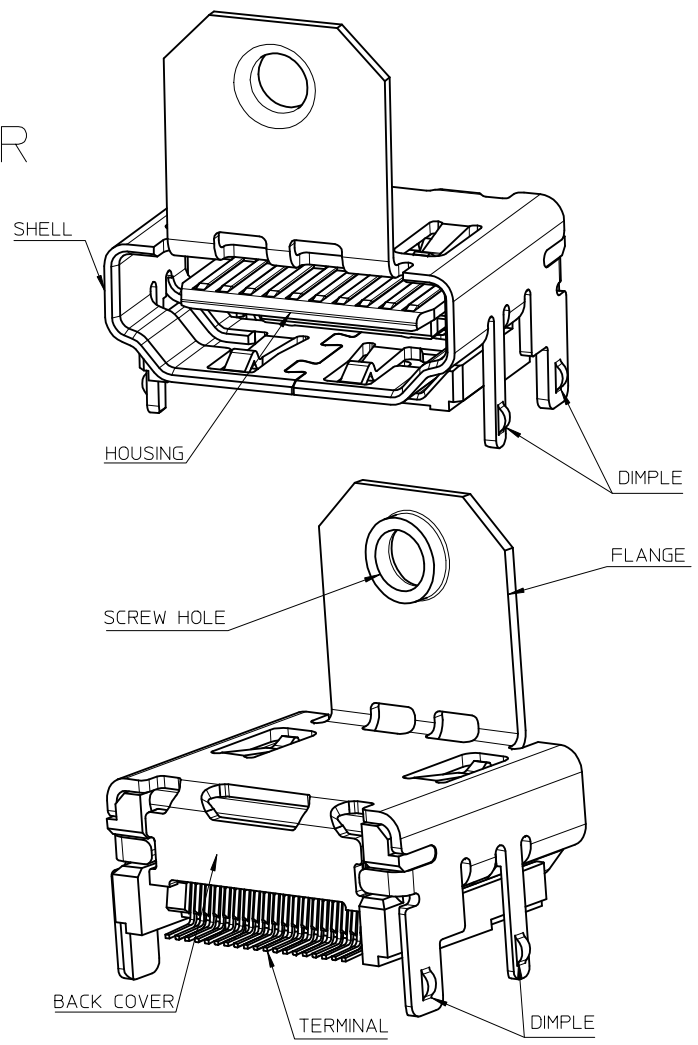
GENERAL TOLERANCES (UNLESS SPECIFIED)	mm	INCH	
	4 PLACES	± ---	± ---
	3 PLACES	± ---	± ---
	2 PLACES	± 0.25	± ---
	1 PLACE	± ---	± ---
	ANGULAR ± 3 °		
DRAFT WHERE APPLICABLE MUST REMAIN WITHIN DIMENSIONS			

DIMENSION STYLE		SCALE	DESIGN UNITS	THIRD ANGLE PROJECTION
MM ONLY		1:1	METRIC	
DRAWN BY	DATE	TITLE		
JZENG	2006/02/21	1.0 HDMI RIGHT ANGLE HEADER WITH DIMPLE TYPE LEAD FREE		
CHECKED BY	DATE	MOLEX INCORPORATED		
DIXON	2006/02/21	DOCUMENT NO. SD-47151-101		
APPROVED BY	DATE	SHEET NO. 3 OF 4		
GRATE MA	2006/02/21	THIS DRAWING CONTAINS INFORMATION THAT IS PROPRIETARY TO MOLEX INCORPORATED AND SHOULD NOT BE USED WITHOUT WRITTEN PERMISSION		
MATERIAL NO.	SEE TABLE			
SIZE	A3			

10 9 8 7 6 5 4 3 2 1



WITH BACK COVER



- NOTES:
1. THE UNSPECIFIED DIMENSIONS REFER TO 47151-8011.
  2. PACKAGE SPECIFICATION FOR WITH FLANGE REFER TO PK-47151-002.

47151-8521	0.25 MICROMETER MIN.	WITH	WITH	WITHOUT
47151-8321	GOLD FLASH			
47151-8121	0.76 MICROMETER MIN.			
47151-8221	GOLD FLASH	WITH	WITH	WITH
47151-8421	0.25 MICROMETER MIN.			
47151-8021	0.76 MICROMETER MIN.			
PART NO.	CONTACT AREA PLATING	FLANGE	BACK COVER	DIMPLE

REVISED  
 EC NO: SH2009-0502  
 DRWN: CWTANG 2009/01/23  
 CHKD: XJSONG  
 APPR: HWANG 2009/02/10

QUALITY SYMBOLS

GENERAL TOLERANCES (UNLESS SPECIFIED)

	mm	INCH
4 PLACES	± ---	± ---
3 PLACES	± ---	± ---
2 PLACES	± 0.25	± ---
1 PLACE	± ---	± ---
ANGULAR ± 3 °		

DRAFT WHERE APPLICABLE MUST REMAIN WITHIN DIMENSIONS

DIMENSION STYLE  
**MM ONLY**

DRAWN BY	DATE
JZENG	2006/02/21
CHECKED BY	DATE
DIXON	2006/02/21
APPROVED BY	DATE
GRATE MA	2006/02/21

MATERIAL NO.  
**SEE TABLE**

SCALE  
**1:1**

DESIGN UNITS  
**METRIC**

THIRD ANGLE PROJECTION

**1.0 HDMI RIGHT ANGLE HEADER WITH DIMPLE TYPE LEAD FREE**

**MOLEX INCORPORATED**

DOCUMENT NO.  
**SD-47151-101**

SHEET NO.  
**4 OF 4**

THIS DRAWING CONTAINS INFORMATION THAT IS PROPRIETARY TO MOLEX INCORPORATED AND SHOULD NOT BE USED WITHOUT WRITTEN PERMISSION

9 8 7 6 5 4 3 2 1