

PLEASE CHECK WWW.MOLEX.COM FOR LATEST PART INFORMATION

Part Number: [0554870719](#)
Status: **Active**
Description: 2.00mm (.079") Pitch Wire-to-Board Header, Vertical, Shrouded, High Wall Type, with Inner Positive Lock, Lead-free, 7 Circuits

Documents:

[3D Model](#) [Product Specification PS-51216-007 \(PDF\)](#)
[Drawing \(PDF\)](#) [RoHS Certificate of Compliance \(PDF\)](#)

General

Product Family	PCB Headers
Series	55487
Application	Wire-to-Board
Product Name	N/A

Physical

Breakaway	No
Circuits (Loaded)	7
Circuits (maximum)	7
Color - Resin	Natural
Durability (mating cycles max)	30
First Mate / Last Break	No
Glow-Wire Compliant	No
Guide to Mating Part	No
Keying to Mating Part	None
Lock to Mating Part	Yes
Mated Height (in)	0.697 In
Mated Height (mm)	17.70 mm
Material - Plating Mating	Tin
Material - Plating Termination	Tin
Material - Resin	Nylon
Number of Rows	1
Orientation	Vertical
PC Tail Length (in)	0.130 In
PC Tail Length (mm)	3.30 mm
PCB Locator	Yes
PCB Retention	Yes
PCB Thickness Recommended (in)	0.062 In
PCB Thickness Recommended (mm)	1.60 mm
Packaging Type	Tray
Pitch - Mating Interface (in)	0.079 In
Pitch - Mating Interface (mm)	2.00 mm
Polarized to Mating Part	Yes
Shrouded	Fully
Stackable	No
Surface Mount Compatible (SMC)	No
Temperature Range - Operating	-25°C to +85°C
Termination Interface: Style	Through Hole

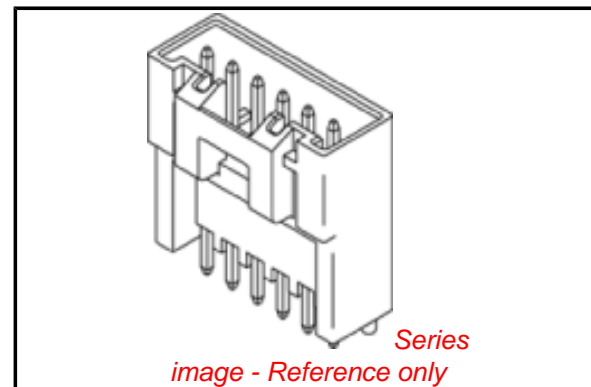
Electrical

Current - Maximum per Contact	2.5A
Voltage - Maximum	250V

Material Info

Reference - Drawing Numbers

Product Specification	PS-51216-007, RPS-51216-010
-----------------------	-----------------------------



EU RoHS

ELV and RoHS Compliant
REACH SVHC
 Not Reviewed
Halogen-Free Status
 Not Reviewed

China RoHS



Need more information on product environmental compliance?

Email productcompliance@molex.com
 For a multiple part number RoHS Certificate of Compliance, [click here](#)

Please visit the [Contact Us](#) section for any non-product compliance questions.

Search Parts in this Series

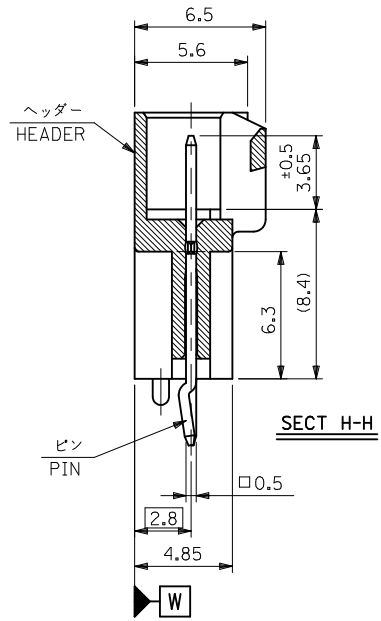
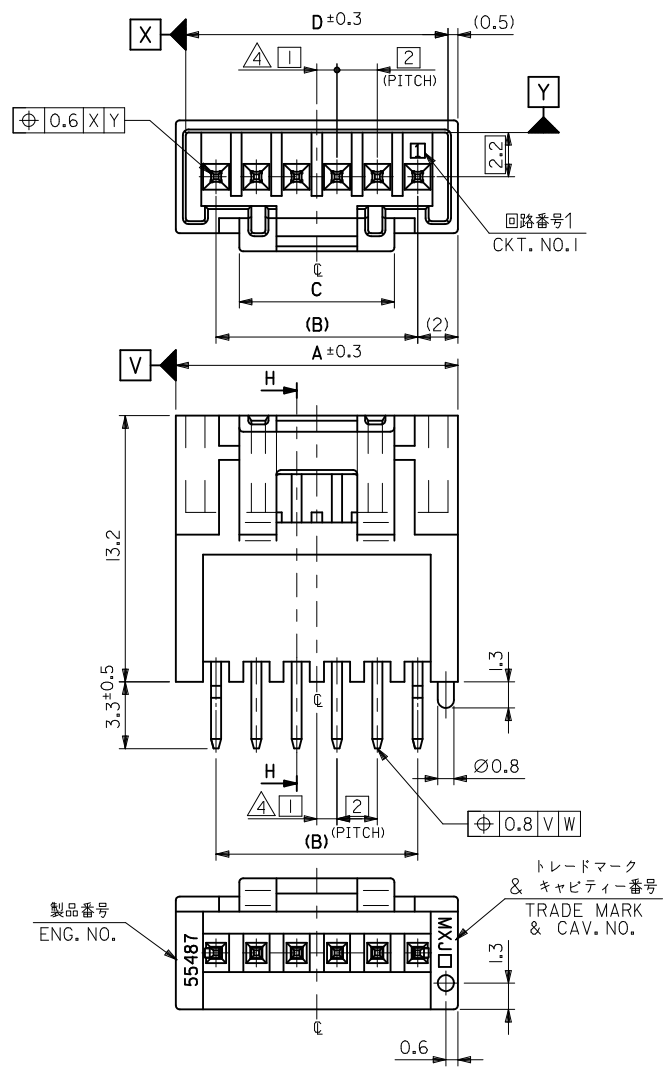
[55487Series](#)

Mates With

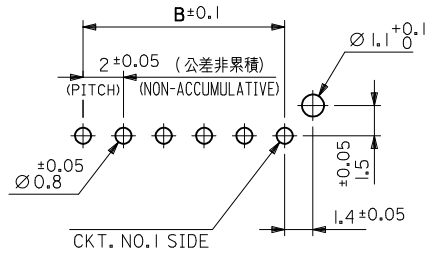
[51216](#) Wire-to-Board and Wire-to-Wire Receptacle Housing

This document was generated on 04/07/2010

PLEASE CHECK WWW.MOLEX.COM FOR LATEST PART INFORMATION



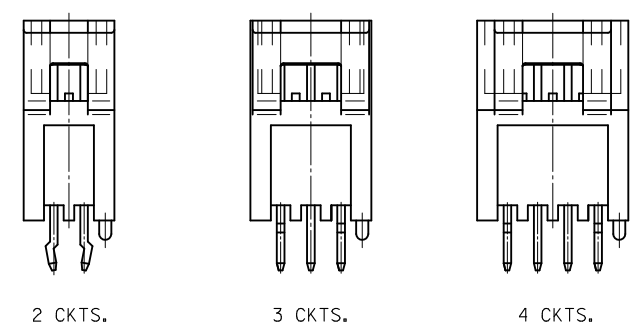
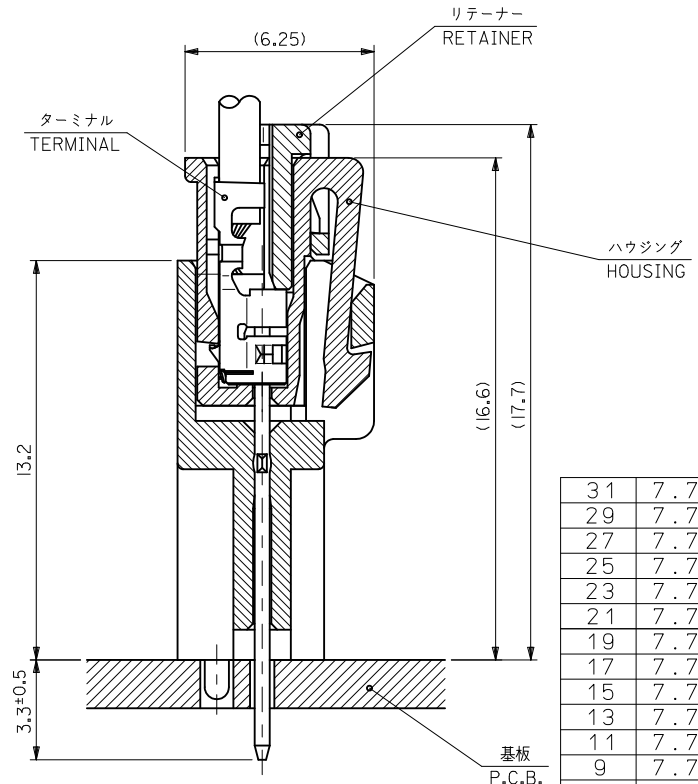
- 注記
NOTE
1. 材料 MATERIAL
 ピン : 黄銅, 銅下地錫メッキ
 PIN : BRASS, Sn OVER Cu PLATED
 ヘッダー : 66ナイロン (ガラス入り : 25%), UL94V-0
 (色 : 自然色 又は 染色)
 HEADER : NYLON66 (G.F. : 25%), UL94V-0
 (COLOR : NATURAL OR DYED COLOR)
 2. 嵌合相手 : 51216シリーズ
 MATE WITH : 51216 SERIES
 3. ソルダータールキンは、両端のピンのみとする。
 KINK TO BE APPLIED FOR 2 PINS AT BOTH ENDS.
- △ 偶数極に適用。
 APPLY EVEN CIRCUIT PRODUCTS.
5. 本製品は 55487-**10/-**12/-**13/**14/**16 の鉛フリー品である。
 THIS PRODUCT IS LEAD FREE OF 55487-**10/-**12/-**13/**14/**16.
 6. ELV及びRoHS適合品
 ELV AND RoHS COMPLIANT



基板取付穴推奨寸法 (マウント面)
 RECOMMENDED P.C.BOARD
 HOLE DIMENSION
 (MOUNTING SIDE)
 (T=1.6)

REVISED EC NO: J2010-2138 DRWN:YOSHIKAWA 2010/04/23 CHKD:KASAKAWA 2010/04/26 APPR:NUKITA 2010/04/28	GENERAL TOLERANCES (UNLESS SPECIFIED)		DIMENSION STYLE MM ONLY	SCALE 4:1	DESIGN UNITS METRIC	THIRD ANGLE PROJECTION
	10 UNDER	± 0.2	DRAWN BY M. NABEI	DATE '05/05/20	TITLE 2.0 MM W TO B CONN. HEADER ASS'Y (ST.)	
	10 OVER 30 UNDER	± 0.25	CHECKED BY K. TOJO	DATE '05/05/20	MOLEX INCORPORATED	
	30 OVER	± 0.3	APPROVED BY N. UKITA	DATE '05/05/20	DOCUMENT NO. SD-55487-007	SHEET NO. 1 OF 2
REV	DESCRIPTION	ANGULAR $\pm 3^\circ$	MATERIAL NO. 55487-**19/-**2*	THIS DRAWING CONTAINS INFORMATION THAT IS PROPRIETARY TO MOLEX INCORPORATED AND SHOULD NOT BE USED WITHOUT WRITTEN PERMISSION		
DRAFT WHERE APPLICABLE MUST REMAIN WITHIN DIMENSIONS		SIZE A3				

10 9 8 7 6 5 4 3 2 1



極数レイアウト図
LAYOUT OF EACH CKTS.

嵌合断面図 (参考)
LAYOUT OF EACH CKTS.

31	7.7	28	32	55487-1526		55487-1523	55487-1522	55487-1519	15			
29	7.7	26	30	55487-1426		55487-1423	55487-1422	55487-1419	14			
27	7.7	24	28					55487-1319	13			
25	7.7	22	26	55487-1226		55487-1223	55487-1222	55487-1219	12			
23	7.7	20	24			55487-1123		55487-1119	11			
21	7.7	18	22	55487-1026	55487-1024	55487-1023	55487-1022	55487-1019	10			
19	7.7	16	20	55487-0926		55487-0923	55487-0922	55487-0919	9			
17	7.7	14	18	55487-0826		55487-0823	55487-0822	55487-0819	8			
15	7.7	12	16					55487-0719	7			
13	7.7	10	14					55487-0619	6			
11	7.7	8	12	55487-0526		55487-0523	55487-0522	55487-0519	5			
9	7.7	6	10					55487-0419	4			
7	7.7	4	8					55487-0319	3			
5	6	2	6		55487-0224			55487-0219	2			
D	C	B	A	COLOR : GREEN 色 : 緑				COLOR : BLUE 色 : 青	COLOR : YELLOW 色 : 黄	COLOR : RED 色 : 赤	COLOR : WHITE 色 : 白	CKT 極数
TRAY PACKAGE												
オーダー番号 ORDER NO.												
CONNECTOR SERIES NO. 55487-****												

REVISED EC NO: J2010-2138 DRWN: YOSHIKAWA 2010/04/23 CHKD: KASAKAWA 2010/04/26 APPR: NUKITA 2010/04/28	GENERAL TOLERANCES (UNLESS SPECIFIED)		DIMENSION STYLE MM ONLY		SCALE ---	DESIGN UNITS METRIC	THIRD ANGLE PROJECTION		
	10 UNDER	±0.2	DRAWN BY M. NABEI	DATE '05/05/20	TITLE 2.0 MM W TO B CONN. HEADER ASS'Y (ST.)				
	10 OVER 30 UNDER	±0.25	CHECKED BY K. TOJO	DATE '05/05/20	MOLEX INCORPORATED				
	30 OVER	±0.3	APPROVED BY N. UKITA	DATE '05/05/20	DOCUMENT NO. SD-55487-007		SHEET NO. 2 OF 2		
ANGULAR ±3 °		DRAFT WHERE APPLICABLE MUST REMAIN WITHIN DIMENSIONS		MATERIAL NO. 55487-**19/-**2*				THIS DRAWING CONTAINS INFORMATION THAT IS PROPRIETARY TO MOLEX INCORPORATED AND SHOULD NOT BE USED WITHOUT WRITTEN PERMISSION	