

PLEASE CHECK WWW.MOLEX.COM FOR LATEST PART INFORMATION

Part Number: [0545481771](#)

Status: **Active**

Overview: [ffc fpc smt](#)

Description: 0.50mm (.020") Pitch FFC/FPC Connector, 1.20mm (.047") Height, Right Angle, SMT, ZIF, Bottom Contact Style, 17 Circuits, Lead-free, Gold (Au) Plating

Documents:

[3D Model](#)

[Drawing \(PDF\)](#)

[Product Specification PS-54548-039 \(PDF\)](#)

[RoHS Certificate of Compliance \(PDF\)](#)

General

Product Family	FFC/FPC Connectors
Series	54548
Overview	ffc fpc smt
Product Name	N/A

Physical

Circuits (Loaded)	17
Contact Position	Bottom
Durability (mating cycles max)	20
Entry Angle	90° Angle
Mated Height (in)	0.047 In
Mated Height (mm)	1.20 mm
Material - Metal	Phosphor Bronze
Material - Plating Mating	Gold
Material - Plating Termination	Tin
Number of Rows	1
Orientation	Right Angle
PCB Locator	No
PCB Retention	Yes
Packaging Type	Embossed Tape on Reel
Pitch - Mating Interface (in)	0.020 In
Pitch - Mating Interface (mm)	0.50 mm
Polarized to PCB	Yes
Stackable	No
Temperature Range - Operating	-20°C to +85°C
Termination Interface: Style	Surface Mount
Wire/Cable Type	FFC/FPC

Electrical

Current - Maximum per Contact	0.5A
Voltage - Maximum	50V

Material Info

Reference - Drawing Numbers

Packaging Specification	SPK-54548-001
Product Specification	PS-54548-039, RPS-54548-083, RPS-54548-085, RPS-54548-091, RPS-54548-097, RPS-54548-099
Sales Drawing	SD-54548-039, SD-54548-040

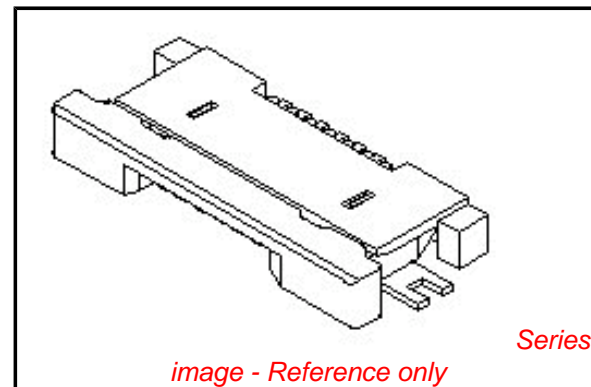


image - Reference only

EU RoHS

ELV and RoHS Compliant

REACH SVHC

Not Reviewed

Halogen-Free

Status

Not Reviewed

China RoHS



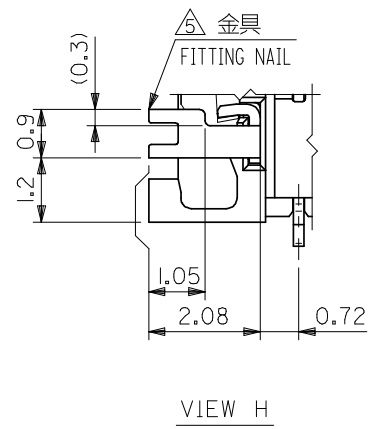
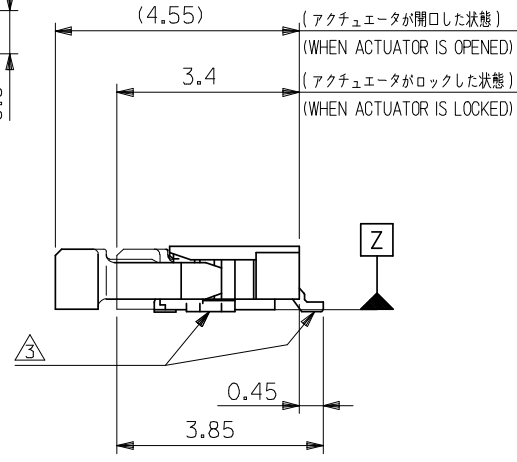
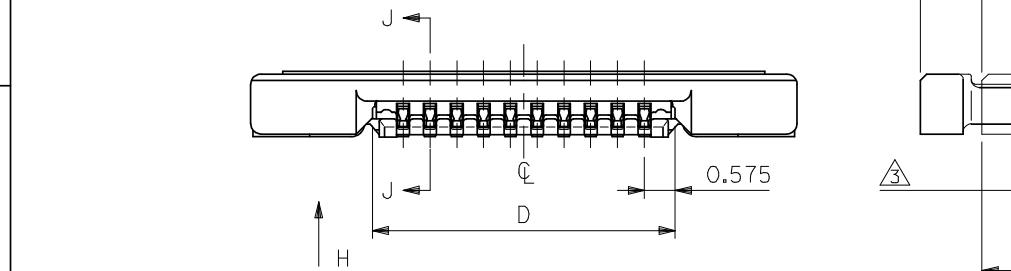
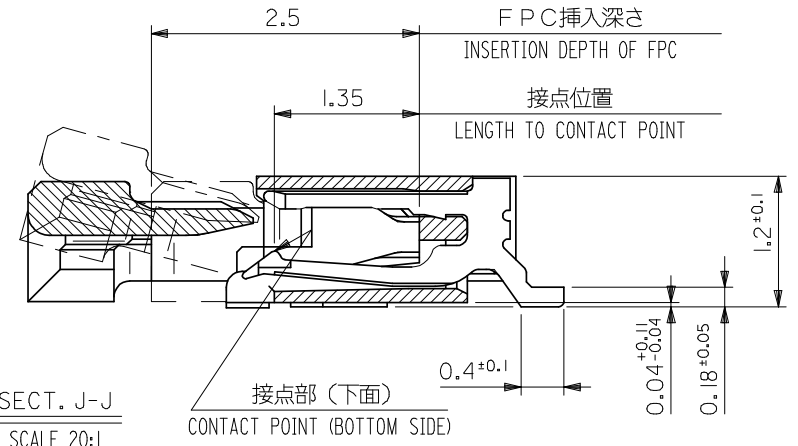
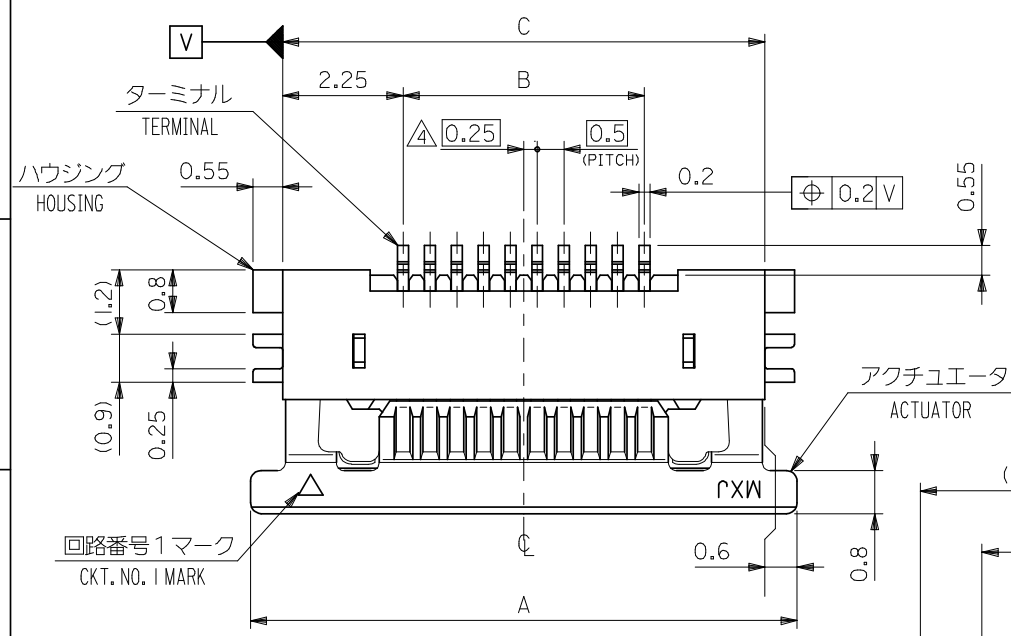
Need more information on product environmental compliance?

Email productcompliance@molex.com
For a multiple part number RoHS Certificate of Compliance, [click here](#)

Please visit the [Contact Us](#) section for any non-product compliance questions.

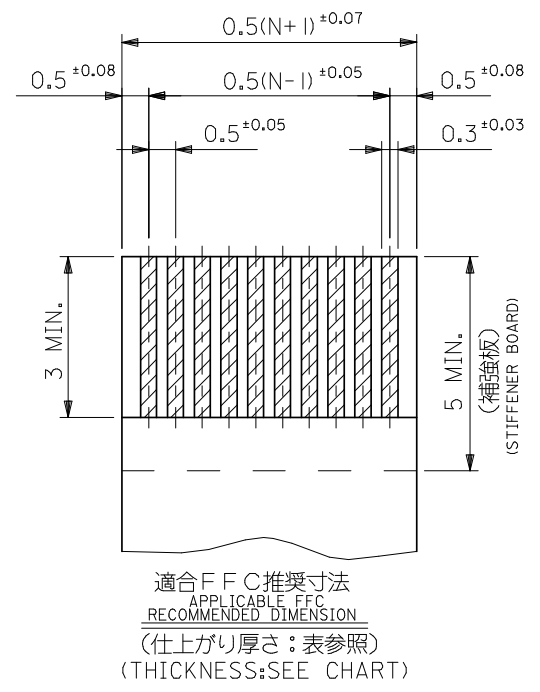
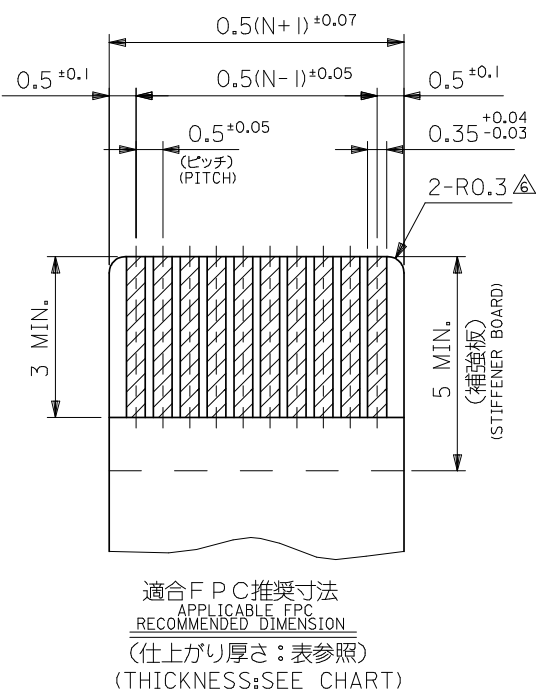
Search Parts in this Series

[54548Series](#)



0.28±0.03	13.65	17.0	12.5	18.2	54548-2671	54548-2629	26
	12.65	16.0	11.5	17.2	54548-2471	54548-2429	24
	12.15	15.5	11.0	16.7	54548-2371	54548-2329	23
	11.65	15.0	10.5	16.2	54548-2271	54548-2229	22
	11.15	14.5	10.0	15.7	54548-2171	54548-2129	21
	10.65	14.0	9.5	15.2	54548-2071	54548-2029	20
	10.15	13.5	9.0	14.7	54548-1971	54548-1929	19
	9.65	13.0	8.5	14.2	54548-1871	54548-1829	18
	9.15	12.5	8.0	13.7	54548-1771	54548-1729	17
	8.65	12.0	7.5	13.2	54548-1671	54548-1629	16
	8.15	11.5	7.0	12.7	54548-1571	54548-1529	15
	7.65	11.0	6.5	12.2	54548-1471	54548-1429	14
	7.15	10.5	6.0	11.7	54548-1371	54548-1329	13
6.65	10.0	5.5	11.2	54548-1271	54548-1229	12	
6.15	9.5	5.0	10.7	54548-1171	54548-1129	11	
5.65	9.0	4.5	10.2	54548-1071	54548-1029	10	
5.15	8.5	4.0	9.7	54548-0971	54548-0929	9	
4.65	8.0	3.5	9.2	54548-0871	54548-0829	8	
4.15	7.5	3.0	8.7	54548-0771	54548-0729	7	
3.65	7.0	2.5	8.2	54548-0671	54548-0629	6	
3.15	6.5	2.0	7.7	54548-0571	54548-0529	5	
2.65	6.0	1.5	7.2	54548-0471	54548-0429	4	
FPC THICKNESS	D	C	B	A	EMBOSSED TAPE ORDER No. オータ-番別	製品番号 MATERIAL No.	極数 Ck+

REVISED EC NO: J2008-4048 DRWN:MNABEI 2008/06/13 CH'KD:THARUYAMA 2008/06/16 APPR:NUKITA 2008/06/16	GENERAL TOLERANCES (UNLESS SPECIFIED)		DIMENSION STYLE	SCALE	DESIGN UNITS	THIRD ANGLE PROJECTION	
			MM ONLY	10:1	METRIC		
	10 UNDER	±0.2	DRAWN BY	DATE	TITLE		
	10 OVER 30 UNDER	±0.25	HSHIMABUKURO	'04/02/10	0.5 FPC CONN ZIF HSG ASSY FOR SMT RA BTM CONT -LEAD FREE-		
	30 OVER	±0.3	CHECKED BY	DATE			
ANGULAR ±3°		APPROVED BY	DATE	MOLEX INCORPORATED			SHEET NO.
DRAFT WHERE APPLICABLE MUST REMAIN WITHIN DIMENSIONS		MSASAO	'04/02/10	DOCUMENT NO. SD-54548-039			1 OF 2
		MATERIAL NO. SEE TABLE		THIS DRAWING CONTAINS INFORMATION THAT IS PROPRIETARY TO MOLEX INCORPORATED AND SHOULD NOT BE USED WITHOUT WRITTEN PERMISSION			EN-02JA(021)



注記 NOTES

- I. 使用材料 MATERIAL
- ハウジング HOUSING : LCP, UL94V-0
 - アクチュエータ ACTUATOR : PPS, UL94V-0
 - ターミナル TERMINAL : リン青銅 (t=0.2) PHOSPOR BRONZE
 - メッキ PLATING : 接点部: 金メッキ CONTACT PORTION: GOLD PLATING
 - テール部: 鍍メッキ SOLDERING PORTION: TIN OVER PLATING
 - 下地: ニッケルメッキ UNDER PLATING: NICKEL PLATING
 - 金具 FITTING NAIL : リン青銅、鍍メッキ (t=0.2) PHOSPOR BRONZE, TIN PLATING
 - 下地: ニッケルメッキ UNDER PLATING: NICKEL PLATING

- △ パターンはくり止め用金具 FITTING NAIL FOR PREVENTION OF PEELING OF P.C.B. PATTERN.
- △ RO.3はFPC導体部にかからないこと RO.3 MUST NOT BE OVERLAPPED TO PATTERN OF FPC.
- 7. 本製品は54548-**-21の鉛フリー(部分金メッキ)品である。 THIS PRODUCT IS LEAD FREE OF 54548-**-21 (SELECTIVE GOLD).
- 8. N: 極数 N: CIRCUIT.

2. エンボステープ梱包時は、アクチュエータがロックした状態とする。
IN THE PACKAGE, ACTUATOR OF PART NO.54548-**-29 SHOULD BE LOCKED.
- △ ソルダータール半田付け面のズレ量、及び金具半田付け面のズレ量は、基準面 Z に対し上方向 OMAX.、下方向 0.15MAX.とし
相互のバラツキ量は0.1MAX.とする。
MISALIGNMENT OF SOLDER TAILS AND FITTING NAILS FROM Z
UPPER DIRECTION: 0 MAX., LOWER DIRECTION: 0.15 MAX.
OFFSET BETWEEN UPPER AND LOWER 0.1 MAX.
- △ 偶数極に適用。
APPLY FOR EVEN CIRCUIT.

FPC/FFC について:

打ち抜き方向は導体側から補強板側を推奨します。
導体部については軟銅箔35μmまたは50μmを推奨します。

ABOUT FPC/FFC
RECOMMENDED PUNCHER DIRECTION : FROM CONDUCTOR SIDE TO STIFFENER FILM SIDE.
RECOMMENDED CONDUCTOR SPEC :
THICKNESS OF SOFT COPPER FOIL : 35 MICROMETER OR 50 MICROMETER.

FPC について:

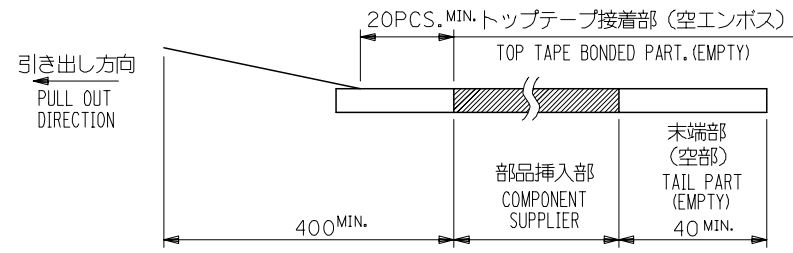
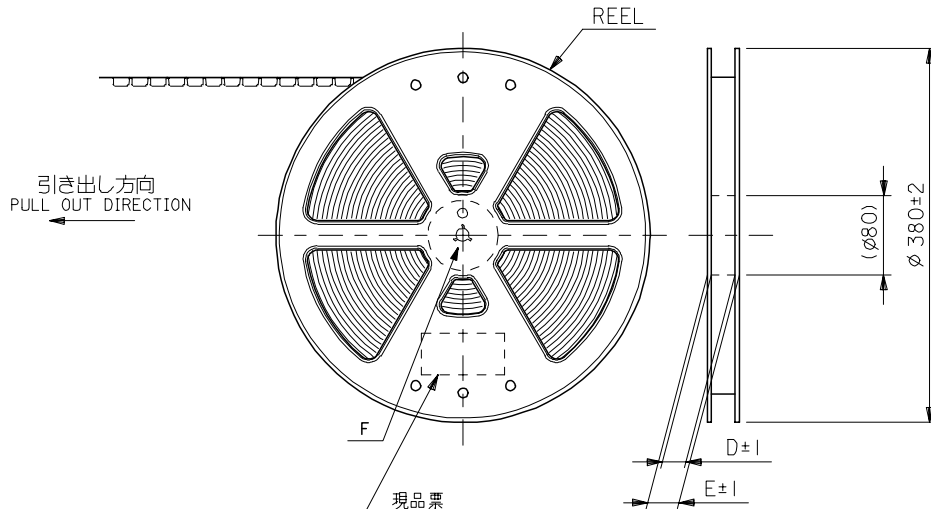
補強フィルム材質はポリイミドを推奨します。ベースフィルムは25μmを推奨します。
接着剤は熱硬化接着剤を推奨します。
尚、接着剤の接点部への付着は導通不良の原因になりますので、染み出しが無い様、お願い致します。

ABOUT FPC
RECOMMENDED MATERIAL/THICKNESS.
STIFFENER FILM : POLYIMIDE
BASE FILM THICKNESS : 25μm
BONDING AGENT : THERMOSETTING BONDING AGENT
PLEASE PUT APPROPRIATE AMOUNT OF ADHESIVE ON THE CONTACT AREA BECAUSE THE EXTRA ADHESIVE MAY CAUSE THE DEFECT IN ELECTRICAL CONTINUITY.

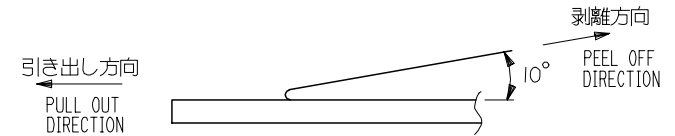
REVISED EC NO: J2008-4048 DRWN: NABEI CHKD: THARYAMA APPR: NUKITA	GENERAL TOLERANCES (UNLESS SPECIFIED)	DIMENSION STYLE MM ONLY	SCALE ---	DESIGN UNITS METRIC	MODEL No. 54548-**-29
	10 UNDER ±0.2	DRAWN BY HSHIMABUKURO	DATE '04/02/10	THIRD ANGLE PROJECTION	
	10 OVER 30 UNDER ±0.25	CHECKED BY KTOJO	DATE '04/02/10	0.5 FPC CONN ZIF HSG ASSY FOR SMT RA BTM CONT -LEAD FREE-	
	30 OVER ±0.3	APPROVED BY MSASAO	DATE '04/02/10	MOLEX INCORPORATED	
	ANGULAR ±3°	MATERIAL NO. SEE SHEET 1	DOCUMENT NO. SD-54548-039	SHEET NO. 2 OF 2	
DRAFT WHERE APPLICABLE MUST REMAIN WITHIN DIMENSIONS	THIS DRAWING CONTAINS INFORMATION THAT IS PROPRIETARY TO MOLEX INCORPORATED AND SHOULD NOT BE USED WITHOUT WRITTEN PERMISSION				

NOTES

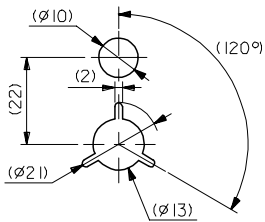
- 製品詳細寸法については図面 SD-54548-039 を参照下さい。
RE DETAILED DIMENSION, SEE SD-54548-039
- 梱包数量：3000個/リール
NUMBER OF CONNECTORS : 3000PCS/REEL
- リードテープ長さ LEAD TAPE LENGTH



- トップテープの剥離強度：0.1N ~ 1.3N(10gf ~ 130gf)
(剥離方向は下図参照)
尚、本規格値は出荷時に適用。(但し、輸送時に剥離が発生しないこと。)
PEELING OFF FORCE OF TOP TAPE : 0.1N ~ 1.3N(10gf ~ 130gf)
(PEELING DIRECTION AS SHOWN IN FOLLOWING FIG.)
THIS REQUIREMENT SHOULD BE APPLIED AT SHIPMENT.
PEEL OFF SHOULD NOT BE ALLOWED , DURING TRANSPORTATION.



- 材料(MATERIAL)
キャリアテープ(CARRIER TAPE)：ポリプロピレン(POLYPROPYLENE)
トップテープ(TOPTAPE)：PET, PE, PEF
リール(REEL)：ポリスチレン(P.S) <リサイクル材を含む>
POLYSTYRENE(PS) <RECYCLE MATERIAL CONTAINED>
- 本製品は 54548-**91 の鉛フリー(部分金メッキ)品である。
THIS PRODUCT IS LEAD FREE OF 54548-**91 (SELECTIVE GOLD).



DETAIL F

REVISED EC NO: J2006-3468 DRAWN: HSHIMABUKURO 2006/05/17 CHECKED: KTOJO 2006/05/19 APPR: MSASAO 2006/05/25	GENERAL TOLERANCES (UNLESS SPECIFIED)		DIMENSION STYLE MM ONLY		SCALE ---	54548-**71 DESIGN UNITS METRIC	MODEL No. THIRD ANGLE PROJECTION
	10 UNDER	±0.2	DRAWN BY DATE HSHIMABUKURO '04/02/10		TITLE 0.5 FPC CONN ZIF HSG ASSY RA BOTTOM CONTACT -LEAD FREE-		
	10 OVER 30 UNDER	±0.25	CHECKED BY DATE KTOJO '04/02/10				
	30 OVER	±0.3	APPROVED BY DATE MSASAO '04/02/10		MOLEX INCORPORATED		
ANGULAR ±3 °		MATERIAL NO. SEE CHART		DOCUMENT NO. SD-54548-040		SHEET NO. 1 OF 4	
DRAFT WHERE APPLICABLE MUST REMAIN WITHIN DIMENSIONS		SIZE A3		THIS DRAWING CONTAINS INFORMATION THAT IS PROPRIETARY TO MOLEX INCORPORATED AND SHOULD NOT BE USED WITHOUT WRITTEN PERMISSION			

10 9 8 7 6 5 4 3 2 1

F

E

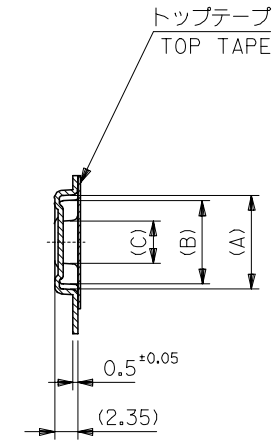
D

C

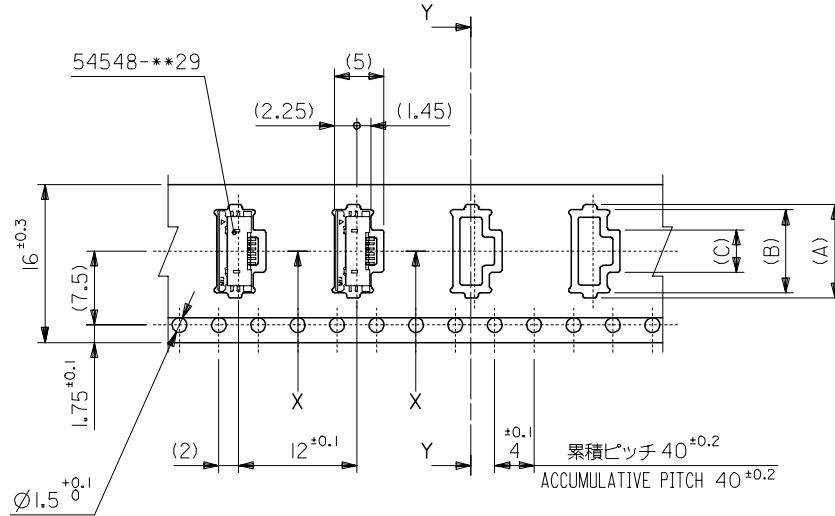
B

A

引き出し方向
PULL OUT DIRECTION



SECT. Y-Y



SECT. X-X

16mm幅キャリアテープ
16mm WIDTH CARRIER TAPE

16	21.4	17.4	4.3	8.4	9.5	54548-0671	6
			3.8	7.9	9.0	54548-0571	5
			3.3	7.4	8.5	54548-0471	4
キャリアテープ幅 CARRIER TAPE WIDTH	E	D	(C)	(B)	(A)	製品番号 MATERIAL No.	極数 Ck+

REVISED EC NO: J2006-3468 DRW: MNABEI 2006/05/17 CHK: KTOYODA 2006/05/19 APPR: NUKITA 2006/05/25	GENERAL TOLERANCES (UNLESS SPECIFIED)		DIMENSION STYLE MM ONLY		SCALE ---	DESIGN UNITS METRIC	THIRD ANGLE PROJECTION
	10 UNDER	± 0.2	DRAWN BY HSHIMABUKURO	DATE '04/02/10	TITLE 0.5 FPC CONN ZIF HSG ASSY RA BOTTOM CONTACT -LEAD FREE-		
	10 OVER 30 UNDER	± 0.25	CHECKED BY KTOJO	DATE '04/02/10			
	30 OVER	± 0.3	APPROVED BY MSASAO	DATE '04/02/10	MOLEX INCORPORATED		
	ANGULAR	± 3 °	MATERIAL NO.	DOCUMENT NO.			
DRAFT WHERE APPLICABLE MUST REMAIN WITHIN DIMENSIONS		SIZE A3	SEE CHART	SD-54548-040	2 OF 4		

9

8

7

6

5

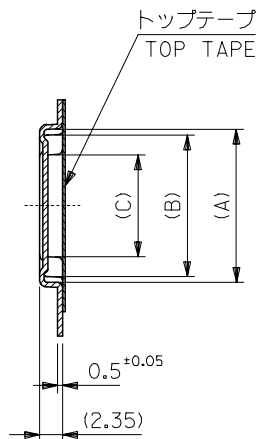
4

3

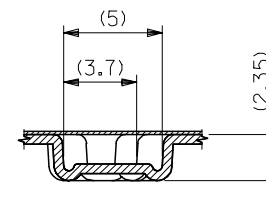
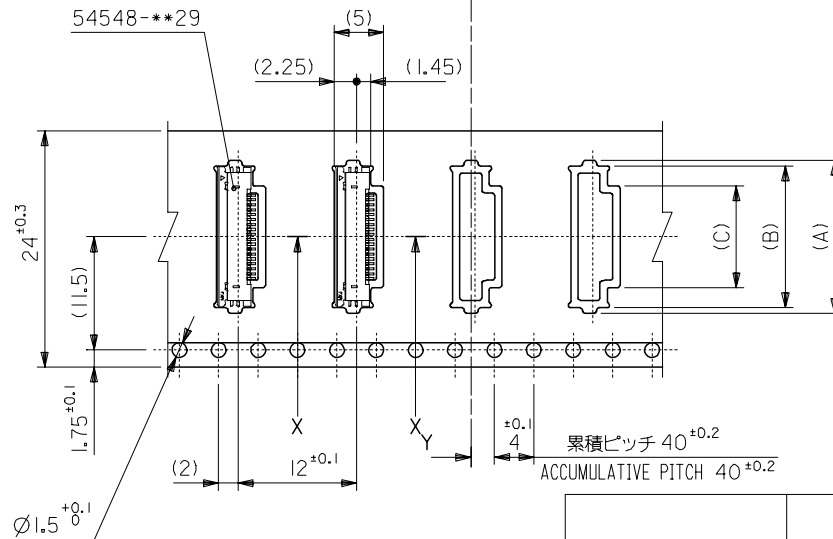
2

10 9 8 7 6 5 4 3 2 1

引き出し方向
PULL OUT DIRECTION



SECT. Y-Y



SECT. X-X

24mm幅キャリアテープ
24mm WIDTH CARRIER TAPE

24	29.4	25.4	12.3	16.4	17.5	54548-2271	22		
			11.8	15.9	17.0	54548-2171	21		
			11.3	15.4	16.5	54548-2071	20		
			10.8	14.9	16.0	54548-1971	19		
			10.3	14.4	15.5	54548-1871	18		
			9.8	13.9	15.0	54548-1771	17		
			9.3	13.4	14.5	54548-1671	16		
			8.8	12.9	14.0	54548-1571	15		
			8.3	12.4	13.5	54548-1471	14		
			7.8	11.9	13.0	54548-1371	13		
			7.3	11.4	12.5	54548-1271	12		
			6.8	10.9	12.0	54548-1171	11		
			6.3	10.4	11.5	54548-1071	10		
			5.8	9.9	11.0	54548-0971	9		
5.3	9.4	10.5	54548-0871	8					
4.8	8.9	10.0	54548-0771	7					
キャリアテープ幅 CARRIER TAPE WIDTH			E	D	(C)	(B)	(A)	製品番号 MATERIAL No.	極数 Ck+

REVISED EC NO: J2006-3468 DRW: MABEI 2006/05/17 CHK: KTOYODA 2006/05/19 APPR: NUKITA 2006/05/25	GENERAL TOLERANCES (UNLESS SPECIFIED)		DIMENSION STYLE MM ONLY		SCALE ---	DESIGN UNITS METRIC	THIRD ANGLE PROJECTION	
	10 UNDER	±0.2	DRAWN BY HSHIMABUKURO	DATE '04/02/10	TITLE 0.5 FPC CONN ZIF HSG ASSY RA BOTTOM CONTACT -LEAD FREE-			
	10 OVER 30 UNDER	±0.25	CHECKED BY KTOJO	DATE '04/02/10	MOLEX INCORPORATED			
	30 OVER	±0.3	APPROVED BY MSASAO	DATE '04/02/10	MATERIAL NO.		DOCUMENT NO. SD-54548-040	SHEET NO. 3 OF 4
	ANGULAR	±3 °	DRAFT WHERE APPLICABLE MUST REMAIN WITHIN DIMENSIONS		SEE CHART			

10 9 8 7 6 5 4 3 2 1

F

E

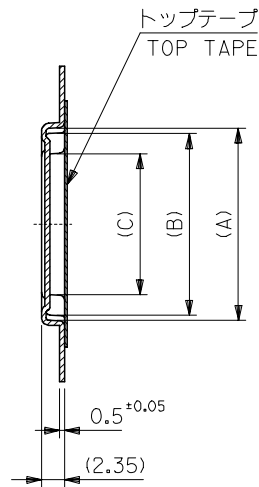
D

C

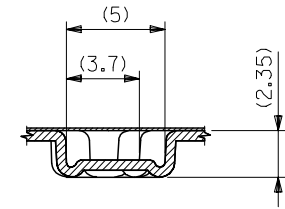
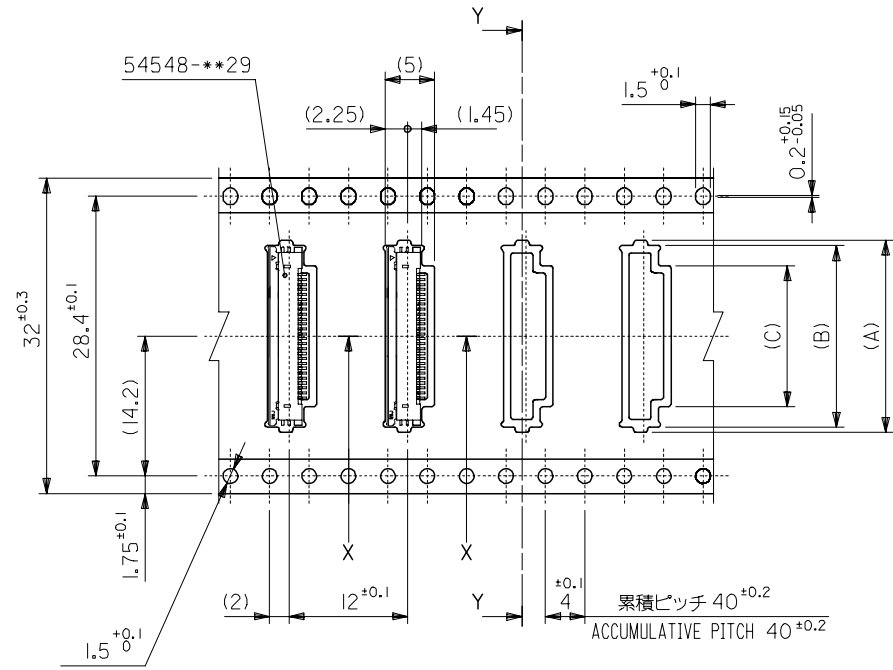
B

A

引き出し方向
PULL OUT DIRECTION



SECT. Y-Y



SECT. X-X

32mm幅キャリアテープ
32mm WIDTH CARRIER TAPE

32	37.4	33.4	14.3	18.4	19.5	54548-2671	26
			13.3	17.4	18.5	54548-2471	24
			12.8	16.9	18.0	54548-2371	23
キャリアテープ幅 CARRIER TAPE WIDTH	E	D	(C)	(B)	(A)	製品番号 MATERIAL No.	極数 Ck+

REVISED EC NO: J2006-3468 DRW: MNABEI 2006/05/17 CHK: KATOYODA 2006/05/19 APPR: NUKITA 2006/05/25	GENERAL TOLERANCES (UNLESS SPECIFIED)		DIMENSION STYLE MM ONLY		SCALE ---	DESIGN UNITS METRIC	THIRD ANGLE PROJECTION
	10 UNDER	±0.2	DRAWN BY HSHIMABUKURO	DATE '04/02/10	TITLE 0.5 FPC CONN ZIF HSG ASSY RA BOTTOM CONTACT -LEAD FREE-		
	10 OVER 30 UNDER	±0.25	CHECKED BY KTOJO	DATE '04/02/10	MOLEX INCORPORATED		
	30 OVER	±0.3	APPROVED BY MSASAO	DATE '04/02/10	DOCUMENT NO. SD-54548-040		
	ANGULAR	±3 °	MATERIAL NO. SEE CHART		SHEET NO. 4 OF 4		
DRAFT WHERE APPLICABLE MUST REMAIN WITHIN DIMENSIONS		SIZE A3		THIS DRAWING CONTAINS INFORMATION THAT IS PROPRIETARY TO MOLEX INCORPORATED AND SHOULD NOT BE USED WITHOUT WRITTEN PERMISSION			

9

8

7

6

5

4

3

2