

**PLEASE CHECK WWW.MOLEX.COM FOR LATEST PART INFORMATION**

**Part Number:** **0524840210**  
**Status:** **Active**  
**Description:** 2.0 W/B CONN. IDT REC. HSG ASSY

**Documents:**

<a href="#">3D Model</a>	<a href="#">Product Specification PS-52484-012 (PDF)</a>
<a href="#">Drawing (PDF)</a>	<a href="#">Product Specification PS-52484-013 (PDF)</a>
<a href="#">Product Specification PS-51090-003 (PDF)</a>	<a href="#">Product Specification PS-52484-021 (PDF)</a>
<a href="#">Product Specification PS-51090-007 (PDF)</a>	<a href="#">Product Specification PS-52484-022 (PDF)</a>
<a href="#">Product Specification PS-52478-001 (PDF)</a>	<a href="#">Product Specification PS-53358-001 (PDF)</a>
<a href="#">Product Specification PS-52478-002 (PDF)</a>	<a href="#">Product Specification PS-55460-001 (PDF)</a>
<a href="#">Product Specification PS-52484-004 (PDF)</a>	<a href="#">Product Specification PS-55533-003 (PDF)</a>
<a href="#">Product Specification PS-52484-009 (PDF)</a>	<a href="#">RoHS Certificate of Compliance (PDF)</a>
<a href="#">Product Specification PS-52484-011 (PDF)</a>	

**Agency Certification**

CSA	LR19980
UL	E29179

**General**

Product Family	IDT and Solder Connectors
Series	<u>52484</u>
Crimp Quality Equipment	Yes
Product Name	Mi II™

**Physical**

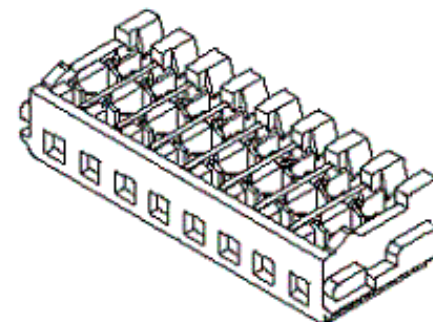
Circuits (Loaded)	2
Color - Resin	Natural
Durability (mating cycles max)	30
Flammability	94V-0
Gender	Female
Glow-Wire Compliant	No
Lock to Mating Part	None
Material - Metal	Phosphor Bronze
Material - Plating Mating	Tin
Material - Plating Termination	Tin
Material - Resin	Nylon
Number of Rows	1
Packaging Type	Bag
Panel Mount	No
Pitch - Mating Interface (in)	0.079 In
Pitch - Mating Interface (mm)	2.00 mm
Plating min: Mating (µin)	36
Plating min: Mating (µm)	0.90
Plating min: Termination (µin)	36
Plating min: Termination (µm)	0.90
Temperature Range - Operating	-40°C to +105°C
Wire Insulation Diameter	0.85-1.05mm (.033-.041")
Wire Size AWG	26, 28

**Electrical**

Current - Maximum per Contact	1.5A
Voltage - Maximum	125V

**Material Info**

**Reference - Drawing Numbers**



Series

image - Reference only

**EU RoHS**

**ELV and RoHS Compliant**

**REACH SVHC**

Not Reviewed

**Halogen-Free**

**Status**

**Not Halogen-Free**

**Need more information on product environmental compliance?**

Email [productcompliance@molex.com](mailto:productcompliance@molex.com)  
 For a multiple part number RoHS Certificate of Compliance, [click here](#)

Please visit the [Contact Us](#) section for any non-product compliance questions.

**China RoHS**



**Search Parts in this Series**

[52484Series](#)

**Mates With**

[51206](#) , [53313](#) , [55460](#) , [53358](#) , [53324](#) , [53325](#)

**Application Tooling | FAQ**

*Tooling specifications and manuals are found by selecting the products below. Crimp Height Specifications are then contained in the Application Tooling Specification document.*

**Japan**

Description	Product #
Hand Crimper	<a href="#">0573255000</a>
Die Set For	<a href="#">0572257000</a>
57222-7000	
IDT Bench-Top Terminator (Small Type) for Mi II™	<a href="#">0572257100</a>
Fully-Automated IDT Machine (XELOM-PLUS)	<a href="#">0578008000</a>

Product Specification

PS-51090-003, PS-51090-007, PS-52478-001,  
PS-52478-002, PS-52484-004, PS-52484-009,  
PS-52484-011, PS-52484-012, PS-52484-013,  
PS-52484-021, PS-52484-022, PS-53358-001,  
PS-55460-001, PS-55533-003, RPS-51090-002,  
RPS-51090-005, RPS-51090-019, RPS-51090-021,  
RPS-52484-002, RPS-52484-005, RPS-52484-015,  
RPS-52484-016, RPS-52484-017, RPS-52484-019,  
RPS-52484-020, RPS-52484-022, RPS-52484-023,  
RPS-52484-024, RPS-52484-025, RPS-52484-026,  
RPS-52969-004, RPS-52969-005, RPS-52969-006,  
RPS-53358-001, RPS-54111-005, RPS-55460-015  
SD-52484-008

Sales Drawing

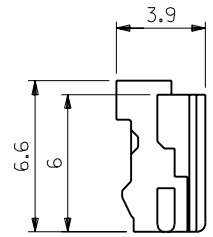
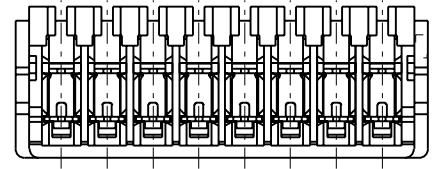
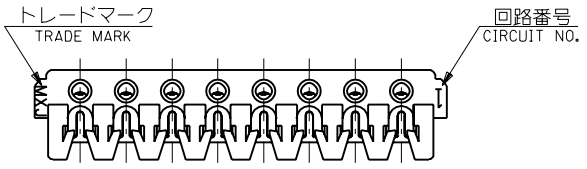
Fully-Automated IDT 0578008400  
Machine (XELOM-  
PLUS)  
Fully-Automated IDT 0578258000  
Machine (XELOM-  
SIMPLE)  
IDT Bench-Top 0578657000  
Terminator for Mi II™

This document was generated on 04/16/2010

**PLEASE CHECK [WWW.MOLEX.COM](http://WWW.MOLEX.COM) FOR LATEST PART INFORMATION**

DWG. NO. SD-52484-008

8 7 6 5 4 3 2 1



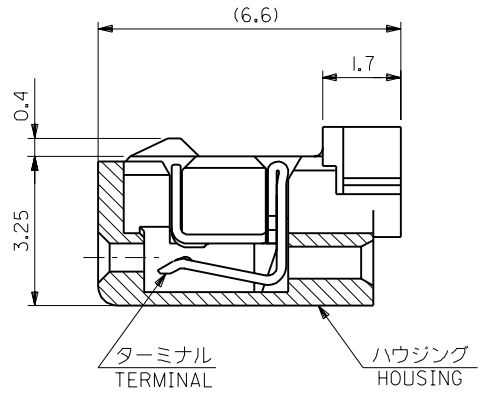
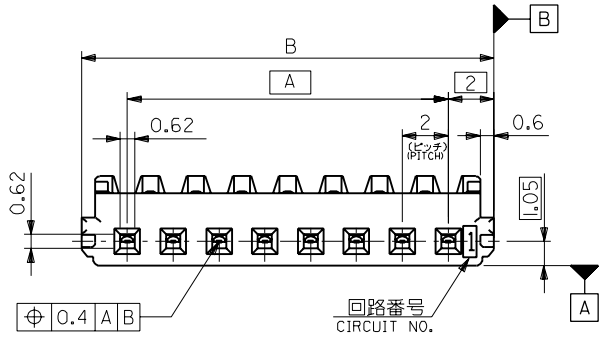
**注記 NOTES**

1. 嵌合相手: 53324-\*\*\*0, 53325-\*\*\*0, 53358-\*\*\*0, 53401-\*\*\*0  
MATES WITH
2. 材質 MATERIAL  
ハウジング: ガラス入り66ナイロン, UL94V-0, 色: 表参照  
HOUSING: GLASS FILLED 66 NYLON, UL94V-0, COLOR: SEE CHART  
ターミナル: りん青銅, 錫メッキ (t=0.2)  
TERMINAL: PHOSPHOR BRONZE, PRE-TINNED (t=0.2)
3. 適合クリップ: 51094-\*\*\*05  
APPLICABLE CLIP



製品番号 MATERIAL NO.  
52484-\*\*\*  
極数 CIRCUIT SIZE

ナチュラル(白) NATURAL(WHITE)	0
赤 RED	2
黄 YELLOW	3
青 BLUE	4



ターミナル装着状態図  
FIGURE OF TERMINAL WHEN ASSEMBLED  
(SCALE: 10-1)

32	28	52484-151*	15	52484-***1*
30	26	-141*	14	
28	24	-131*	13	
26	22	-121*	12	
24	20	-111*	11	
22	18	-101*	10	
20	16	-091*	9	
18	14	-081*	8	
16	12	-071*	7	
14	10	-061*	6	
12	8	-051*	5	52484-021*
10	6	-041*	4	
8	4	-031*	3	
6	2	52484-021*	2	
B	A	製品番号 MATERIAL NO.	極数 CIRCUIT	MODEL NO.

DO NOT SCALE DRAWING

EC NO. DRWN: CHK: APPR:	EC NO. DRWN: CHK: APPR:	EC NO. DRWN: CHK: APPR:	EC NO. DRWN: CHK: APPR:	O	REV	DESCRIPTION	MATERIAL 材料	注参照 SEE NOTES	GENERAL TOLERANCES: (UNLESS SPECIFIED) 一般公差	SCALE 5-1	DESIGN UNITS <input checked="" type="checkbox"/> mm <input type="checkbox"/> INCH	THIRD ANGLE PROJECTION	DIMENSIONS: <input type="checkbox"/> mm <input type="checkbox"/> INCH <input checked="" type="checkbox"/> mm ONLY	SHT	REV
							FINISH 仕上げ								
WIRE RANGE 適用線径範囲	AWG #26-#28	ANGLE 角度	+3°	APPROVED BY & DATE <i>M. Masuda</i> 00/05/07	MOLEX INCORPORATED	MATERIAL NO. SEE CHART	DRAWING NO. SD-52484-008	SHEET NO. 1 OF 1							
INS. RANGE 被覆外径	φ1.05 MAX.	THIS DRAWING CONTAINS INFORMATION THAT IS PROPRIETARY TO MOLEX INCORPORATED AND SHOULD NOT BE USED WITHOUT WRITTEN PERMISSION.		SIZE B											

8 7 6 5 4 3 2 1 EN-02J(097) MXJ-54

A 52484008.S01