

PLEASE CHECK WWW.MOLEX.COM FOR LATEST PART INFORMATION

Part Number: [0432028122](#)
Status: **Active**
Overview: [modular_plugs_jacks](#)
Description: Modular Jack, Right Angle, Low Profile, 8/2

Documents:

[3D Model](#) [Product Specification PS-43202-001 \(PDF\)](#)
[Drawing \(PDF\)](#) [RoHS Certificate of Compliance \(PDF\)](#)

Agency Certification

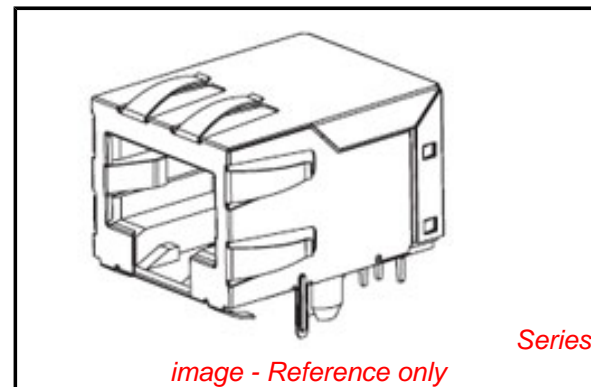
CSA LR19980
 UL E107635

General

Product Family Modular Jacks/Plugs
 Series [43202](#)
 Component Type PCB Jack
 Magnetic No
 Overview [modular_plugs_jacks](#)
 Performance Category 3
 Power over Ethernet (PoE) N/A
 Product Name RJ45

Physical

Boot Color N/A
 Color - Resin Black
 Durability (mating cycles max) 500
 Flammability 94V-0
 Inverted / Top Latch No
 Keying to Mating Part None
 Lightpipes/LEDs None
 Material - Metal Phosphor Bronze
 Material - Plating Mating Gold
 Material - Plating Termination Tin
 Material - Resin High Temperature Thermoplastic
 Orientation Right Angle (Side Entry)
 PCB Locator Yes
 PCB Retention Yes
 PCB Thickness Recommended (in) 0.062 In
 PCB Thickness Recommended (mm) 1.57 mm
 Packaging Type Tray
 Panel Mount Without Flange
 Pitch - Mating Interface (in) 0.040 In
 Pitch - Mating Interface (mm) 1.02 mm
 Pitch - Term. Interface (in) 0.050 In
 Pitch - Term. Interface (mm) 1.27 mm
 Plating min: Mating (µin) 50
 Plating min: Mating (µm) 1.25
 Plating min: Termination (µin) 100
 Plating min: Termination (µm) 2.5
 Ports 1
 Positions / Loaded Contacts 8/2
 Surface Mount Compatible (SMC) No
 Temperature Range - Operating -40°C to +85°C
 Termination Interface: Style Through Hole
 Waterproof / Dustproof No



EU RoHS

**ELV and RoHS
 Compliant**
REACH SVHC
 Not Reviewed
**Halogen-Free
 Status**
Not Reviewed

China RoHS



**Need more information on product
 environmental compliance?**

Email productcompliance@molex.com
 For a multiple part number RoHS Certificate of
 Compliance, [click here](#)

Please visit the [Contact Us](#) section for any
 non-product compliance questions.

Search Parts in this Series

[43202Series](#)

Mates With

FCC 68 Plugs

| | |
|-------------------------------|---------------|
| Wire/Cable Type | N/A |
| Electrical | |
| Current - Maximum per Contact | 1.5A |
| Grounding to PCB | No |
| Grounding to Panel | None |
| Shielded | No |
| Voltage - Maximum | 150V AC (RMS) |

Solder Process Data

| | |
|------------------------------|------------------------|
| Lead-free Process Capability | Wave Capable (TH only) |
|------------------------------|------------------------|

Material Info

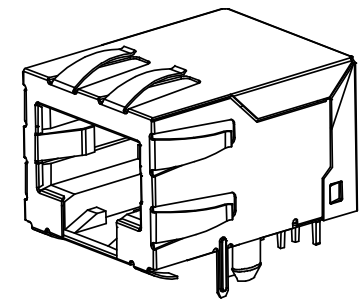
| | |
|-----------------|------------|
| Old Part Number | A432028122 |
|-----------------|------------|

Reference - Drawing Numbers

| | |
|-------------------------|-----------------------------|
| Packaging Specification | PK-43202-003 |
| Product Specification | PS-43202-001, RPS-43202-002 |
| Sales Drawing | SDA-43202 |

This document was generated on 06/07/2010

PLEASE CHECK WWW.MOLEX.COM FOR LATEST PART INFORMATION



SHIELDED MODULAR JACK
SHOWN WITH PANEL GROUND
OPTION 'D' AND FRONT
PCB GROUND TABS.

NOTES:

- 1) MATERIAL:
HOUSING: NYLON(PA), GLASS FILLED, UL94V-0, COLOR: SEE SHEETS 5 AND 6
INSULATOR: NYLON(PA), GLASS FILLED, UL94V-0, COLOR: SEE SHEETS 5 AND 6
TERMINALS: PHOSPHOR BRONZE, .012/ 0.30 THICK
SHIELD: BRASS, .007/ 0.18 THICK
- 2) FINISH:
TERMINALS:
A = SELECT GOLD IN CONTACT AREA: 50 MICROINCHES / 1.27 MICROMETERS MIN.,
*SELECT TIN IN PC TAIL AREA: 100 MICROINCHES / 2.54 MICROMETERS MIN.,
WITH OVERALL NICKEL UNDERPLATE: 50 MICROINCHES / 1.27 MICROMETERS MIN.
B = SELECT GOLD IN CONTACT AREA: 30 MICROINCHES / 0.76 MICROMETERS MIN.,
*SELECT TIN IN PC TAIL AREA: 100 MICROINCHES / 2.54 MICROMETERS MIN.,
WITH OVERALL NICKEL UNDERPLATE: 50 MICROINCHES / 1.27 MICROMETERS MIN.
*THE PRIMARY SHIPPING CARTON WILL BE LABELED "COMPLIANT TO RoHS
DIRECTIVE 2002/95/EC AND ELV ANNEX II OF DIRECTIVE 2000/53/EC".
CARTONS WITHOUT THIS LABEL MAY CONTAIN PRODUCT WITH TIN-LEAD
IN THE PC TAILS AND/OR SHIELD.
- SHIELD:
100 MICROINCHES / 2.54 MICROMETERS NICKEL OVER 50 MICROINCHES / 1.27
MICROMETERS COPPER UNDERPLATE PCB GROUND TABS DIPPED IN TIN
- 3) PRODUCT SPECIFICATION AND PROCESSING PARAMETERS: PS-43202.
- 4) PACKAGING SPECIFICATION:
UNSHIELDED CONNECTOR ASSEMBLIES PACKAGED IN THERMOFORMED TRAYS
PER MOLEX PACKAGING SPECIFICATION PK-43202-003.
UNSHIELDED CONNECTOR ASSEMBLIES PACKAGED IN TUBES
PER MOLEX PACKAGING SPECIFICATION PK-43202-005.
SHIELDED CONNECTOR ASSEMBLIES PACKAGED IN THERMOFORMED TRAYS
PER MOLEX PACKAGING SPECIFICATION PK-43202-004.
- 5) SEE SHEETS 7 - 9 FOR P.C. BOARD LAYOUTS.
- 6) CONFORMS TO FCC REGULATION PART 68.5 FOR MODULAR JACKS.
- 7) THIS PART CONFORMS TO CLASS B REQUIREMENTS OF COSMETIC
SPECIFICATION PS-45499-002.

| | |
|----|-----|
| 9 | L2 |
| 8 | L2 |
| 7 | L2 |
| 6 | L4 |
| 5 | L |
| 4 | K2 |
| 3 | L1 |
| 2 | L1 |
| 1 | L4 |
| SH | REV |

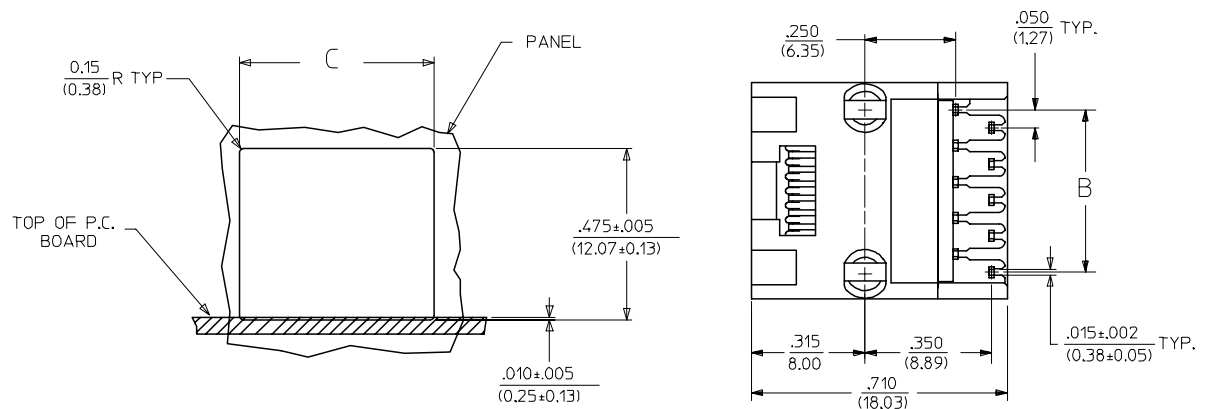
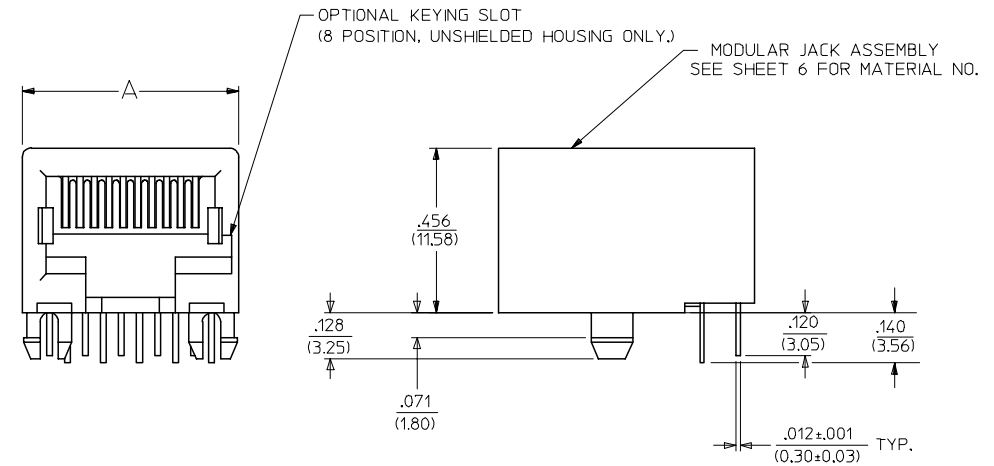
DRAWING LEGEND

- SHEET 1- NOTES, DRAWING LEGEND
- SHEET 2- SHIELDED MODULAR JACK W/ BOTTOM GROUND TABS
- SHEET 3- SHIELDED MODULAR JACK W/O BOTTOM GROUND TABS
- SHEET 4- UNSHIELDED MODULAR JACK
- SHEET 5- PART NUMBER CHARTS
- SHEET 6- PART NUMBER CHARTS
- SHEET 7- FOOTPRINT LAYOUT FOR 4 POSITION HOUSING
- SHEET 8- FOOTPRINT LAYOUT FOR 6 POSITION HOUSING
- SHEET 9- FOOTPRINT LAYOUT FOR 8 POSITION HOUSING

| | | | | | | | |
|--|--|---|------------------------------------|-----------------------------------|--|------------------------|--|
| OBS COLORED JACKS EC NO: UCP2008-1189 DRAWN:JBELL 2007/11/30 CHKD:LSCHMIDT 2008/02/20 APPR:FSM1TH 2008/03/04 | QUALITY SYMBOLS | GENERAL TOLERANCES (UNLESS SPECIFIED) | DIMENSION STYLE | SCALE | DESIGN UNITS | THIRD ANGLE PROJECTION | |
| | ▼=0 ▽=0 | mm INCH | IN/MM | 4:1 | INCH | | |
| | | 4 PLACES ±--- ±--- 3 PLACES ±--- ±.010 2 PLACES ±0.25 ±.014 1 PLACE ±0.36 ±--- | DRAWN BY DATE JTR 1993/03/31 | CHECKED BY DATE JTR 1993/03/31 | TITLE ULTRA LOW PROFILE RIGHT ANGLE MODULAR JACK ASSEMBLY | | |
| | | ANGULAR ±1/2° | APPROVED BY DATE RAS 1993/03/31 | MATERIAL NO. SEE SHTS 5&6 | | | |
| | DRAFT WHERE APPLICABLE MUST REMAIN WITHIN DIMENSIONS | DOCUMENT NO. SDA-43202 | | SHEET NO. 1 OF 9 | | | |
| L4 | REV | THIS DRAWING CONTAINS INFORMATION THAT IS PROPRIETARY TO MOLEX INCORPORATED AND SHOULD NOT BE USED WITHOUT WRITTEN PERMISSION | | | | | |

UNSHIELDED MODULAR JACKS

SIZE 8, LOADED 10 SHOWN



PANEL CUT-OUT (UNSHIELDED)

| HOUSING SIZE | LOADED CIRCUITS | A | B | C |
|--------------|-----------------|-----------------|---------------------------|---------------------------|
| 4 | 4 | .440 (11.18) | .150±.005 (3.81±0.13) | .460±.005 (11.68±0.13) |
| 4 | 2 | .440 (11.18) | .050±.005 (1.27±0.13) | .460±.005 (11.68±0.13) |
| 6 | 6 | .520 (13.21) | .250±.005 (6.35±0.13) | .540±.005 (13.72±0.13) |
| 6 | 4 | .520 (13.21) | .150±.005 (3.81±0.13) | .540±.005 (13.72±0.13) |
| 6 | 2 | .520 (13.21) | .050±.005 (1.27±0.13) | .540±.005 (13.72±0.13) |
| 8 | 10 | .600 (15.24) | .450±.005 (11.43±0.13) | .620±.005 (15.75±0.13) |
| 8 | 8 | .600 (15.24) | .350±.005 (8.89±0.13) | .620±.005 (15.75±0.13) |
| 8 | 6 | .600 (15.24) | .250±.005 (6.35±0.13) | .620±.005 (15.75±0.13) |
| 8 | 4 | .600 (15.24) | .150±.005 (3.81±0.13) | .620±.005 (15.75±0.13) |
| 8 | 2 | .600 (15.24) | .050±.005 (1.27±0.13) | .620±.005 (15.75±0.13) |

| | | | | | | | |
|---|-----------------------------|---------------------------------------|------------------------|-----------------------------------|--|--|--|
| SEE SHEET ONE FC NO: UCP2004-1194 DRWN:LSCHMIDT 2004/01/02 CHKD:LSCHMIDT 2004/01/05 APPR:ESMITH 2004/01/09 K2 | QUALITY SYMBOLS -0 -0 | GENERAL TOLERANCES (UNLESS SPECIFIED) | | SCALE 4:1 | DESIGN UNITS INCH | THIRD ANGLE PROJECTION REVISE ON CAD ONLY | |
| | | mm | INCH | DIMENSION STYLE IN/MM | | | |
| | | 4 PLACES ± --- ± --- | 3 PLACES ± --- ± .010 | DRAWN BY JTR DATE 1993/03/31 | TITLE ULTRA LOW PROFILE RIGHT ANGLE MODULAR JACK ASSEMBLY | | |
| | | 2 PLACES ± 0.25 ± .014 | 1 PLACE ± 0.36 ± --- | CHECKED BY JTR DATE 1993/03/31 | MOLEX MOLEX INCORPORATED | | |
| DRAFT WHERE APPLICABLE MUST REMAIN WITHIN DIMENSIONS | | APPROVED BY RAS DATE 1993/03/31 | MATERIAL NO. SEE SHT 6 | DOCUMENT NO. SDA-43202 | SHEET NO. 4 OF 9 | | |
| THIS DRAWING CONTAINS INFORMATION THAT IS PROPRIETARY TO MOLEX INCORPORATED AND SHOULD NOT BE USED WITHOUT WRITTEN PERMISSION | | | | | | | |

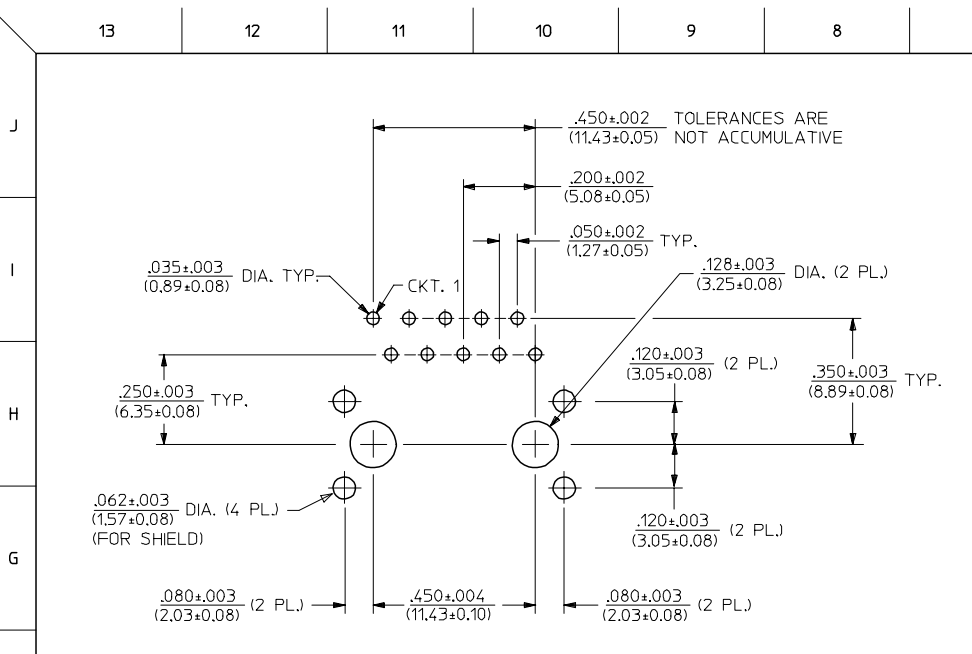
SHIELDED MODULAR JACKS W/O BOTTOM GROUND TABS (SHEET 3)

UNSHIELDED MODULAR JACKS- (SHEET 4)

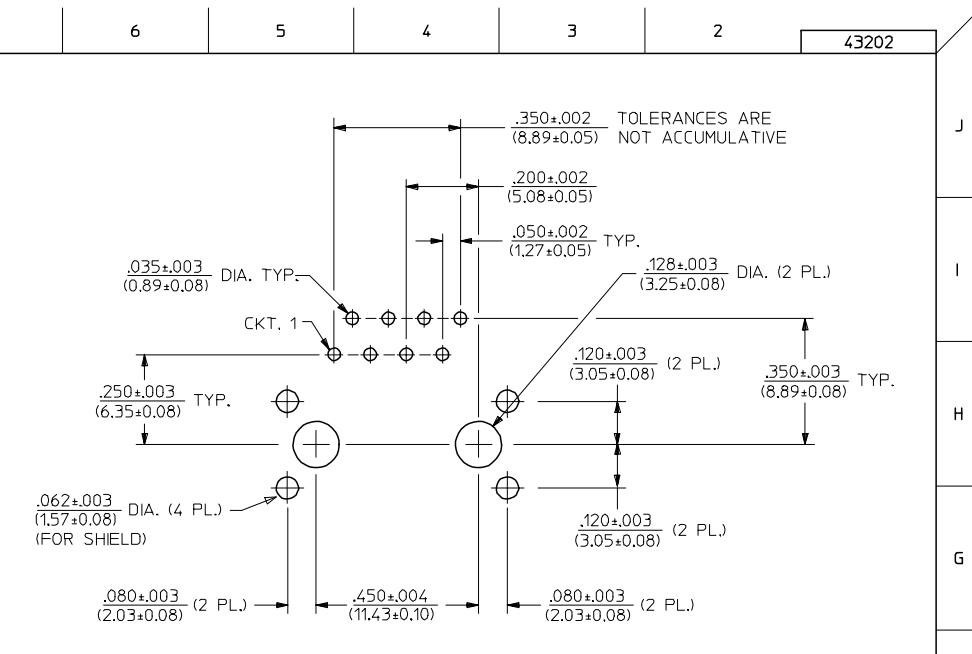
| ASSEMBLY MATERIAL NUMBER | CONNECTOR SIZE | NUMBER OF CIRCUITS | SIDE/TOP PANEL GROUND TAB OPTION | PCB GROUND TAB OPTION | TERMINAL PLATING OPTION | PACKAGING | HOUSING COLOR |
|--------------------------|----------------|--------------------|----------------------------------|-----------------------|-------------------------|-----------|---------------|
| 43202-8800 | 8 | 10 | E | FRONT POSITION | A | TRAY | BLACK |
| 43202-8801 | 8 | 10 | F | FRONT POSITION | A | TRAY | |
| 43202-8802 | 8 | 10 | G | FRONT POSITION | A | TRAY | |
| 43202-8803 | 8 | 10 | H | FRONT POSITION | A | TRAY | |
| 43202-8808 | 8 | 10 | E | REAR POSITION | A | TRAY | |
| 43202-8809 | 8 | 10 | F | REAR POSITION | A | TRAY | |
| 43202-8810 | 8 | 10 | G | REAR POSITION | A | TRAY | |
| 43202-8811 | 8 | 10 | H | REAR POSITION | A | TRAY | |
| 43202-8816 | 8 | 8 | E | FRONT POSITION | A | TRAY | |
| 43202-8817 | 8 | 8 | F | FRONT POSITION | A | TRAY | |
| 43202-8818 | 8 | 8 | G | FRONT POSITION | A | TRAY | |
| 43202-8819 | 8 | 8 | H | FRONT POSITION | A | TRAY | |
| 43202-8824 | 8 | 8 | E | REAR POSITION | A | TRAY | |
| 43202-8825 | 8 | 8 | F | REAR POSITION | A | TRAY | |
| 43202-8826 | 8 | 8 | G | REAR POSITION | A | TRAY | |
| 43202-8827 | 8 | 8 | H | REAR POSITION | A | TRAY | |

| ASSEMBLY MATERIAL NUMBER | CONNECTOR SIZE | NUMBER OF CIRCUITS | TERMINAL PLATING OPTION | KEYING OPTION | PACKAGING OPTION | HOUSING COLOR |
|--------------------------|----------------|--------------------|-------------------------|---------------|------------------|---------------|
| 43202-4101 | 4 | 4 | A | NO | TRAY | BLACK |
| 43202-4104 | 4 | 2 | A | NO | TRAY | |
| 43202-6101 | 6 | 6 | A | NO | TRAY | |
| 43202-6102 | 6 | 6 | B | NO | TRAY | |
| 43202-6104 | 6 | 4 | A | NO | TRAY | |
| 43202-6105 | 6 | 4 | B | NO | TRAY | |
| 43202-6107 | 6 | 2 | A | NO | TRAY | |
| 43202-6110 | 6 | 6 | B | NO | TUBE | |
| 43202-8101 | 8 | 10 | A | NO | TRAY | |
| 43202-8104 | 8 | 8 | A | NO | TRAY | |
| 43202-8105 | 8 | 8 | B | NO | TRAY | |
| 43202-8113 | 8 | 8 | A | YES | TRAY | |
| 43202-8116 | 8 | 6 | A | NO | TRAY | |
| 43202-8119 | 8 | 4 | A | NO | TRAY | |
| 43202-8122 | 8 | 2 | A | NO | TRAY | |
| 43202-8504 | 8 | 8 | A | NO | TUBE | |
| 43202-8513 | 8 | 8 | A | YES | TUBE | |

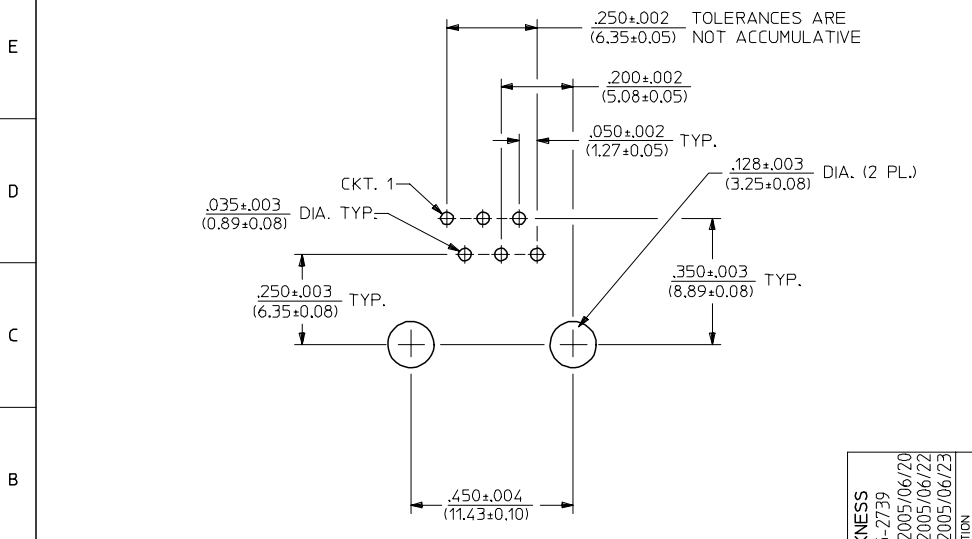
| | | | | | | | | | | |
|--|---------------------|---------------------------------------|-----------------------|---------------------------|------|-------------------|----------------------|--|--|--|
| OBS COLORED JACKS EC NO: UCP2008-1189 DRWN:JBELL 2007/11/30 CHKD:LSCHMIDT 2008/02/20 APPR:FSM1TH 2008/03/04 | QUALITY SYMBOLS | GENERAL TOLERANCES (UNLESS SPECIFIED) | | DIMENSION STYLE IN/MM | | SCALE 4:1 | DESIGN UNITS INCH | THIRD ANGLE PROJECTION | | |
| | | 4 PLACES ± --- ± --- | 3 PLACES ± --- ± .010 | mm | INCH | DRAWN BY JBS | DATE 2000/10/03 | TITLE ULTRA LOW PROFILE RIGHT ANGLE MODULAR JACK ASSEMBLY | | |
| | | 2 PLACES ± 0.25 ± .014 | 1 PLACE ± 0.36 ± --- | | | CHECKED BY BW | DATE 2000/10/03 | | | |
| | | ANGULAR ± 1/2° | | | | APPROVED BY BW | DATE 2000/10/03 | MOLEX INCORPORATED | | |
| DRAFT WHERE APPLICABLE MUST REMAIN WITHIN DIMENSIONS | | SEE CHART | | MATERIAL NO. SDA-43202 | | DOCUMENT NO. | | SHEET NO. 6 OF 9 | | |



PC BOARD LAYOUT FOR 8 POSITION HOUSING
(10 CIRCUIT FOOTPRINT SHOWN)
(COMPONENT SIDE OF BOARD)



PC BOARD LAYOUT FOR 8 POSITION HOUSING
(8 CIRCUIT FOOTPRINT SHOWN)
(COMPONENT SIDE OF BOARD)



PC BOARD LAYOUT FOR 8 POSITION HOUSING
(16 CIRCUIT FOOTPRINT SHOWN)
(COMPONENT SIDE OF BOARD)

NOTES:
1. RECOMMENDED PCB THICKNESS: .062±.005/(1.57±0.13)

| | | | | | | | | |
|---|-----------------|---|--------|---|-------------------|---|--------------------|--|
| ADD PCB THICKNESS EC NO: UCP2005-2739 DRWN: L.SCHMIDT 2005/06/20 CHKD: ELHAG 2005/06/22 APPR: F.SMITH 2005/06/23 REV: L2 | QUALITY SYMBOLS | GENERAL TOLERANCES (UNLESS SPECIFIED) | | SCALE 4:1 | DESIGN UNITS INCH | THIRD ANGLE PROJECTION | REVISE ON CAD ONLY | |
| | -0 -0 | mm | INCH | DIMENSION STYLE IN/MM | | TITLE | | |
| | | 4 PLACES ± --- ± --- | ± .010 | DRAWN BY L.E.LENZ DATE 1995/03/09 | | ULTRA LOW PROFILE RIGHT ANGLE MODULAR JACK ASSEMBLY | | |
| | | 3 PLACES ± --- ± --- | ± .014 | CHECKED BY JTR DATE 1995/03/09 | | | | |
| 2 PLACES ± 0.25 ± --- | ± --- | APPROVED BY RAS DATE 1995/03/09 | | MOLEX MOLEX INCORPORATED MATERIAL NO. SEE SHTS 5&6 DOCUMENT NO. SDA-43202 SHEET NO. 9 OF 9 | | | | |
| DRAFT WHERE APPLICABLE MUST REMAIN WITHIN DIMENSIONS | | THIS DRAWING CONTAINS INFORMATION THAT IS PROPRIETARY TO MOLEX INCORPORATED AND SHOULD NOT BE USED WITHOUT WRITTEN PERMISSION | | | | | | |