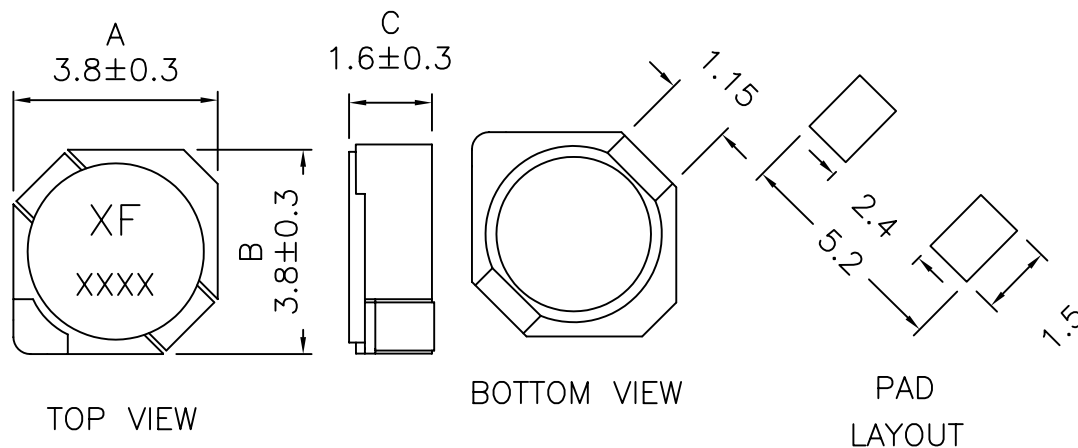


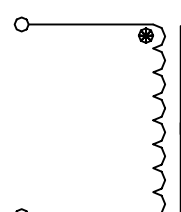
# XFMRS

## XFTPRH3D16 SERIES SHIELDED INDUCTOR

### Mechanical Dimensions:



### Schematic:



UNLESS OTHERWISE SPECIFIED  
TOLERANCES:  
.xx ±0.30  
Dimensions in MM

| Part Number     | OCL (1)<br>(uH) | DCR (2)<br>(Max mOhm) | IDC (3)<br>(A) |
|-----------------|-----------------|-----------------------|----------------|
| XFTPRH3D16-1R5_ | 1.50            | 52                    | 1.55           |
| XFTPRH3D16-2R2_ | 2.20            | 72                    | 1.20           |
| XFTPRH3D16-3R3_ | 3.30            | 85                    | 1.10           |
| XFTPRH3D16-4R7_ | 4.70            | 105                   | 0.90           |
| XFTPRH3D16-6R8_ | 6.80            | 170                   | 0.73           |
| XFTPRH3D16-100_ | 10.0            | 210                   | 0.55           |
| XFTPRH3D16-150_ | 15.0            | 295                   | 0.45           |
| XFTPRH3D16-220_ | 22.0            | 430                   | 0.40           |
| XFTPRH3D16-330_ | 33.0            | 675                   | 0.32           |

Inductance Tolerance: (J: ±5%, K: ±10%, M: ±20%)

- (1). OCL Test Parameters: 10KHz, 0.1Vrms, 0.0Adc
- (2). Values @ 20°C
- (3). Inductance drop=35% typ At IDC
- (4). Tape & Reel Packaging Standard, 2000 Pcs per 13"Reel
- (5). Operating Temp: -40 to +85°C
- (6). RoHS/REACH Compliant Component