

PLEASE CHECK WWW.MOLEX.COM FOR LATEST PART INFORMATION

Part Number: [0352630915](#)
Status: **Active**
Description: 2.28/4.75mm (.090/187") Tab Housing, Female, 9 Circuits

Documents:

[Drawing \(PDF\)](#) [RoHS Certificate of Compliance \(PDF\)](#)

General

Product Family	Crimp Housings
Series	35263
Product Name	N/A

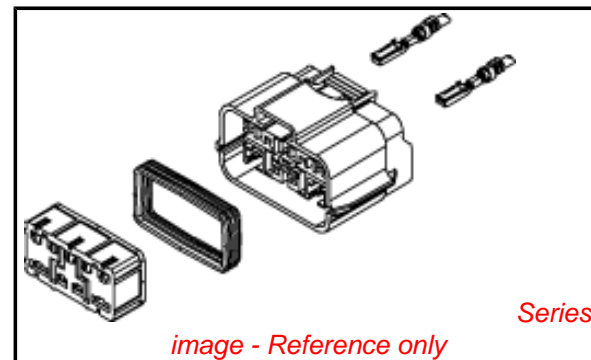
Physical

Circuits (maximum)	9
Color - Resin	Brown, Gray (Dark)
Gender	Female
Glow-Wire Compliant	No
Material - Resin	Polyester
Number of Rows	2
Packaging Type	Bag
Panel Mount	No
Pitch - Mating Interface (in)	0.236 In
Pitch - Mating Interface (mm)	6.00 mm
Stackable	No
Temperature Range - Operating	-40°C to +85°C

Material Info

Reference - Drawing Numbers

Sales Drawing	SD-35263-0915
---------------	---------------



EU RoHS

**ELV and RoHS
Compliant**
REACH SVHC
 Not Reviewed
**Halogen-Free
Status**
Halogen-Free

China RoHS



**Need more information on product
environmental compliance?**

Email productcompliance@molex.com
 For a multiple part number RoHS Certificate of
 Compliance, [click here](#)

Please visit the [Contact Us](#) section for any
 non-product compliance questions.

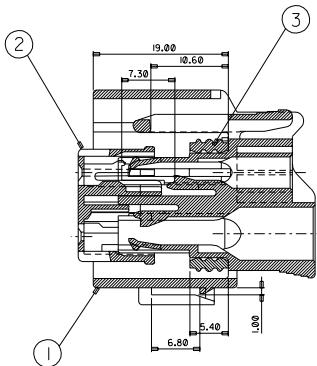
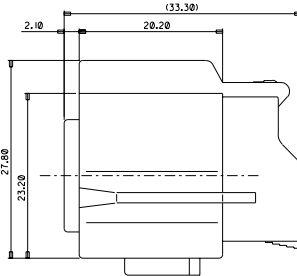
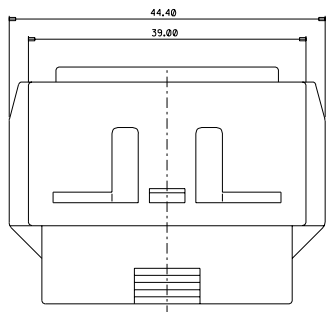
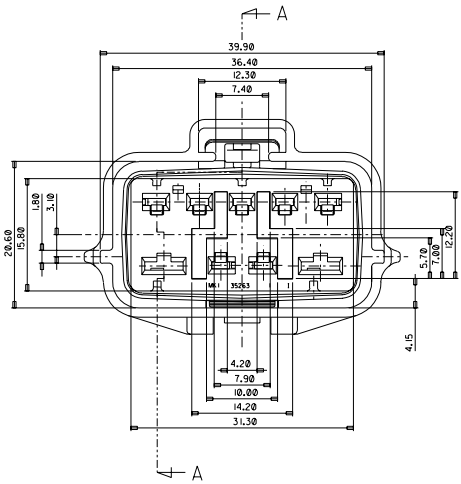
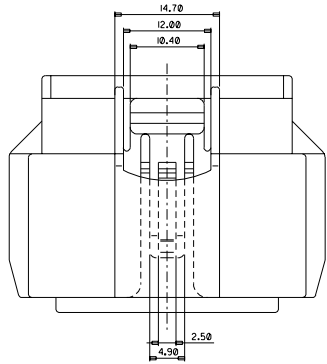
Search Parts in this Series

[35263Series](#)

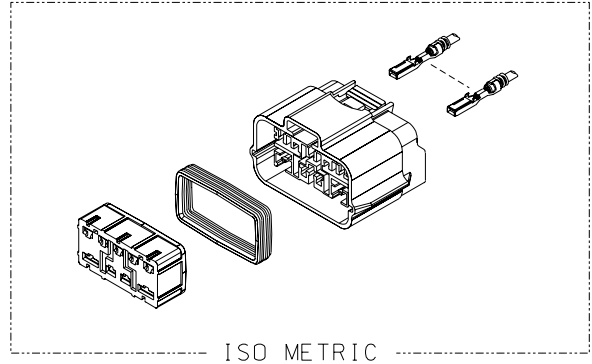
Use With

[35407](#)

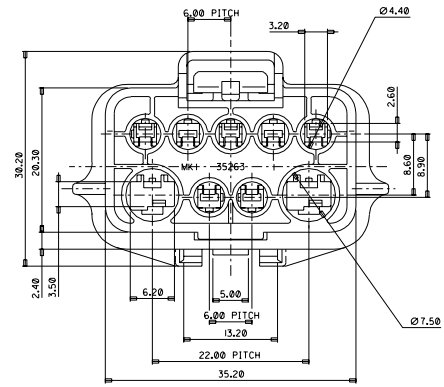
PLEASE CHECK WWW.MOLEX.COM FOR LATEST PART INFORMATION



SECTION A-A



ISO METRIC



NOTE

1. APPLICABLE TERMINAL: FEMALE 35407-6702(S), 35407-6902(L) (.090 TYPE) MALE 35408-9702(S), 35408-9902(L)
2. APPLICATION CONNECTOR: SUMITOMO PART NO.(M 6195-0173)

NO.	PART NAME	PART NO.	MATERIAL	FINISH
1	FEMALE HSG 9P	SD35263-0995	PBT	DARK-GRAY
2	FRONT T.P.A	SD35264-0982	PBT	BROWN
3	FRONT SEAL	SD35903-0017	OIL SILICON	RED

		MATERIAL		MOLEX MOLEX-KOREA CO.,LTD.	
		SEE TABLE		DRAWN BY B.C.YOON	
		GENERAL TOLERANCE DIMENSION : +0.30		CHK'D BY	
		ANGLE : —		SCALE 2:1	
		DIMENSION CLASSIFICATION		TITLE :	
		▽ : CRITICAL ▼ : MAJOR		.0918 FEMALE HSG ASSY 9P	
A NEW RELEASED		97.8.1		ASS'Y PART DESCRIPTION ENG. NO.	
LTR REVISION RECORD		ECN DATE		ENG. NO. SD35263-0915	
REVISE ONLY ON CAD SYSTEM		— / —		REV A	