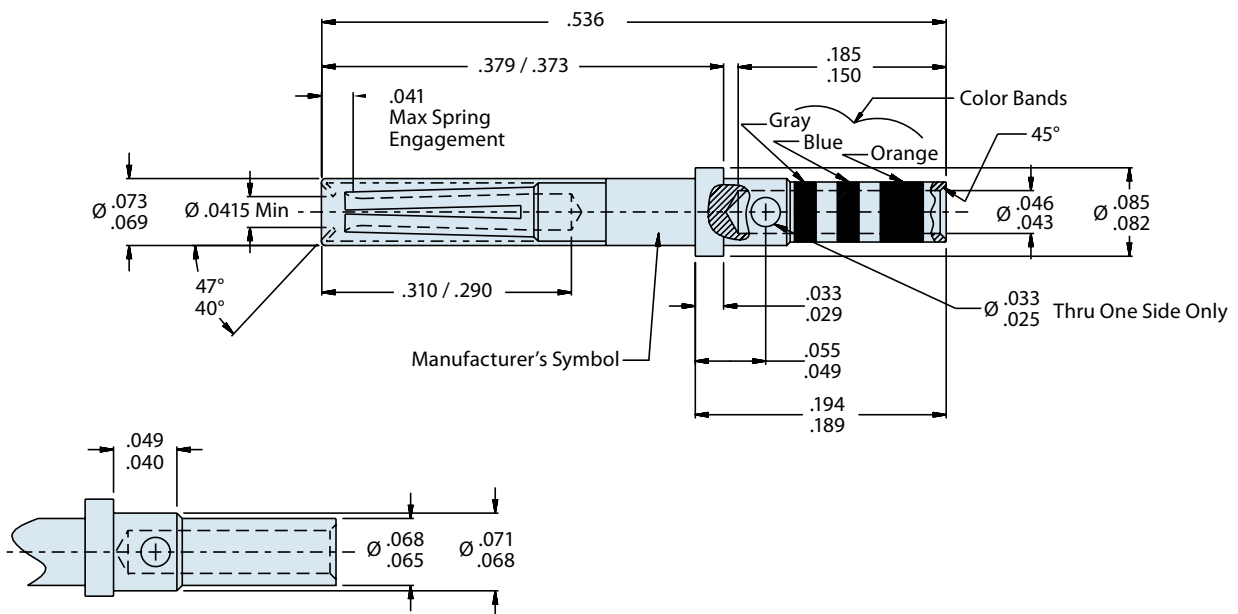


M24308

### Standard Socket Crimp Contact for MIL-DTL-24308



Mating End Size	Wire Accomodation	Military Part Number	Glenair Part Number
20	20-24 AWG	M39029/63-368	850-021-20-368



#### Material and Finish\*

Pin Contact: Copper Alloy/Gold Plated

Socket Contact: Copper Alloy/Gold Plated

Socket Contact Hood: Passivated Stainless Steel

\*See pages A-4 and A-5 for detailed material specifications

#### Tools

Crimp Tool: M22520/2-01

Positioner: M22520/2-08

Insertion/Extraction Tools: M81969/14-02 or M81969/1-02