

# HF9516

## 1 CUBIC INCH 3 FORM C HERMETICALLY SEALED RELAY WITH COIL TRANSIENT SUPPRESSION



### Features

- Force balanced type
- With coil transient suppression
- 25A contacts switching capability
- Failure rate can be level L
- High ambient applicability
- All metal welded construction
- Hermetically welded and marked by laser

Conform to GJB2888-97 (Equivalent to MIL-PRF-83536)

### AMBIENT ADAPTABILITY

Ambient grade		I	II
Ambient temperature		-55°C to 85 °C	-65°C to 125 °C
Humidity			98%, 40 °C
Low air pressure		58.53 kPa	4.4 kPa
Sine vibration	Frequency	10 Hz to 2 000 Hz	10 Hz to 3 000 Hz
	Acceleration	196 m/s <sup>2</sup>	294 m/s <sup>2</sup>
Shock resistance		980 m/s <sup>2</sup>	1960 m/s <sup>2</sup>
Random vibration		20 (m/s <sup>2</sup> ) <sup>2</sup> /Hz	40 (m/s <sup>2</sup> ) <sup>2</sup> /Hz
Steady-state acceleration		147 m/s <sup>2</sup>	490 m/s <sup>2</sup>

### CONTACT DATA

Ambient grade		I	II
Arrangement			3 C
Contact voltage drop	Initial max.		0.15V
	After life max.		0.175V
Failure level			Level L

### Contact and life ratings

Type	Contact load		Electrical life min.
	28Vd.c.	115/200Va.c. 400Hz Three phase	
Resistive	25A	25A	5 x 10 <sup>4</sup> ops
Inductive	12A		1 x 10 <sup>4</sup> ops
Inductive		15A	2 x 10 <sup>4</sup> ops
Motor	10A		5 x 10 <sup>4</sup> ops
Lamp load	5A		5 x 10 <sup>4</sup> ops



HONGFA HERMETICALLY SEALED RELAY

## SPECIFICATION

Ambient grade		I	II
Insulation resistance min.	Initial	100 MΩ (@ 500 Vd.c.)	100 MΩ (@ 500 Vd.c.)
	After life or after testing	50 MΩ (@ 500 Vd.c.)	50 MΩ (@ 500 Vd.c.)
Dielectric strength min. (Normal condition)	Between coil & cover	1000 Vr.m.s.	1000 Vr.m.s.
	Between other insulation parts (initial)	1250 Vr.m.s.	1250 Vr.m.s.
	Between other insulation parts (after life testing)	1000 Vr.m.s.	1000 Vr.m.s.
Dielectric strength min. (Low air pressure condition)		250 Vr.m.s.	250 Vr.m.s.
Leakage rate max.		1 Pa·cm <sup>3</sup> /s	1 x 10 <sup>-3</sup> Pa·cm <sup>3</sup> /s
Operate time max.		15 ms	
Coil pulse width min.		15 ms	
Mounting style		See the mounting dimension	
Terminals		See the terminal styles	
Work position		Random	
Weight max.		85g	

## COIL DATA

Normal coil power	Approx.3W
-------------------	-----------

### Coil Version

Order Number	Coil voltage		at 25 °C				-65°C to 125°C			Pick-up voltage max.	
	Nominal voltage	Value max.	Coil resistance (Ω) min.	Pick-up voltage max.	Hold voltage max.	Drop-out voltage min.	Pick-up voltage max.	Hold voltage max.	Drop-out voltage min.	High temp. test	Continuous electric test
028	28	29	260	15.5	5.5	2.3	20.0	7.0	1.5	21.0	25.0

Notes: We can offer many kinds of of coil voltage under the requirement of users.

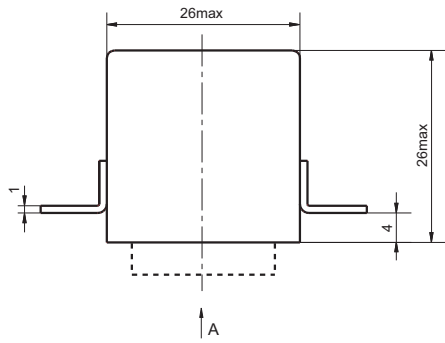
## ORDERING INFORMATION

Type	HF9516	-028	L	-2	2	- II
Order Number	028					
Failure Rate	L (level II products available)					
Mounting Style	2, 3 (See the mounting dimension)					
Terminals Style	2, 4 (See " Terminal styles " below)					
Ambient Grade	I : level I Nil: level II (With failure rate requirement)					

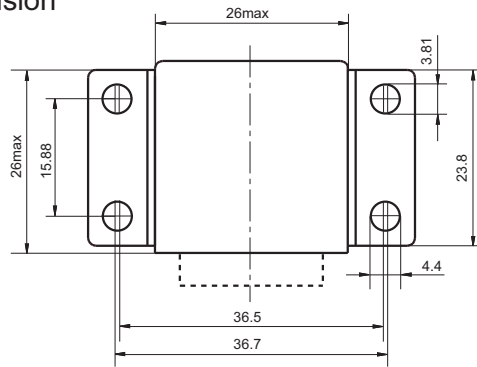
# OUTLINE DIMENSIONS AND WIRING DIAGRAM

Unit:mm

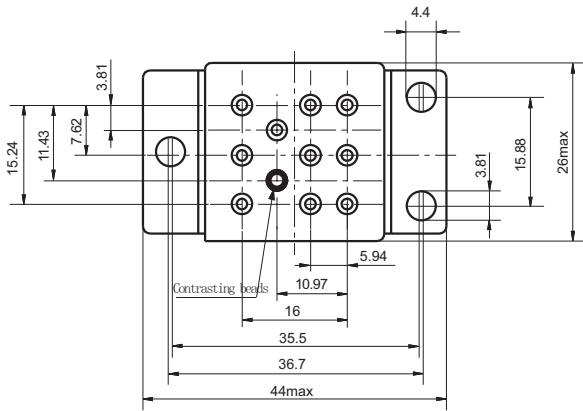
## Outline Dimension



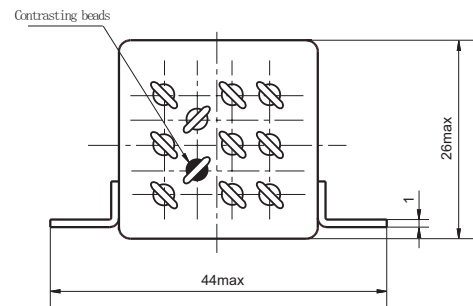
A direction



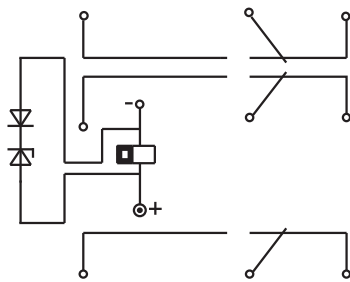
A direction



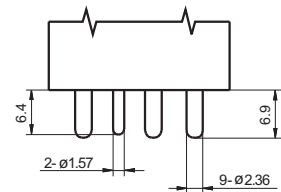
Mounting style 2



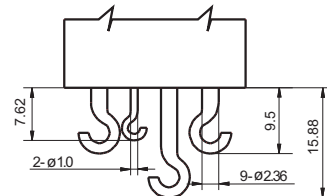
Mounting style 3



Wiring Diagram  
(Bottom View)



Terminal style 2  
(Solder pin)



Terminal style 4  
(Solder hook)

## Disclaimer

This datasheet is for the customers' reference. All the specifications are subject to change without notice.

© Xiamen Hongfa Electroacoustic Co., Ltd. All rights of Hongfa are reserved.