

# Token Ring Transceiver Module

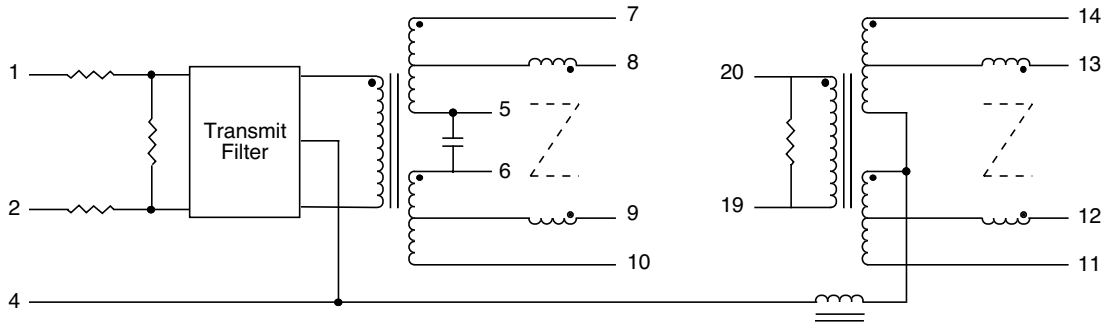
## EPT7063G

- Optimized for TI380C30 •
- Supports both UTP and STP Transmission •
- Robust Construction allows for severe soldering processes •
- Complies with or exceeds IEEE 802.5 Requirements •

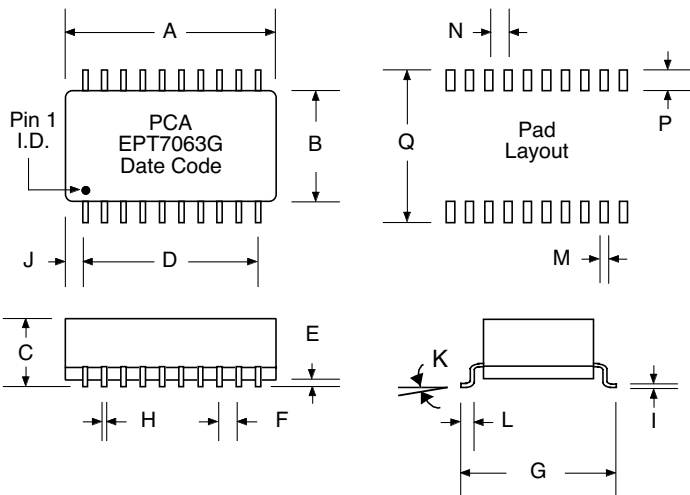
### Electrical Parameters @ 25° C

Impedance (Ω) [Xmit/Rcv]	Insertion Loss (dB Max.)								Return Loss (dB Min.)						Common Mode Rejection (dB Min.)				Crosstalk (dB Min.)
	1-16 MHz		32 MHz		36 MHz		44 MHz		1-6 MHz		6-17 MHz		17-25 MHz		1-32 MHz		100 MHz		
Chip Side 150	Xmit	Rcv	Xmit	Rcv	Xmit	Rcv	Xmit	Rcv	Xmit	Rcv	Xmit	Rcv	Xmit	Rcv	Xmit	Rcv	Xmit	Rcv	
Cable Side 150/100	-8	-8	-7	-1	-25	-1	-30	-1	-15	-15	-15	-15	-9	-15	-50	-25	-40	-15	-45

### Schematic



### Package



### Dimensions

Dim.	(Inches)			(Millimeters)		
	Min.	Max.	Nom.	Min.	Max.	Nom.
A	1.08	1.10	1.09	27.43	27.94	27.69
B	.560	.580	.570	14.22	14.73	14.48
C	.280	.300	.290	7.11	7.62	7.37
D	---	---	.900	---	---	22.86
E	.010	.015	.013	.254	.381	.330
F	---	---	.100	---	---	2.54
G	.690	.710	.700	17.53	18.03	17.78
H	.018	.022	.020	.457	.559	.508
I	.008	.012	.010	.203	.305	.254
J	---	---	.095	---	---	2.41
K	0°	8°	---	0°	8°	---
L	.025	.045	.035	.635	1.14	.889
M	---	---	.030	---	---	.762
N	---	---	.100	---	---	2.54
P	---	---	.090	---	---	2.29
Q	---	---	.740	---	---	18.80