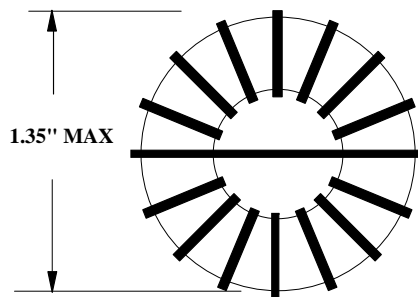
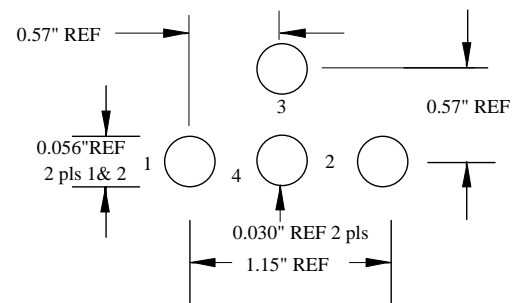


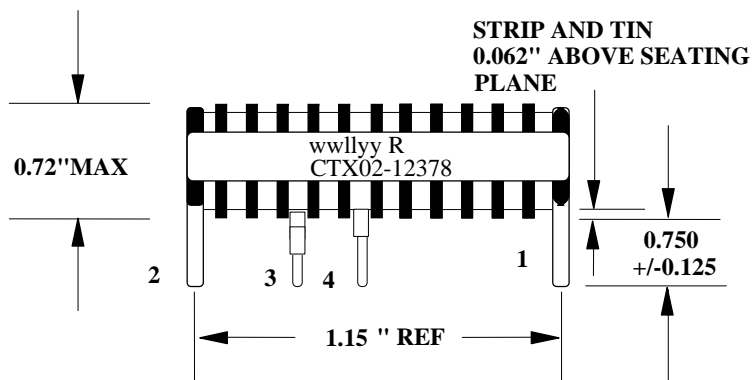
TOP VIEW



RECOMMENDED PCB PAD LAYOUT



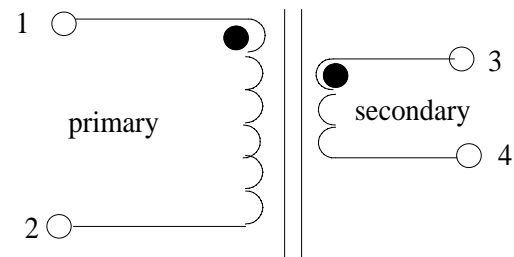
FRONT VIEW



ELECTRICAL CHARACTERISTICS

OCL (1 - 2) @ 0.100 Vrms, 100 kHz, & 0.0 Adc: 692.0 - 846.0 μ H
 OCL (1 - 2) @ 0.250 Vrms, 100 kHz, & 2.60 Adc: 375.0 μ H minimum
 DCR (1 - 2) @ 20°C: 0.080 Ohms maximum
 DCR (3 - 4) @ 20°C: 0.031 Ohms maximum
 Turns ratio: (1 - 2):(3 - 4) 23.3: 1

SCHEMATIC



Notes:

1. All dimensions are in inches
2. Tolerances are 0.xx +/- 0.020"; 0.xxx +/- 0.005" unless otherwise stated

COOPER ELECTRONIC TECHNOLOGIES

6000 Park of Commerce Blvd, Boca Raton, FL 33487

Inductor, power factor correction, with auxillary winding. Kool-Mu toroid, through-hole

SIZE	Drawing Number: CTX02-12378	
A	Revision Level: B	Sheet: 3 of 4