

PLEASE CHECK WWW.MOLEX.COM FOR LATEST PART INFORMATION

Part Number: [0532902071](#)
Status: **Planned for Obsolescence**
Description: 2.00mm (.079") Pitch Board-to-Board Header, Vertical, Single Row, 0.50mm (.020") Square Pin, with Friction Lock, Lead-free, 20 Circuits, without Kinked PC Tails, Tube Package

Documents:

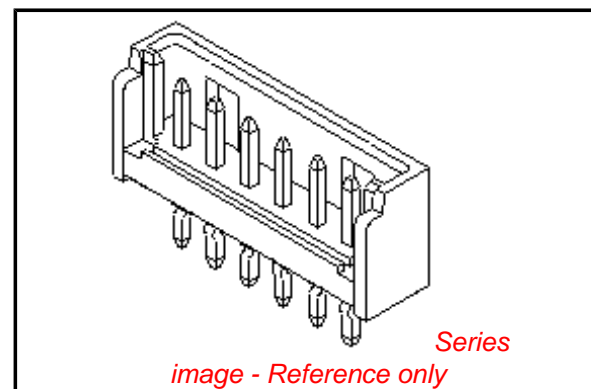
[3D Model](#) [Product Specification PS-52418-003 \(PDF\)](#)
[Drawing \(PDF\)](#) [RoHS Certificate of Compliance \(PDF\)](#)

General

Product Family PCB Headers
 Series [53290](#)
 Application Board-to-Board
 Product Name N/A

Physical

Breakaway No
 Circuits (Loaded) 20
 Circuits (maximum) 20
 Color - Resin Natural
 Durability (mating cycles max) 30
 First Mate / Last Break No
 Glow-Wire Compliant No
 Guide to Mating Part No
 Keying to Mating Part None
 Lock to Mating Part Yes
 Mated Height (in) 0.236 In
 Mated Height (mm) 6.00 mm
 Material - Metal Brass
 Material - Plating Mating Tin
 Material - Plating Termination Tin
 Material - Resin Polyester
 Number of Rows 1
 Orientation Vertical
 PC Tail Length (in) 0.126 In
 PC Tail Length (mm) 3.20 mm
 PCB Locator No
 PCB Retention None
 PCB Thickness Recommended (in) 0.062 In
 PCB Thickness Recommended (mm) 1.60 mm
 Packaging Type Tube
 Pitch - Mating Interface (in) 0.079 In
 Pitch - Mating Interface (mm) 2.00 mm
 Plating min: Mating (µin) 40
 Plating min: Mating (µm) 1.00
 Plating min: Termination (µin) 40
 Plating min: Termination (µm) 1.00
 Polarized to Mating Part Yes
 Polarized to PCB No
 Shrouded Partial
 Stackable No
 Surface Mount Compatible (SMC) No
 Temperature Range - Operating -40°C to +105°C
 Termination Interface: Style Through Hole



EU RoHS

ELV and RoHS Compliant
REACH SVHC Contains SVHC: No
Halogen-Free Status
Not Reviewed

China RoHS



Need more information on product environmental compliance?

Email productcompliance@molex.com
 For a multiple part number RoHS Certificate of Compliance, [click here](#)

Please visit the [Contact Us](#) section for any non-product compliance questions.

Search Parts in this Series

[53290Series](#)

Mates With

[52418 PCB Receptacle](#)

Electrical

Current - Maximum per Contact

1.5A

Voltage - Maximum

125V

Material Info**Reference - Drawing Numbers**

Product Specification

PS-52418-003, RPS-52418-004

Sales Drawing

SD-53290-006, SD-53290-007

This document was generated on 06/01/2010

PLEASE CHECK WWW.MOLEX.COM FOR LATEST PART INFORMATION

10 9 8 7 6 5 4 3 2 1

F

E

D

C

B

A

F

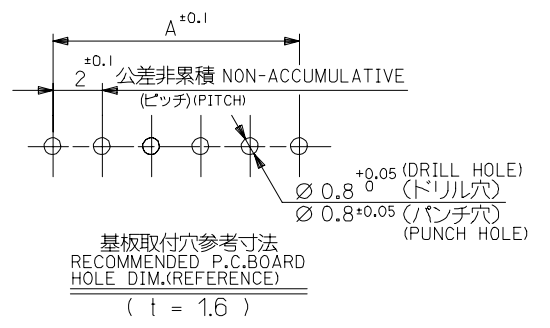
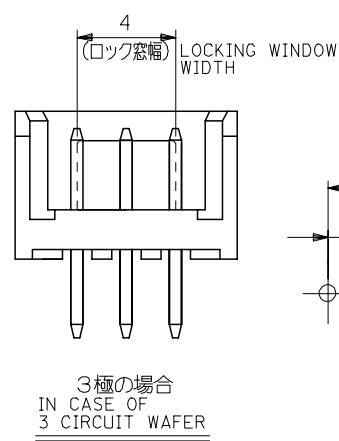
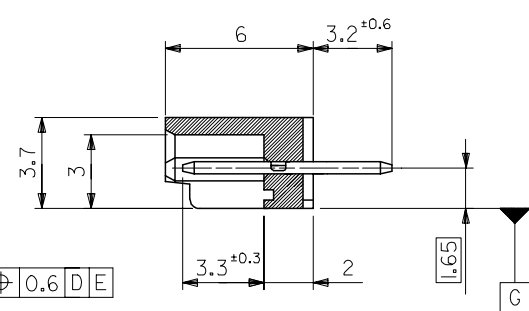
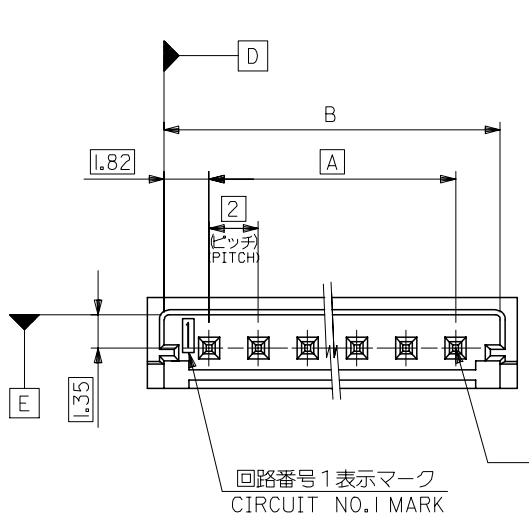
E

D

C

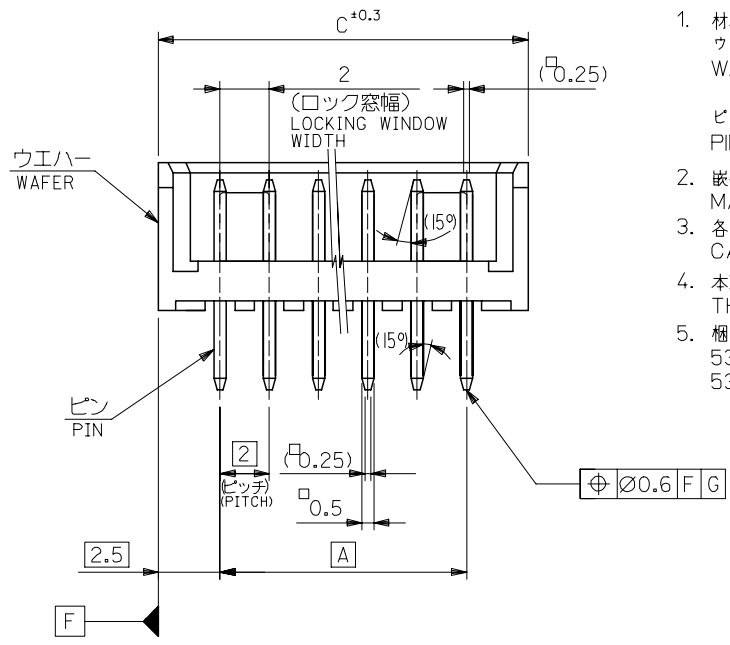
B

A



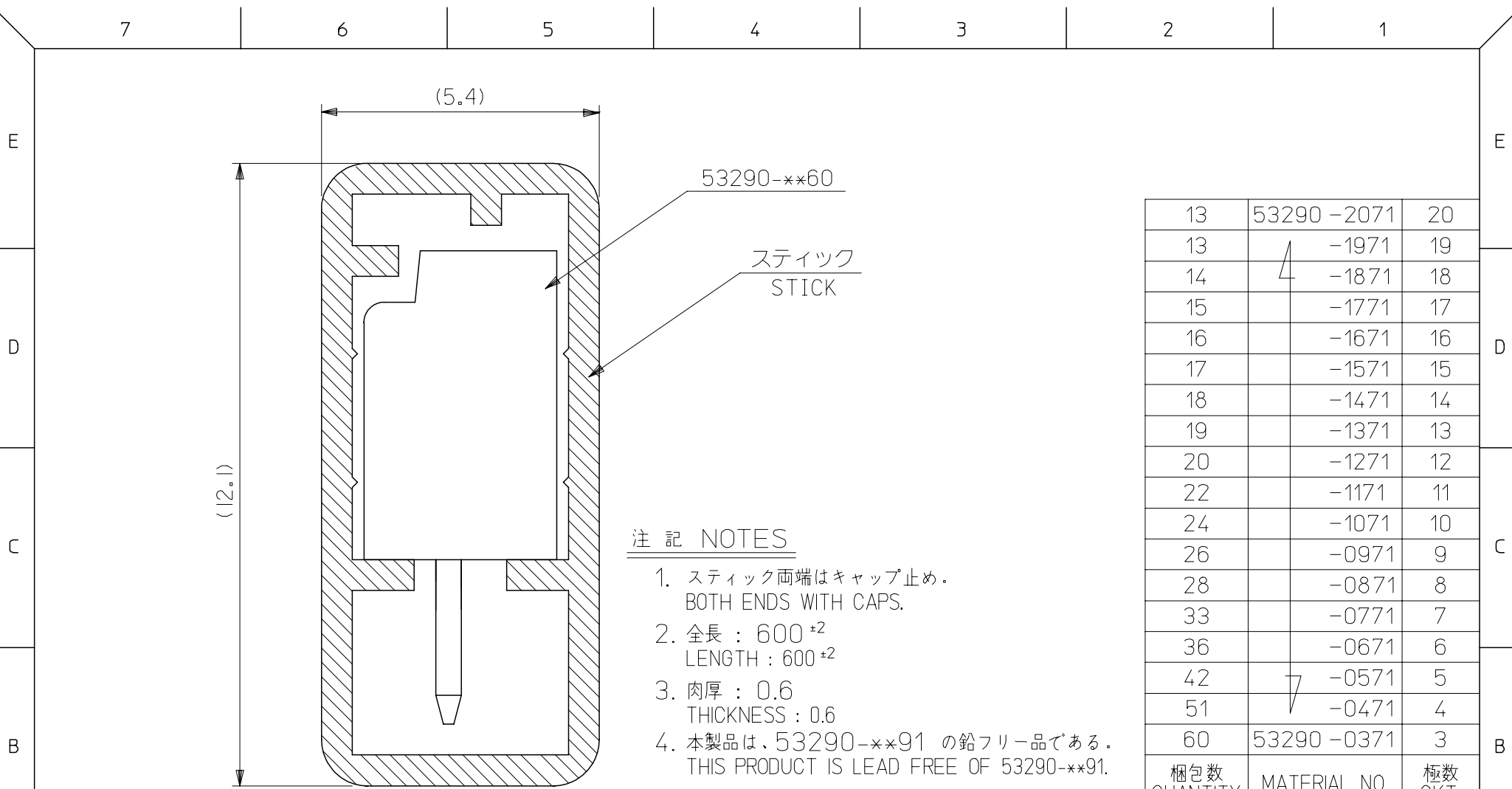
注記 NOTES

1. 材料 MATERIAL
ウエハー: PBT (ガラス 15% 入り)
WAFER G.F. 15%
UL94V-0
ピン : 黄銅, 錫メッキ
PIN : BRASS, TIN
2. 嵌合相手 : 52418 シリーズ
MATE WITH : 52418 SERIES
3. 各部のソリは 0.2MAX.
CAMBER : 0.2MAX.
4. 本製品は、53290-**20 の鉛フリー品である。
THIS PRODUCT IS LEAD FREE OF 53290-**20.
5. 梱包仕様 PACKAGING
53290-**60 トレー TRAY
53290-**50 ポリ袋 POLYBAG



| | | | | | |
|----|-------|----|--------------|--------------|-----------|
| 43 | 41.64 | 38 | 53290-2050 | 53290-2060 | 20 |
| 41 | 39.64 | 36 | -1950 | -1960 | 19 |
| 39 | 37.64 | 34 | -1850 | -1860 | 18 |
| 37 | 35.64 | 32 | -1750 | -1760 | 17 |
| 35 | 33.64 | 30 | -1650 | -1660 | 16 |
| 33 | 31.64 | 28 | -1550 | -1560 | 15 |
| 31 | 29.64 | 26 | -1450 | -1460 | 14 |
| 29 | 27.64 | 24 | -1350 | -1360 | 13 |
| 27 | 25.64 | 22 | -1250 | -1260 | 12 |
| 25 | 23.64 | 20 | -1150 | -1160 | 11 |
| 23 | 21.64 | 18 | -1050 | -1060 | 10 |
| 21 | 19.64 | 16 | -0950 | -0960 | 9 |
| 19 | 17.64 | 14 | -0850 | -0860 | 8 |
| 17 | 15.64 | 12 | -0750 | -0760 | 7 |
| 15 | 13.64 | 10 | -0650 | -0660 | 6 |
| 13 | 11.64 | 8 | -0550 | -0560 | 5 |
| 11 | 9.64 | 6 | -0450 | -0460 | 4 |
| 9 | 7.64 | 4 | 53290-0350 | 53290-0360 | 3 |
| C | B | A | MATERIAL NO. | MATERIAL NO. | 極数 CKT |

| | | | | | | | | | |
|---|--|--|----------------------------|---|--------------|---|---------------------------|--|--|
| REVISED EC No: J2005-2460 DRAWN: NAIDA CHKD: KTOJO APPR: NUKITA 2005/02/25 2005/02/28 2005/03/07 | GENERAL TOLERANCES (UNLESS SPECIFIED) | | DIMENSION STYLE MM ONLY | | SCALE --- | DESIGN UNITS METRIC | THIRD ANGLE PROJECTION | | |
| | 10 UNDER ±0.2 10 OVER 30 UNDER ±0.25 30 OVER ±0.3 | DRAWN BY J. SASAMO DATE 2004/8/20 | | TITLE 2.0 BOARD TO BOARD CONN. WAFER ASS'Y -LEAD FREE- | | MOLEX INCORPORATED DOCUMENT NO. SD-53290-006 SHEET NO. 1 OF 1 | | | |
| | ANGULAR ±3 ° DRAFT WHERE APPLICABLE MUST REMAIN WITHIN DIMENSIONS | APPROVED BY N. UKITA DATE 2004/8/20 | | SEE CHART | | | | | |
| | SIZE A3 | THIS DRAWING CONTAINS INFORMATION THAT IS PROPRIETARY TO MOLEX INCORPORATED AND SHOULD NOT BE USED WITHOUT WRITTEN PERMISSION | | | | | | | |



注記 NOTES

1. スティック両端はキャップ止め。
BOTH ENDS WITH CAPS.
2. 全長 : 600 ±2
LENGTH : 600 ±2
3. 肉厚 : 0.6
THICKNESS : 0.6
4. 本製品は、53290-**91 の鉛フリー品である。
THIS PRODUCT IS LEAD FREE OF 53290-**91.

| 梱包数 QUANTITY | MATERIAL NO. | 極数 CKT. |
|-----------------|--------------|------------|
| 13 | 53290 -2071 | 20 |
| 13 | -1971 | 19 |
| 14 | -1871 | 18 |
| 15 | -1771 | 17 |
| 16 | -1671 | 16 |
| 17 | -1571 | 15 |
| 18 | -1471 | 14 |
| 19 | -1371 | 13 |
| 20 | -1271 | 12 |
| 22 | -1171 | 11 |
| 24 | -1071 | 10 |
| 26 | -0971 | 9 |
| 28 | -0871 | 8 |
| 33 | -0771 | 7 |
| 36 | -0671 | 6 |
| 42 | -0571 | 5 |
| 51 | -0471 | 4 |
| 60 | 53290 -0371 | 3 |

MATERIAL
スティック : ポリ塩化ビニル
STICK : PVC

| | | | | | | | |
|---|---------------------------------------|--|----------------------------|------------------------------|---|------------------------|---------------------------|
| REVISED EC NO: J2005-2021 DRWN: JHOSOKAWA 2005/01/18 CHKD: KTOJO 2005/01/27 APPR: NUKITA 2005/01/27 | GENERAL TOLERANCES (UNLESS SPECIFIED) | | DIMENSION STYLE MM ONLY | | SCALE --- | DESIGN UNITS METRIC | THIRD ANGLE PROJECTION |
| | 10 UNDER | ±--- | DRAWN BY J.SASAMO | DATE 2004/8/20 | TITLE STICK PACKAGING FOR 53290-**60 -LEAD FREE- | | |
| | 10 OVER 30 UNDER | ±--- | CHECKED BY K.TOJO | DATE 2004/8/20 | | | |
| | 30 OVER | ±--- | APPROVED BY N.UKITA | DATE 2004/8/20 | MOLEX INCORPORATED | | |
| | ANGULAR | ±--- ° | MATERIAL NO. 53290-**71 | DOCUMENT NO. SD-53290-007 | | | |
| DRAFT WHERE APPLICABLE MUST REMAIN WITHIN DIMENSIONS | | THIS DRAWING CONTAINS INFORMATION THAT IS PROPRIETARY TO MOLEX INCORPORATED AND SHOULD NOT BE USED WITHOUT WRITTEN PERMISSION | | | | | |