

PLEASE CHECK WWW.MOLEX.COM FOR LATEST PART INFORMATION

Part Number: **0190090004**
Status: **Active**
Description: VibraKrimp™ Quick Disconnect Flag, Female, for 18-22 AWG Wire

Documents:

[Drawing \(PDF\)](#) [RoHS Certificate of Compliance \(PDF\)](#)
[Product Specification PS-19902-005 \(PDF\)](#)

Agency Certification

CSA LR18689
 UL E79133

General

Product Family Quick Disconnects
 Series 19009
 Comments Wire Grip
 Crimp Quality Equipment Yes
 Product Name VibraKrimp™
 Type Quick Disconnect

Physical

Barrel Type Closed
 Gender Female
 Glow-Wire Compliant No
 Insulation None
 Lock to Mating Part None
 Material - Metal Brass
 Orientation Flag
 Packaging Type Bag
 Polarized to Mating Part No
 Tab Thickness 0.81mm (.032")
 Tab Width 4.75mm (.187")
 Temperature Range - Operating Per Wire Specification
 Wire Insulation Diameter 3.43mm (.135")
 Wire Size AWG 18, 20, 22
 Wire Size mm² 0.35 - 0.80

Electrical

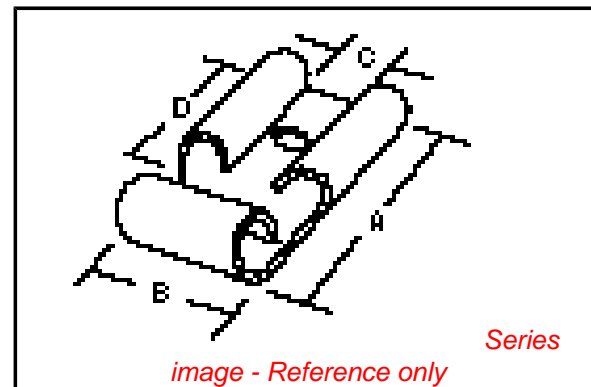
Voltage - Maximum Per Wire Specification

Material Info

Old Part Number AA-4170-032

Reference - Drawing Numbers

Product Specification PS-19902-005
 Sales Drawing CDFGS187



EU RoHS

ELV and RoHS Compliant
REACH SVHC Contains SVHC: No
Halogen-Free Status
Not Reviewed

China RoHS



Need more information on product environmental compliance?

Email productcompliance@molex.com
 For a multiple part number RoHS Certificate of Compliance, [click here](#)

Please visit the [Contact Us](#) section for any non-product compliance questions.

Search Parts in this Series

19009Series

Application Tooling | [FAQ](#)

Tooling specifications and manuals are found by selecting the products below. Crimp Height Specifications are then contained in the Application Tooling Specification document.

Global

| Description | Product # |
|-----------------|------------|
| Hand Crimp Tool | 0640034200 |

6

5

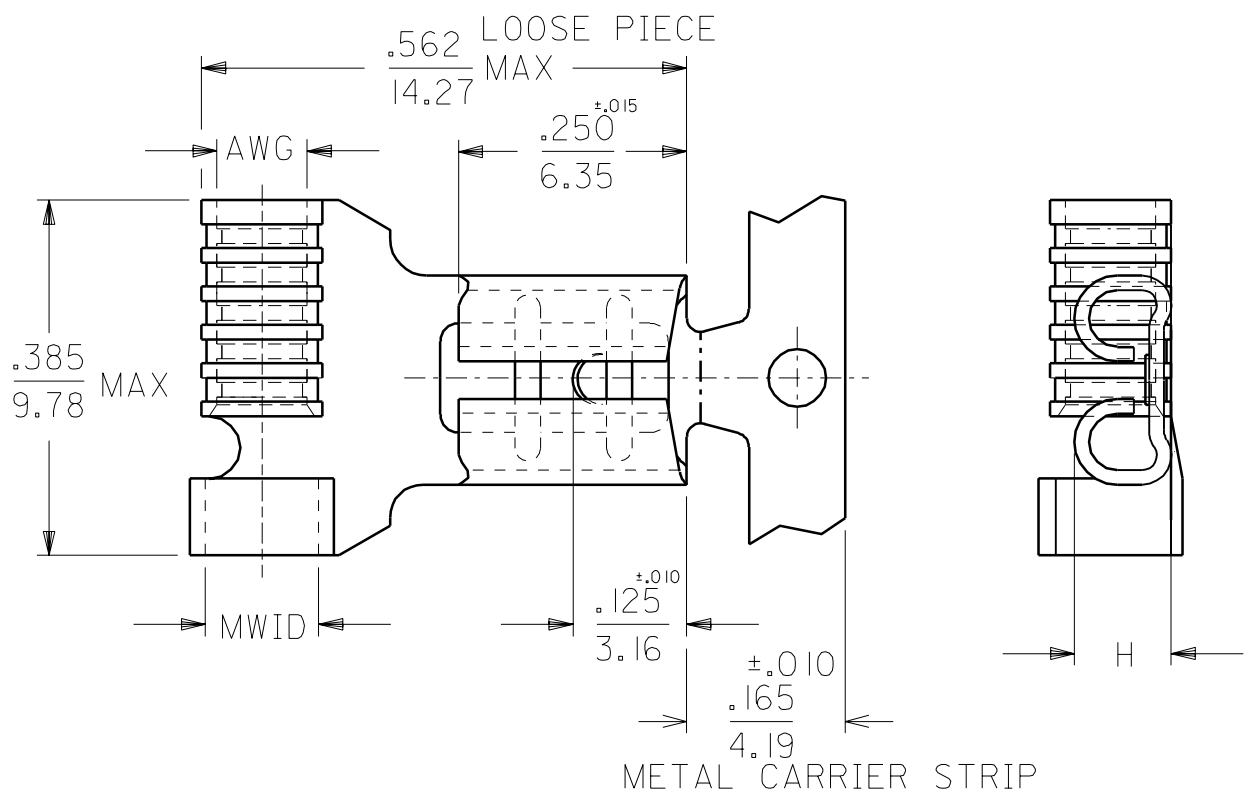
4

3

2

1

DRWG. NO. CUST. DRWG.



METAL CARRIER STRIP

| METAL STRIP PART NO. | LOOSE PART NO. | AWG | MWID | "H" MAX | TAB SIZE |
|----------------------|----------------|-------|-----------|-----------|-----------|
| AAZ-4170 | AA-4170 | 22-18 | .135/3.43 | .121/3.07 | .187X.020 |
| BBZ-4171 | BB-4171 | 16-14 | .145/3.68 | .121/3.07 | .187X.020 |
| AAZ-4170-032 | AA-4170-032 | 22-18 | .135/3.43 | .131/3.33 | .187X.032 |
| BBZ-4171-032 | BB-4171-032 | 16-14 | .145/3.68 | .131/3.33 | .187X.032 |

| | |
|------|-----------|
| | |
| | |
| LTR. | REVISIONS |

NOTES:
1. ALL DIMENSIONS = INCHES/MM

| | |
|---|-------------------|
| DIMENSIONS SHOWN (METRIC) INCH | |
| UNLESS OTHERWISE SPECIFIED TOLERANCES: ANGULAR ± 1/2° | |
| | INCH METRIC |
| 3 PLACE | ± .005 ± 0.13 |
| 2 PLACE | ± .01 ± 0.25 |
| 1 PLACE | ± --- ± --- |
| DRAFT WHERE APPLICABLE MUST REMAIN WITHIN DIMENSIONS | |
| DRWG. BY RM | CHK'D. BY JM |
| APP'D. BY FP | SCALE 5: 1 |

REVISE ONLY ON CAD SYSTEM

TITLE
FLAG NON-INSULATED WITH INSULATION SUPPORT .187X.020 & .032 TAB

| | | | |
|----------------------------------|--|--------------------|----------|
| | | SHEET NO. | DATE |
| PINELLAS PARK, FLA. 33781 U.S.A. | | | 03/06/90 |
| PART NO. | | DRWG. NO. | |
| | | CUST. DRWG. | |

| | | | |
|-----------------------|--|------|-----------|
| FILE NAME CDFGS187 | THIS DRAWING CONTAINS INFORMATION THAT IS PROPRIETARY TO MOLEX-ETC INC. AND SHOULD NOT BE USED WITHOUT WRITTEN PERMISSION. | DIV. | SIZE A |
|-----------------------|--|------|-----------|

6

5

4

3

2

1