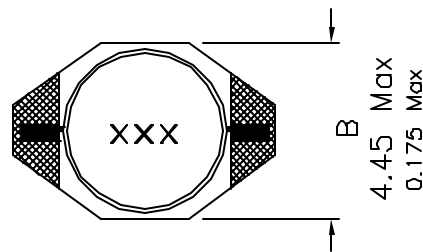
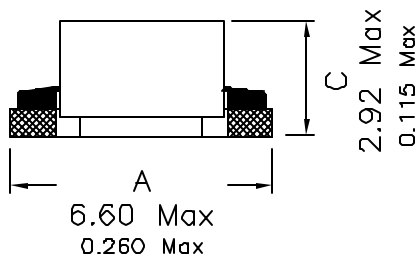


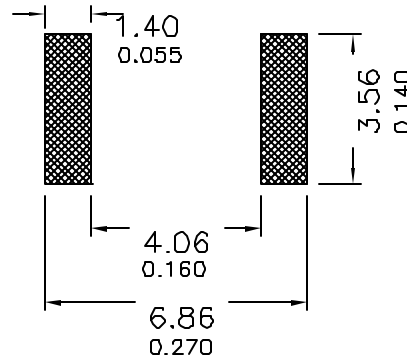
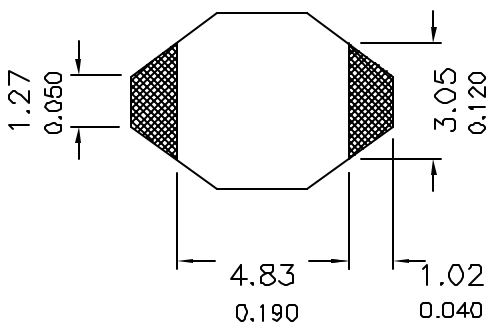
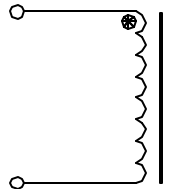
XF26175SH SERIES SHIELDED INDUCTORS

- * Shielded Version of the XF26175 Series
- * True Surface Mount Design
- * Low Cost, Extremely High Quality Product
- * Tape & Reel Packaging Standard, 2500 Pcs per 13" reel
- * High Inductance, High Power Ratings For Your Laptop, Palmtop, Point of Power Application
- * Custom Versions Available At No Extra Charge

Mechanical:



Schematic:



UNLESS OTHERWISE SPECIFIED
 TOLERANCES:
 .xxx ±0.30
 .xxx ±0.010
 Dimensions in MM/INCH

XF26175SH SERIES SHIELDED INDUCTORS

Part Number	INDUCTANCE ⁽¹⁾ μH ±20%	Q Min	Current max ⁽²⁾ (A)	SRF MHz Typ	DCR Ohms Max
XF26175SH-102	1.0	30 @200KHz	1.4	250	0.040
XF26175SH-152	1.5	30 @200KHz	0.93	125	0.045
XF26175SH-222	2.2	40 @200KHz	0.92	120	0.050
XF26175SH-332	3.3	40 @200KHz	0.75	120	0.055
XF26175SH-472	4.7	40 @200KHz	0.58	105	0.060
XF26175SH-682	6.8	40 @200KHz	0.58	50	0.065
XF26175SH-103	10	40 @200KHz	0.37	38	0.075
XF26175SH-153	15	40 @200KHz	0.31	33	0.090
XF26175SH-223	22	40 @100KHz	0.30	25	0.11
XF26175SH-333	33	40 @100KHz	0.30	20	0.19
XF26175SH-473	47	40 @100KHz	0.24	20	0.23
XF26175SH-683	68	40 @100KHz	0.17	15	0.29
XF26175SH-104	100	40 @100KHz	0.13	10	0.48
XF26175SH-154	150	40 @100KHz	0.10	9	0.59
XF26175SH-224	220	40 @100KHz	0.10	6	0.77
XF26175SH-334	330	40 @100KHz	0.07	5	1.40
XF26175SH-474	470	40 @100KHz	0.06	4	1.80
XF26175SH-684	680	40 @100KHz	0.055	3	2.20
XF26175SH-105	1000	40 @100KHz	0.045	2	3.40
XF26175SH-155	1500	50 @100KHz	0.035	2	4.20
XF26175SH-225	2200	50 @100KHz	0.028	2	8.50
XF26175SH-335	3300	50 @100KHz	0.024	1	11.0
XF26175SH-475	4700	50 @100KHz	0.021	1	13.9
XF26175SH-685	6800	50 @100KHz	0.019	1	25.0
XF26175SH-106	10000	50 @100KHz	0.017	0.8	32.8

(1) Inductance test @100KHz 0.1Vrms

(2) 30°C Temperature rise

Notes:

1. Solderability: Leads shall meet MIL-STD-202G, Method 208H for solderability.
2. Flammability: UL94V-0
3. ASTM oxygen index: > 28%
4. Insulation System: Class F 155°C. UL file E151556
5. Operating Temperature Range: All listed parameters are to be within tolerance from -40°C to +85°C
6. Storage Temperature Range: -55°C to +125°C
7. Aqueous wash compatible
8. SMD Lead Coplanarity: ±0.004*(0.102mm)
9. Electrical and mechanical specifications 100% tested
10. RoHS Compliant Component