

**PLEASE CHECK WWW.MOLEX.COM FOR LATEST PART INFORMATION**

**Part Number:** [5013951000](#)  
**Status:** **Active**  
**Description:** 3.30mm (.130") Pitch Crimp Terminal, Female, 18-20 AWG, Reel

**Documents:**

[Drawing \(PDF\)](#) [RoHS Certificate of Compliance \(PDF\)](#)

**General**

Product Family	Crimp Terminals
Series	<a href="#">501395</a>
Crimp Quality Equipment	Yes
Product Name	N/A

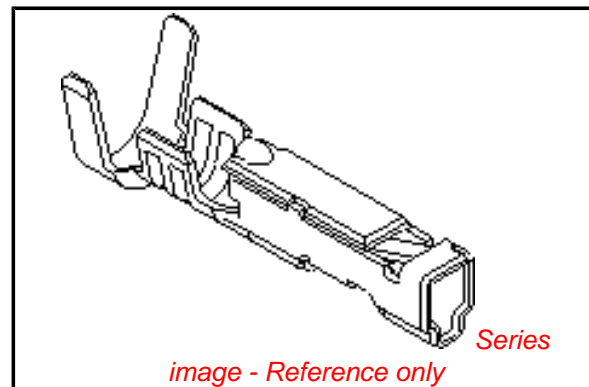
**Physical**

Gender	Female
Material - Metal	Copper Alloy
Material - Plating Mating	Tin
Material - Plating Termination	Tin
Packaging Type	Reel
Termination Interface: Style	Crimp or Compression
Wire Insulation Diameter	1.75-2.60mm (.069-.102")
Wire Size AWG	18, 20
Wire Size mm <sup>2</sup>	N/A

**Material Info**

**Reference - Drawing Numbers**

Product Specification	RPS-501328-002
Sales Drawing	SD-501395-001



**EU RoHS**

**ELV and RoHS  
Compliant**  
**REACH SVHC  
Contains SVHC: No  
Halogen-Free  
Status**

**China RoHS**



**Need more information on product  
environmental compliance?**

Email [productcompliance@molex.com](mailto:productcompliance@molex.com)  
 For a multiple part number RoHS Certificate of Compliance, [click here](#)

Please visit the [Contact Us](#) section for any non-product compliance questions.

**Search Parts in this Series**

[501395Series](#)

**Mates With**

[501329](#) Crimp Housing . [56265](#) Crimp Terminal

**Use With**

[501328](#) Inertia Lock Crimp Housing . [51284](#) Crimp Housing . [51347](#) Crimp Housing

10 9 8 7 6 5 4 3 2 1

F

E

D

C

B

A

F

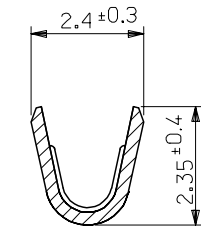
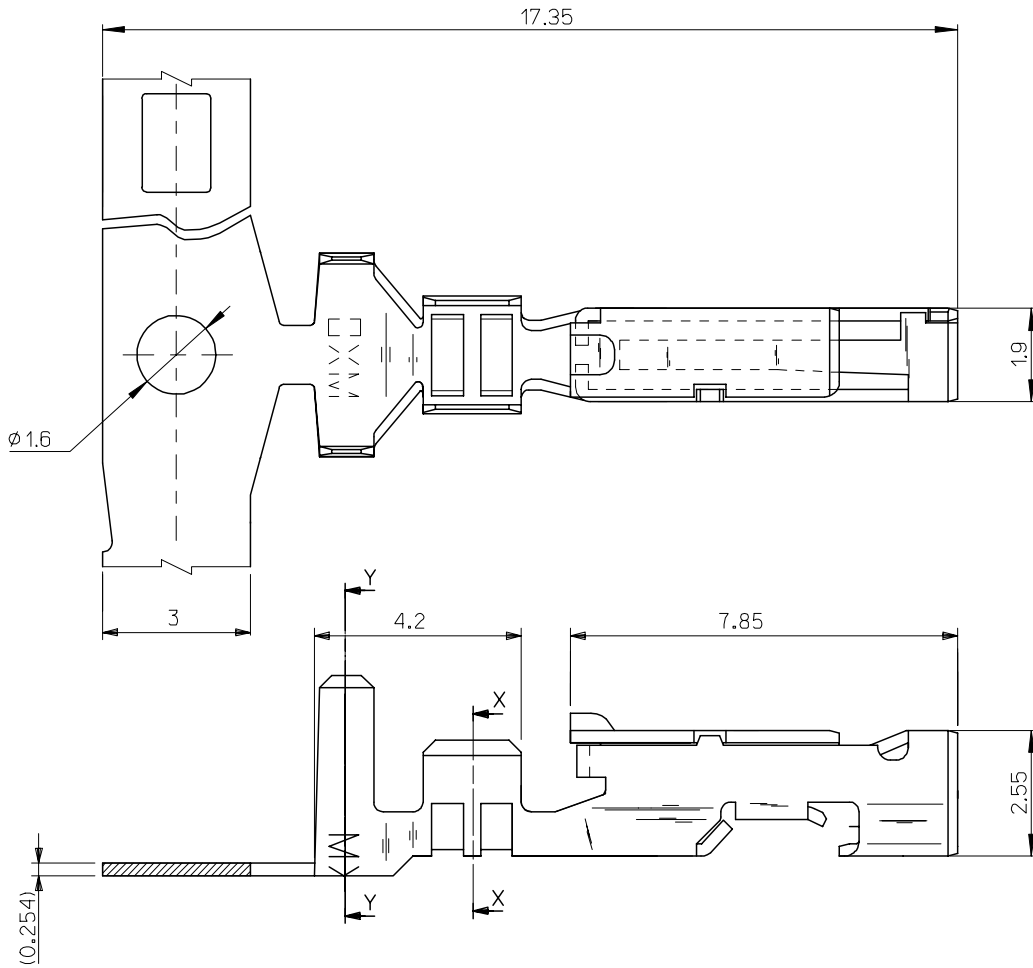
E

D

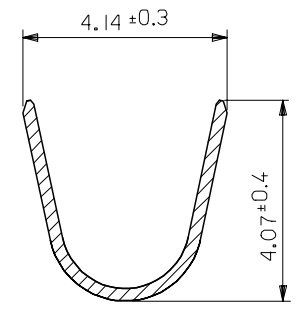
C

B

A



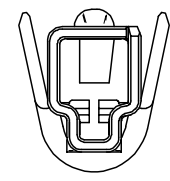
SECTION X-X



SECTION Y-Y

NOTES

1. 使用材料 : 銅合金、錫メッキ  
MATERIAL : PRE-TINNED COPPER ALLOY
2. 適合ハウジング : 501328-\*\*\*\*  
APPLICABLE HS'G : 51347-\*\*\*\*  
51284-\*\*\*\*
3. 適用電線サイズ : AWG#20-18  
心線外径 : 0.51-0.87  
被覆外径 : φ1.75-φ2.6



501395-1*00	501395-1100	バラ状 LOOSE
	501395-1000	連鎖状 CHAIN
MODEL NO.	MATERIAL NO.	FORM

RELEASED EC NO: J2005-2177 DRWN: TODA 2005/03/31 CHKD: K.ASAKAWA 2005/03/31 APPR: S.ICHIKAWA 2005/03/31	GENERAL TOLERANCES (UNLESS SPECIFIED)		DIMENSION STYLE	SCALE	DESIGN UNITS	THIRD ANGLE PROJECTION
			MM ONLY	10:1	METRIC	
	10 UNDER	±0.2	DRAWN BY	DATE	TITLE	
	10 OVER 30 UNDER	±0.25	T. ODA	'05/02/07	3.3 W/W,W/B CONN. REC. TERMINAL	
	30 OVER	±0.3	CHECKED BY	DATE	MOLEX INCORPORATED	
ANGULAR	±3 °	K. ASAKAWA	'05/02/07	MATERIAL NO.		
DRAFT WHERE APPLICABLE MUST REMAIN WITHIN DIMENSIONS		APPROVED BY	DATE	DOCUMENT NO.		
		S. ICHIKAWA	'05/02/07	SD-501395-001		
		MATERIAL NO.		SHEET NO.		
		SEE CHART		1 OF 1		
		THIS DRAWING CONTAINS INFORMATION THAT IS PROPRIETARY TO MOLEX INCORPORATED AND SHOULD NOT BE USED WITHOUT WRITTEN PERMISSION				