



Features

- Single and dual section control
- Metal shaft styles
- Carbon element
- Center detent option
- Wide range of resistance tapers
- Plain or knurled shaft options



PDB18 Series - 17 mm Rotary Potentiometer

Electrical Characteristics

Taper..... Linear, audio
 Standard Resistance Range
 1 K ohms to 1 M ohms
 Standard Resistance Tolerance..... ±20 %
 Residual Resistance 1 % max.

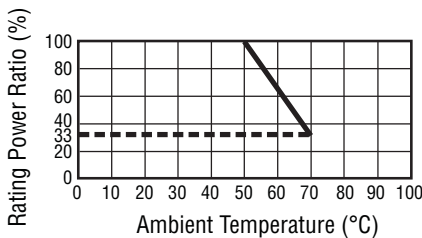
Environmental Characteristics

Operating Temperature..... -10 °C to +50 °C
 Power Rating
 Linear 0.2 watt
 Dual Section..... 0.125 watt
 Audio 0.1 watt
 Dual Section..... 0.06 watt
 Maximum Operating Voltage
 Linear 200 V
 Audio 150 V
 Sliding Noise 47 mV max.

Mechanical Characteristics

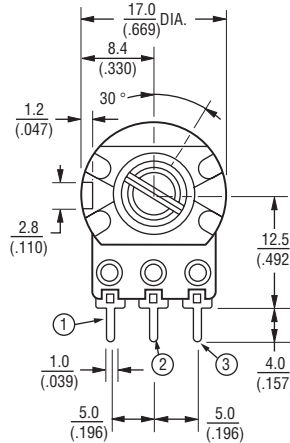
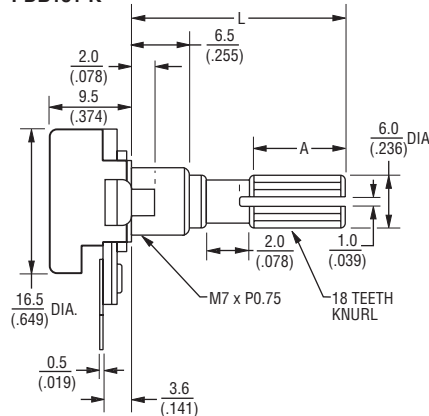
Mechanical Angle 300 ° ±5 °
 Rotational Torque 10 to 150 gf-cm
 Detent Torque 150 to 500 g-cm
 Stop Strength 5 kg-cm min.
 Rotational Life 15,000 cycles
 Soldering Condition
 260 °C max. within 3 seconds
 Hardware One flat washer and
 mounting nut supplied per
 potentiometer with bushing

Derating Curve



Product Dimensions

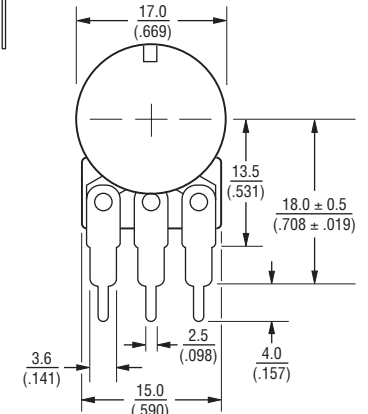
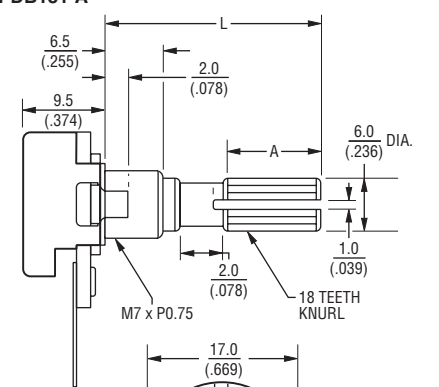
PDB181-K



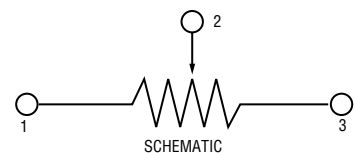
SHAFT SHOWN IN CCW POSITION

DIMENSIONS: $\frac{\text{MM}}{\text{(INCHES)}}$

PDB181-A



SHAFT SHOWN IN CCW POSITION



*RoHS Directive 2002/95/EC Jan 27 2003 including Annex
 Specifications are subject to change without notice.
 Customers should verify actual device performance in their specific applications.

Additional Features

- Linear, audio and reverse audio taper options
- RoHS compliant*

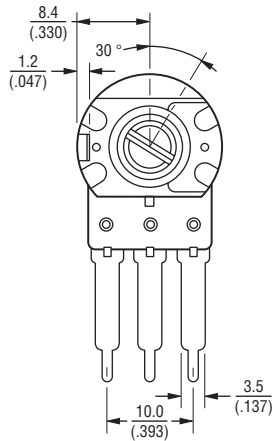
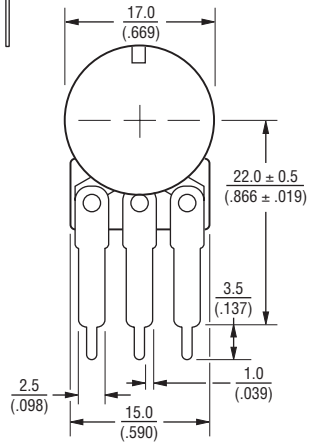
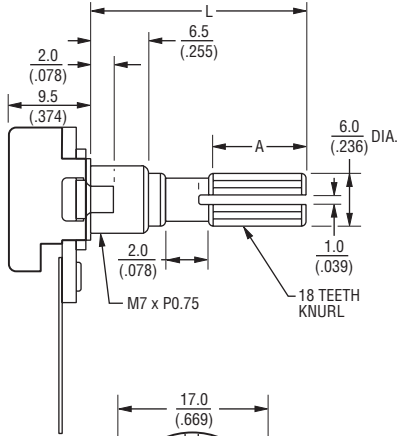
Applications

- Audio/TV sets
- Car radio
- Amplifiers/mixers/drum machines/synthesizers
- PCs/monitors
- Appliances

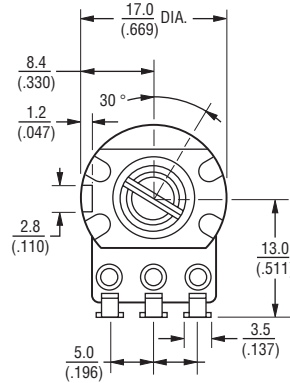
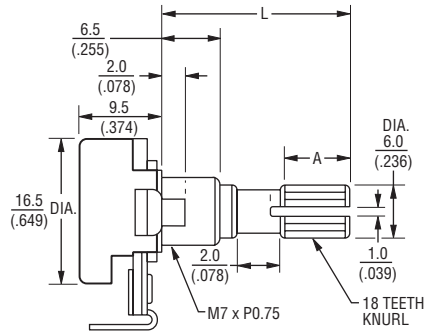
PDB18 Series - 17 mm Rotary Potentiometer

BOURNS®

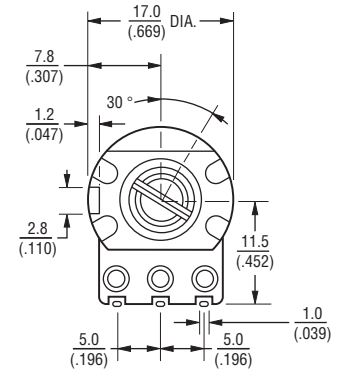
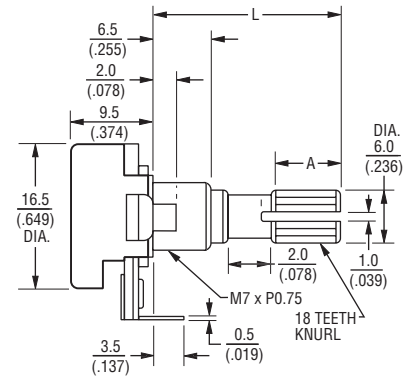
Product Dimensions

PDB181-B

SHAFT SHOWN IN CCW POSITION

PDB181-E

SHAFT SHOWN IN CCW POSITION

DIMENSIONS: $\frac{\text{MM}}{\text{(INCHES)}}$ **PDB181-D**

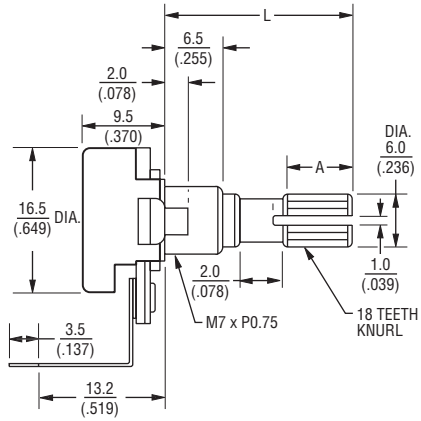
SHAFT SHOWN IN CCW POSITION

PDB18 Series - 17 mm Rotary Potentiometer

BOURNS®

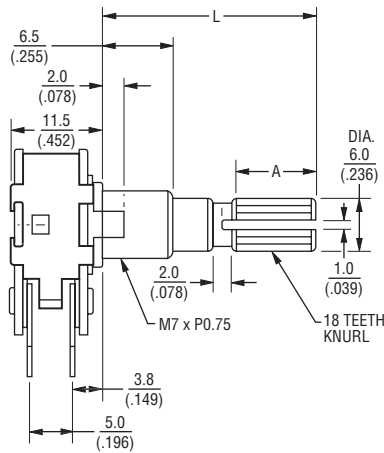
Product Dimensions

PDB181-P

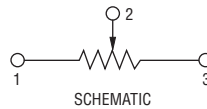


SHAFT SHOWN IN CCW POSITION

PDB182-K Dual Gang

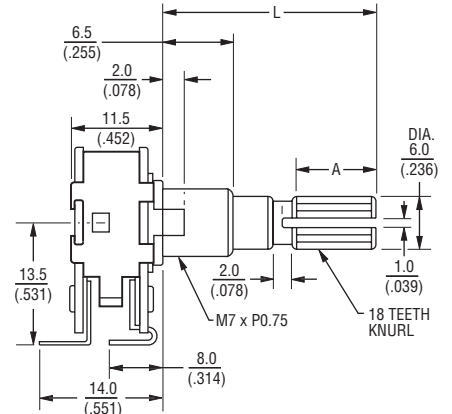


SHAFT SHOWN IN CCW POSITION



DIMENSIONS: $\frac{\text{MM}}{(\text{INCHES})}$

PDB182-E Dual Gang



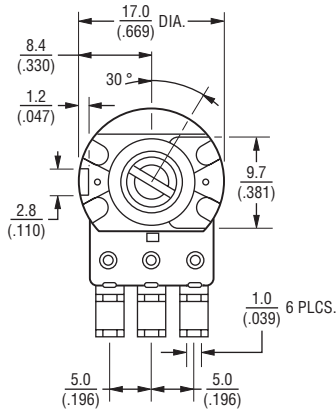
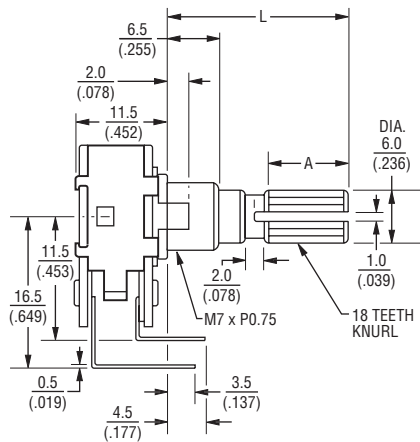
SHAFT SHOWN IN CCW POSITION

PDB18 Series - 17 mm Rotary Potentiometer

BOURNS®

Product Dimensions

PDB182-D
Dual Gang



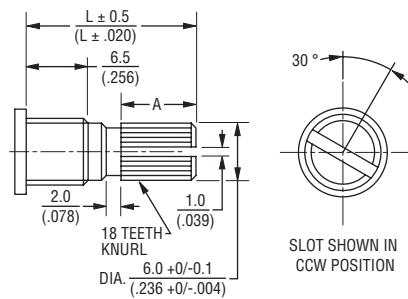
SHAFT SHOWN IN CCW POSITION

DIMENSIONS: $\frac{\text{MM}}{\text{(INCHES)}}$

Shaft Styles

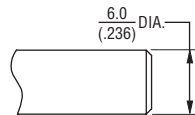
K Type

L	15 (.591)	18 (.709)	20 (.787)	25 (.984)	30 (1.181)
A	6.5 (.256)	6.5 (.256)	11.5 (.453)	14 (.551)	19 (.748)



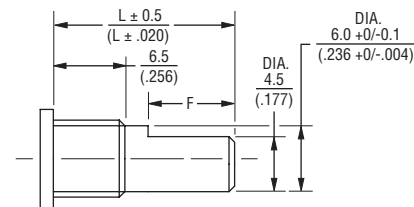
P Type

L	20 (.787)	25 (.984)	30 (1.181)
---	--------------	--------------	---------------



F Type

L	15 (.591)	20 (.787)	25 (.984)	30 (1.181)	35 (1.378)
F	7 (.276)	12 (.472)	12 (.472)	12 (.472)	12 (.472)



How To Order

PDB18 1 - K 4 25 K - 103 A1

Model _____

Number of Sections _____
 • 1 = Single Section
 • 2 = Dual Section

Terminal Configuration (Pin Layout) _____
 (see individual drawings)
 • K = PC Pins vertical/Down Facing (12.5 mm)
 • A = PC Pins vertical/Down Facing (18.0 mm)
 • B = PC Pins vertical/Down Facing (23.0 mm)
 • E = Solder Lugs Rear Facing
 • P = PC Pins Rear Facing
 • D = PC Pins Front Facing

Detent Option _____
 • 2 = Center Detent
 • 4 = No Detents
 • 5 = 11 Detents
 • 6 = 21 Detents
 • 7 = 31 Detents
 • 8 = 41 Detents

Standard Shaft Length _____
 • 15 = 15 mm
 • 18 = 18 mm
 • 20 = 20 mm
 • 25 = 25 mm
 • 30 = 30 mm

Shaft Style _____
 • F = Metal Flatted Shaft
 • K = Metal Knurled Type Shaft
 18 Toothed Serration Type
 • P = Metal Plain Shaft

Resistance Code (See Table) _____

Resistance Taper (See Taper Charts) _____
 Taper Series followed by Curve Number

Other styles available.

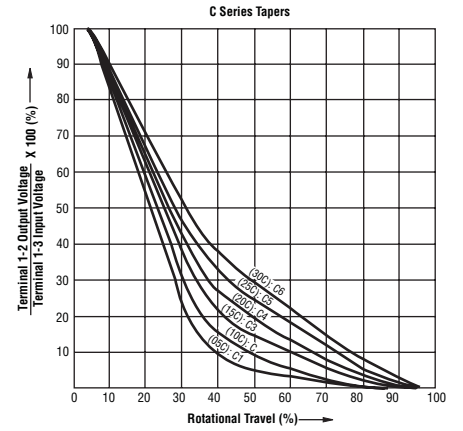
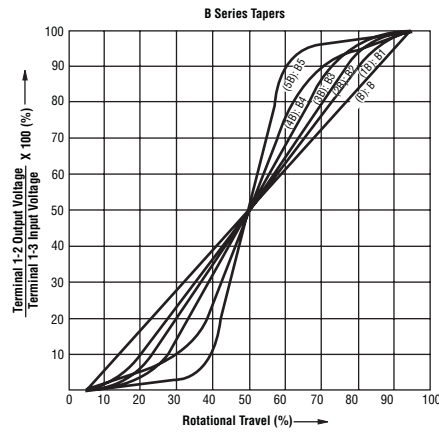
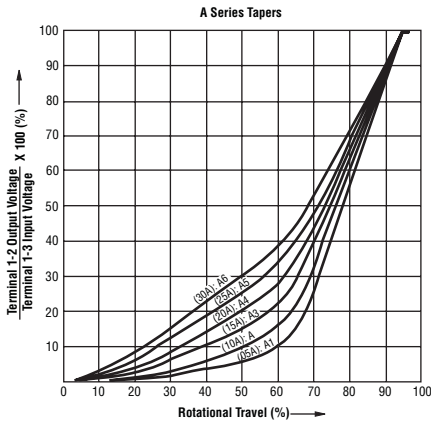
Standard Resistance Table

Resistance (Ohms)	Resistance Code
1,000	102
2,000	202
5,000	502
10,000	103
20,000	203
50,000	503
100,000	104
200,000	204
500,000	504
1,000,000	105

PDB18 Series - 17 mm Rotary Potentiometer

BOURNS®

Tapers



REV. 02/10

Specifications are subject to change without notice.
Customers should verify actual device performance in their specific applications.