



Features


- ◇ For RF SAW filter
- ◇ Single-ended operation
- ◇ Ceramic Surface Mount Package
- ◇ Small size
- ◇ No matching required for operation at 50Ω
- ◇ RoHS compliant (2002/95/EC), Pb-free

Specifications

Parameter		Unit	Minimum	Typical	Maximum
Center Frequency		MHz	-	1900	-
Insertion Loss(1880~1920MHz)		dB	-	1.9	3
Passband Variation(1880~1920MHz)		dB	-	0.5	1.3
Group Delay Variation(1880~1920MHz)		nsec	-	9	40
Input/output VSWR(1880~1920MHz)		-	-	1.4/1.5	2
Ultimate Rejection	0.3~960MHz	dB	30	36	-
	960~1805MHz	dB	30	34	-
	1805~1830MHz	dB	30	33	-
	1830~1850MHz	dB	30	35	-
	1950~2010MHz	dB	15	28	-
	2010~2025MHz	dB	48	54	-
	2110~2170MHz	dB	35	45	-
	2300~2400MHz	dB	35	40	-
2400~3000MHz		dB	28	32	-
Operating Temperature Range		°C	-40	-	+85
Storage Temperature Range		°C	-45	-	+105
DC Voltage		V	0		
Input Power		dBm	-	-	15
ESD Class		-	1A		
Package Size		SMD3.0*3.0			

Notes:

1. All specifications are based on the test circuit shown;
2. In production, all specifications are measured by Agilent Network analyzer and full 2 port calibration at room temperature;
3. Electrical margin has been built into the design to account for the variations due to temperature drift and manufacturing tolerances;
4. This is the optimum impedance in order to achieve the performance show.

	SIPAT Co., Ltd. (CETC No.26 Research Institute) #14 Nanping Huayuan Road, Chongqing, China, 400060	Part Number	LBT190001	
		Rev. Date	2010-03-03	
		Ver.	1.0	Page

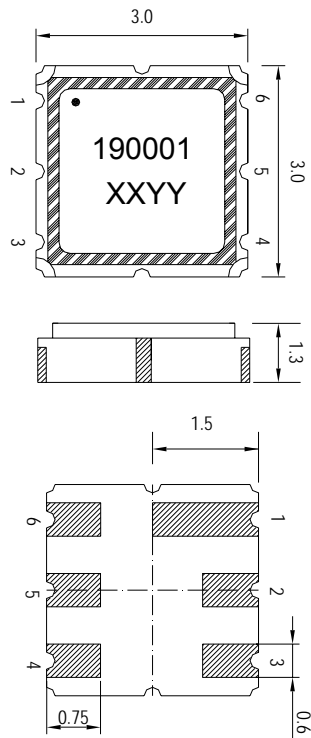
Matching Configuration



Source/Load Impedance=50 ohm

Notes - Component values may change depending on board layout.

Package Dimension



Pad Configuration:

Input 2
Output 5
Ground All Others

Marking Configuration:

- 1) •: Pad Number 1 Index
- 2) 190001: Part Number
- 3) XXYY: Date(Year/month)

Package: SMD3.0*3.0

Unit: mm

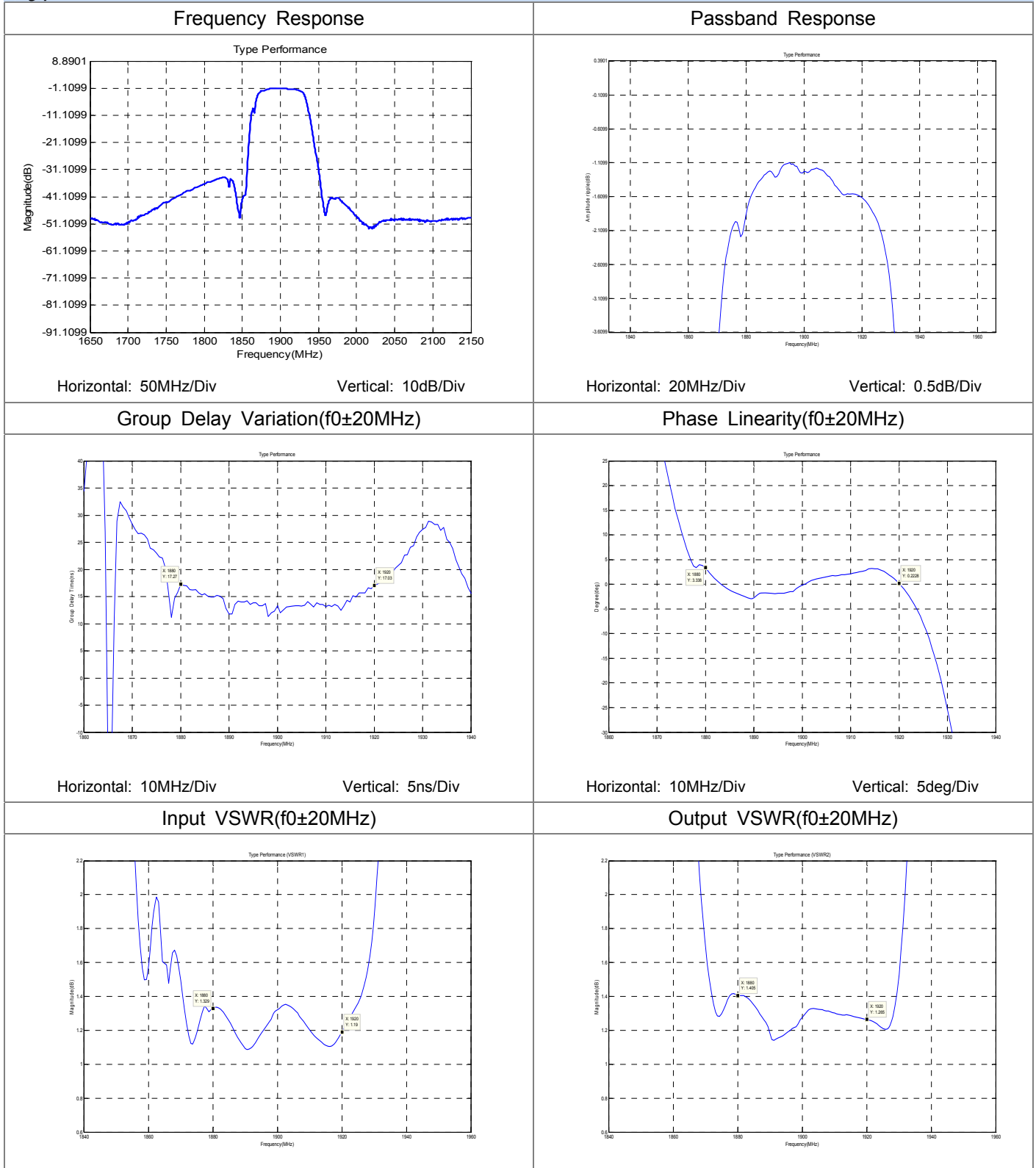


SIPAT Co., Ltd.
(CETC No.26 Research Institute)
#14 Nanping Huayuan Road,
Chongqing, China, 400060

Part Number	LBT190001	
Rev. Date	2010-03-03	
Ver.	1.0	Page 2/3



Typical Performance



SIPAT Co., Ltd.
(CETC No.26 Research Institute)
#14 Nanping Huayuan Road,
Chongqing, China, 400060

Part Number	LBT190001	
Rev. Date	2010-03-03	
Ver.	1.0	Page 3/3