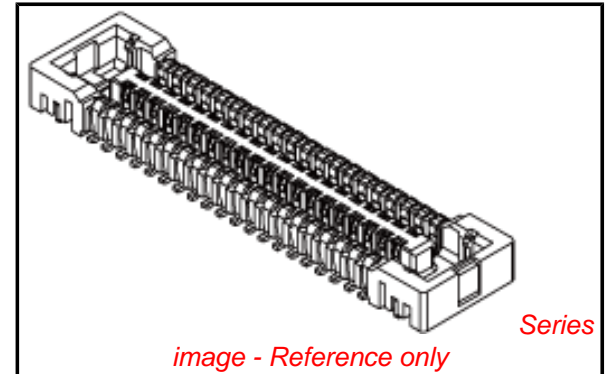


**PLEASE CHECK WWW.MOLEX.COM FOR LATEST PART INFORMATION**

**Part Number:** **5024264030**  
**Status:** **Active**  
**Overview:** [slimstack\\_mm016\\_pitch](#)  
**Description:** 0.40mm (.016") Pitch SlimStack™ Board-to-Board Receptacle, SMT, Dual Row, Vertical, 1.00mm (.039") Stacking Height, With Solder Tabs, with Vacuum Tape, 40 Circuits

**Documents:**

[3D Model](#) [Product Specification PS-502426-001 \(PDF\)](#)  
[Drawing \(PDF\)](#) [RoHS Certificate of Compliance \(PDF\)](#)



**General**

|                |                                       |
|----------------|---------------------------------------|
| Product Family | PCB Receptacles                       |
| Series         | <a href="#">502426</a>                |
| Application    | Board-to-Board                        |
| Overview       | <a href="#">slimstack_mm016_pitch</a> |
| Product Name   | SlimStack™                            |

**Physical**

|                                |                       |
|--------------------------------|-----------------------|
| Circuits (Loaded)              | 40                    |
| Color - Resin                  | Black                 |
| Durability (mating cycles max) | 30                    |
| Glow-Wire Compliant            | No                    |
| Lock to Mating Part            | Yes                   |
| Mated Height (in)              | 0.039 In              |
| Mated Height (mm)              | 1.00 mm               |
| Material - Metal               | Phosphor Bronze       |
| Material - Plating Mating      | Gold                  |
| Material - Plating Termination | Gold                  |
| Number of Rows                 | 2                     |
| Orientation                    | Vertical              |
| PCB Locator                    | No                    |
| PCB Retention                  | Yes                   |
| Packaging Type                 | Embossed Tape on Reel |
| Pitch - Mating Interface (in)  | 0.016 In              |
| Pitch - Mating Interface (mm)  | 0.40 mm               |
| Polarized to Mating Part       | No                    |
| Polarized to PCB               | No                    |
| Stackable                      | No                    |
| Temperature Range - Operating  | -25°C to +85°C        |
| Termination Interface: Style   | Surface Mount         |

**Electrical**

|                               |           |
|-------------------------------|-----------|
| Current - Maximum per Contact | 0.3A      |
| Voltage - Maximum             | 50V AC/DC |

**Material Info**

**Reference - Drawing Numbers**

|                         |   |
|-------------------------|---|
| Packaging Specification | SPK-502426-001  |
| Product Specification   | PS-502426-001, RPS-502426-002, RPS-502426-004, RPS-502426-010, RPS-502426-011, RPS-502426-013, RPS-502426-014, RPS-502426-015, RPS-502426-017, RPS-502426-019 |
| Sales Drawing           | SD-502426-003, SD-502426-004  |

**EU RoHS**

**ELV and RoHS Compliant**  
**REACH SVHC**  
 Not Reviewed  
**Halogen-Free Status**  
 Not Reviewed

**China RoHS**



**Need more information on product environmental compliance?**

Email [productcompliance@molex.com](mailto:productcompliance@molex.com)  
 For a multiple part number RoHS Certificate of Compliance, [click here](#)

Please visit the [Contact Us](#) section for any non-product compliance questions.

**Search Parts in this Series**

[502426Series](#)

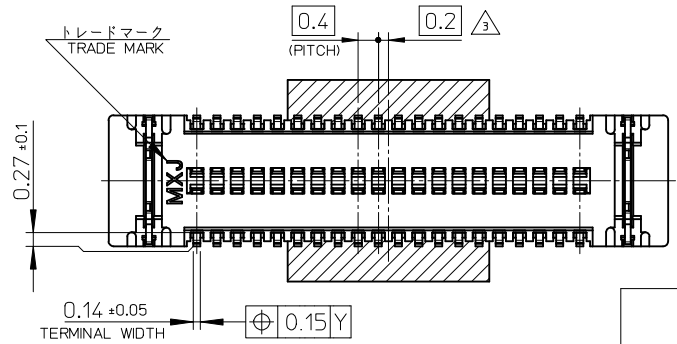
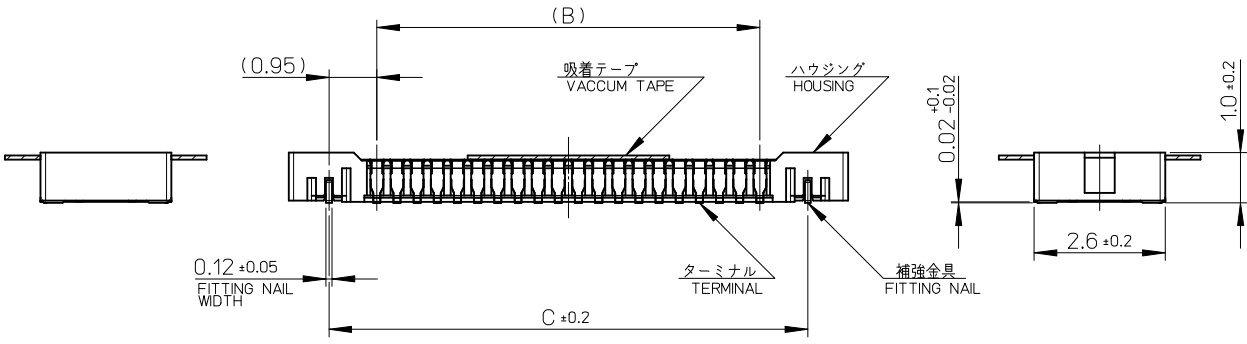
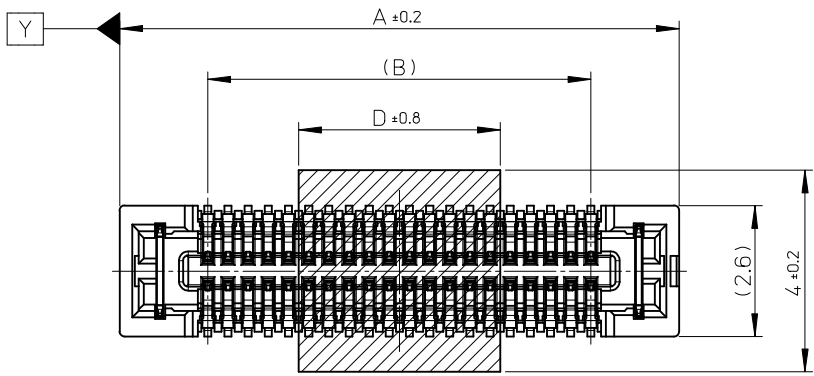
**Mates With**

[502430 PCB Header](#)

This document was generated on 05/25/2010

**PLEASE CHECK [WWW.MOLEX.COM](http://WWW.MOLEX.COM) FOR LATEST PART INFORMATION**

10 9 8 7 6 5 4 3 2 1



|      |      |      |      |                      |      |
|------|------|------|------|----------------------|------|
| 10.0 | 19.5 | 17.6 | 21.1 | 502426-9030          | 90   |
|      | 17.5 | 15.6 | 19.1 | 502426-8030          | 80   |
|      | 15.5 | 13.6 | 17.1 | 502426-7030          | 70   |
| 7.0  | 13.5 | 11.6 | 15.1 | 502426-6030          | 60   |
|      | 11.5 | 9.6  | 13.1 | 502426-5030          | 50   |
| 4.0  | 9.5  | 7.6  | 11.1 | 502426-4030          | 40   |
|      | 7.9  | 6.0  | 9.5  | 502426-3230          | 32   |
| 3.4  | 6.7  | 4.8  | 8.3  | 502426-2630          | 26   |
|      | 6.3  | 4.4  | 7.9  | 502426-2430          | 24   |
|      | 5.9  | 4.0  | 7.5  | 502426-2230          | 22   |
| 2.4  | 5.5  | 3.6  | 7.1  | 502426-2030          | 20   |
| D    | 4.3  | 2.4  | 5.9  | 502426-1430          | 14   |
|      |      |      |      | EMBOSSD TAPE PACKAGE | CKT. |
|      |      |      |      | ORDER No.            |      |

CONNECTOR SERIES No. : 502426-\*\*39

|  |  |                        |                                   |                       |   |  |                               |                     |  |
|--|--|------------------------|-----------------------------------|-----------------------|---|--|-------------------------------|---------------------|--|
| <b>REVISED</b><br>EC NO: J2009-0889<br>DRWN: YA0YAGI 2009/06/15<br>CHKD: THARUYAMA 2009/06/15<br>APPR: NUKITA 2009/06/15 | GENERAL TOLERANCES (UNLESS SPECIFIED)                |                        | DIMENSION STYLE<br><b>MM ONLY</b> |                       | SCALE<br><b>10:1</b>  | DESIGN UNITS<br><b>METRIC</b>  | THIRD ANGLE PROJECTION        |                     |  |
|  | 10 UNDER ± ---                                       | 10 OVER 30 UNDER ± --- | 30 OVER ± ---                     | DRAWN BY<br>RTAKEUCHI | DATE<br>2007/12/26  | TITLE<br><b>0.4 B-TO-B CONN. HGT=1.0<br/>                 W=2.6 REC ASSY WITH TAPE</b> |                               |                     |  |
|  | ANGULAR ± --- °                                      |                        |                                   | CHECKED BY<br>MSASAO  | DATE<br>2007/12/26  | MOLEX INCORPORATED   |                               |                     |  |
|  | DRAFT WHERE APPLICABLE MUST REMAIN WITHIN DIMENSIONS |                        |                                   | APPROVED BY<br>MSASAO | DATE<br>2007/12/26  | MATERIAL NO.<br>SEE TABLE  | DOCUMENT NO.<br>SD-502426-003 | SHEET NO.<br>1 OF 2 |  |
|  |  |                        |                                   | SIZE<br>A3            | THIS DRAWING CONTAINS INFORMATION THAT IS PROPRIETARY TO MOLEX INCORPORATED AND SHOULD NOT BE USED WITHOUT WRITTEN PERMISSION |  |                               |                     |  |

注記 NOTES

1. 使用材料 MATERIAL

ハウジング: 液晶ポリマー ( LCP ) ガラス充填 UL94V-0 ( 黒 )  
HOUSING: LIQUID CRYSTAL POLYMER (GLASS FILLED) UL94V-0 (COLOR: BLACK)

ターミナル: りん青銅 (t=0.1)  
TERMINAL: PHOSPHOR BRONZE (t=0.1)

金具: りん青銅 (t=0.12)  
FITTING NAIL: PHOSPHOR BRONZE (t=0.12)

吸着テープ: ポリイミド  
VACUUM TAPE: POLYIMIDE

2. メッキ仕様 PLATING

ターミナル TERMINAL

金メッキ 0.1 マイクロメートル以上  
GOLD 0.1MICROMETER MINIMUM

下地メッキ: ニッケルメッキ 1.0 マイクロメートル以上  
UNDER PLATING: NICKEL 1.0MICROMETER MINIMUM

※コンタクト部とテール部はニッケルメッキによって分断されている金メッキです。  
DIVIDE INTO PARTS THE GOLD PLATING OF THE CONTACT AND THE TAIL PART BY THE NICKEL PLATING.

※封孔処理品

金具 FITTING NAIL

フラッシュ金メッキ  
FLASH Au PLATING

下地メッキ: ニッケルメッキ 1.0 マイクロメートル以上  
UNDER PLATING: NICKEL 1.0MICROMETER MINIMUM

③ (全極数 / 2) = 偶数の場合に適用。  
APPLY FOR (CIRCUIT/2) = EVEN.

4. 嵌合相手: 502430 シリーズ  
MATE WITH: 502430 SERIES.

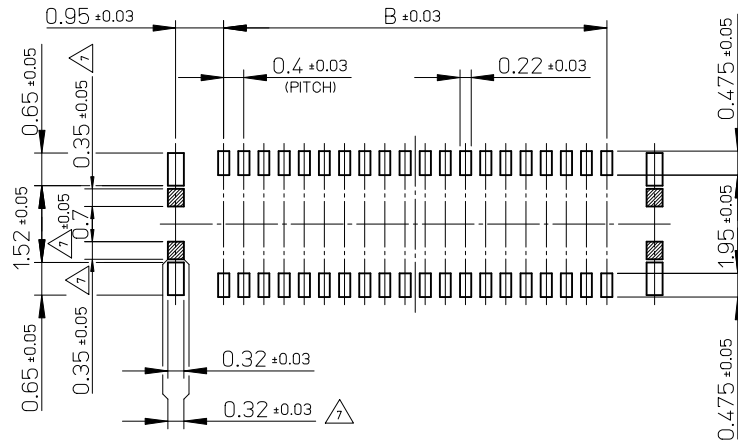
5. テール平坦度は、0.08 以下

テール及び金具の平坦度は、0.1 以下  
TAIL COPLANARITY TO BE 0.08 MAXIMUM.  
TAIL AND FITTING NAIL COPLANARITY TO BE 0.1 MAXIMUM.

6. ELV 及び RoHS 適合品  
ELV AND RoHS COMPLIANT.

⑦ 斜線部はパターン書込み禁止範囲と半田禁止範囲を示す。

ただし、斜線部に補強金具と同一配線を配置する場合はレジストを施し、この部分に半田は無きこと。  
NO PATTERN CIRCUIT AND NO SOLDER ALLOWED IN THE SHADED AREA.  
HOWEVER, IF NEEDED TO ADD A TRACE OF THE SAME CIRCUIT, PUT THE SOLDER-RESIST, YET NO SOLDER ALLOWED IN THE AREA.

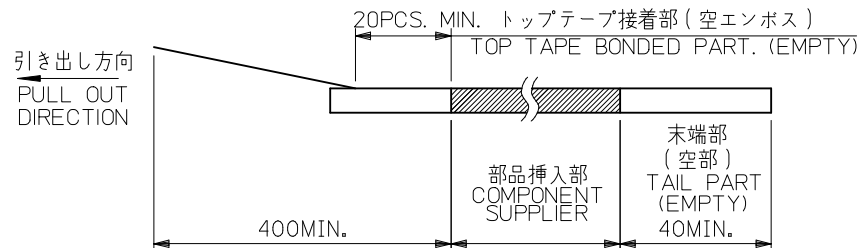
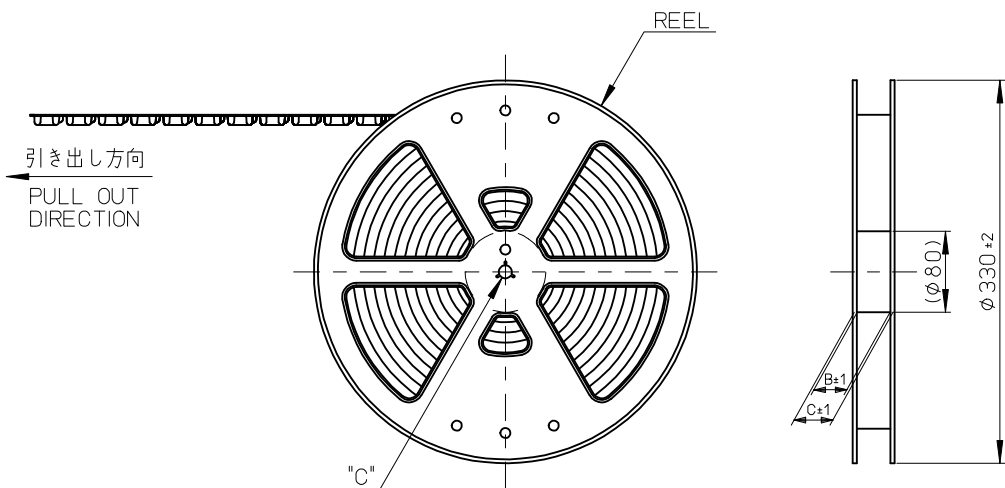


P.C. BOARD PATTERN LAYOUT  
(REFERENCE)

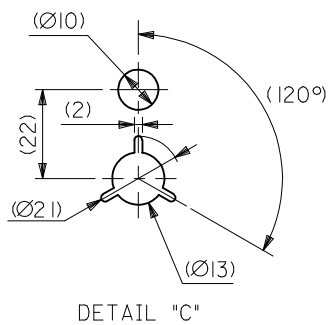
|   |  |                             |   |                     |   |                        |
|---|--|-----------------------------|---|---------------------|---|------------------------|
| REVISED<br>EC NO: J2009-0889<br>DRWN: YA0YAGI 2009/06/15<br>CHKD: THARUYAMA 2009/06/15<br>APPR: NUKITA 2009/06/15 | GENERAL TOLERANCES (UNLESS SPECIFIED)                |                             | DIMENSION STYLE<br>MM ONLY  | SCALE<br>10:1       | DESIGN UNITS<br>METRIC  | THIRD ANGLE PROJECTION |
|   | 10 UNDER   | ±---                        | DRAWN BY<br>RTAKEUCHI   | DATE<br>2007/12/26  | TITLE<br>0.4 B-TO-B CONN. HGT=1.0<br>W=2.6 REC ASSY WITH TAPE |                        |
|   | 10 OVER 30 UNDER                                     | ±---                        | CHECKED BY<br>MSASAO  | DATE<br>2007/12/26  | MOLEX INCORPORATED  |                        |
|   | 30 OVER  | ±---                        | APPROVED BY<br>MSASAO   | DATE<br>2007/12/26  |   |                        |
| ANGULAR   | ±---°  | MATERIAL NO.<br>SEE SHEET 1 | DOCUMENT NO.<br>SD-502426-003   | SHEET NO.<br>2 OF 2 |   |                        |
|   | DRAFT WHERE APPLICABLE MUST REMAIN WITHIN DIMENSIONS | SIZE<br>A3                  | THIS DRAWING CONTAINS INFORMATION THAT IS PROPRIETARY TO MOLEX INCORPORATED AND SHOULD NOT BE USED WITHOUT WRITTEN PERMISSION |                     |   |                        |

注記 NOTES

- 製品詳細寸法については製品単体図面を参照下さい。  
RE DETAILED DIMENSION, SEE PRODUCT DRAWING.
- 梱包数量: 3000 個/リール  
NUMBER OF CONNECTORS: 3000PCS/REEL
- リードテープ長さ LEAD TAPE LENGTH

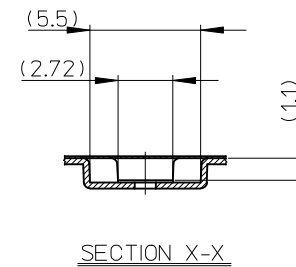
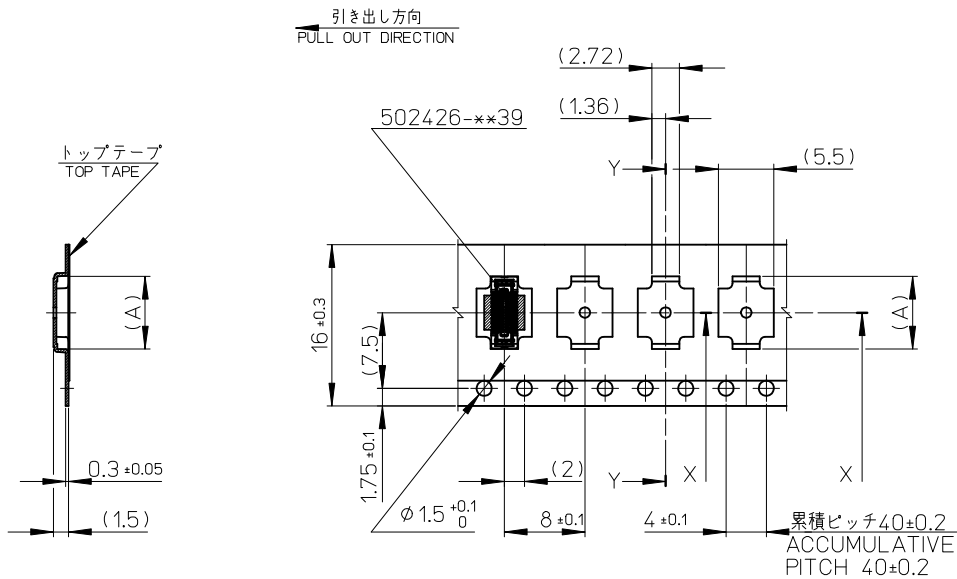


- 材料 MATERIAL  
キャリアテープ (CARRIER TAPE): ポリスチレン (POLYSTYRENE)  
トップテープ (TOP TAPE): PET, PE, PEF  
リール (REEL): ポリスチレン (PS) <リサイクル材を含む>  
POLYSTYRENE (PS) <RECYCLE MATERIAL CONTAINED>
- ELV 及び RoHS適合品  
ELV AND RoHS COMPLIANT



DETAIL "C"

|   |                                       |  |                            |   |   |                               |                          |
|---|---------------------------------------|--|----------------------------|---|---|-------------------------------|--------------------------|
| REVISED<br>EC NO: J2009-0889<br>DRWN: YAOGI 2009/06/15<br>CHKD: THARUYAMA 2009/06/15<br>APPR: NUKITA 2009/06/15 | GENERAL TOLERANCES (UNLESS SPECIFIED) |  | DIMENSION STYLE<br>MM ONLY |   | SCALE<br>---  | DESIGN UNITS<br>METRIC        | MODEL NO.   502426-***30 |
|   | 10 UNDER                              | ± ---  | DRAWN BY<br>RTAKEUCHI      | DATE<br>2007/12/26  | TITLE<br>0.4 B-TO-B CONN. HGT=1.0<br>REC ASSY WITH TAPE<br>EMBSTP PKG |                               |                          |
|   | 10 OVER 30 UNDER                      | ± ---  | CHECKED BY<br>MSASAO       | DATE<br>2007/12/26  | MOLEX INCORPORATED  |                               |                          |
|   | 30 OVER                               | ± ---  | APPROVED BY<br>MSASAO      | DATE<br>2007/12/26  | MATERIAL NO.<br>SEE TABLE   | DOCUMENT NO.<br>SD-502426-004 | SHEET NO.<br>1 OF 4      |
| REV   | DESCRIPTION                           | ANGULAR ± --- °                                      |                            | THIS DRAWING CONTAINS INFORMATION THAT IS PROPRIETARY TO MOLEX INCORPORATED AND SHOULD NOT BE USED WITHOUT WRITTEN PERMISSION |   |                               |                          |
|   |                                       | DRAFT WHERE APPLICABLE MUST REMAIN WITHIN DIMENSIONS |                            |   |   |                               |                          |

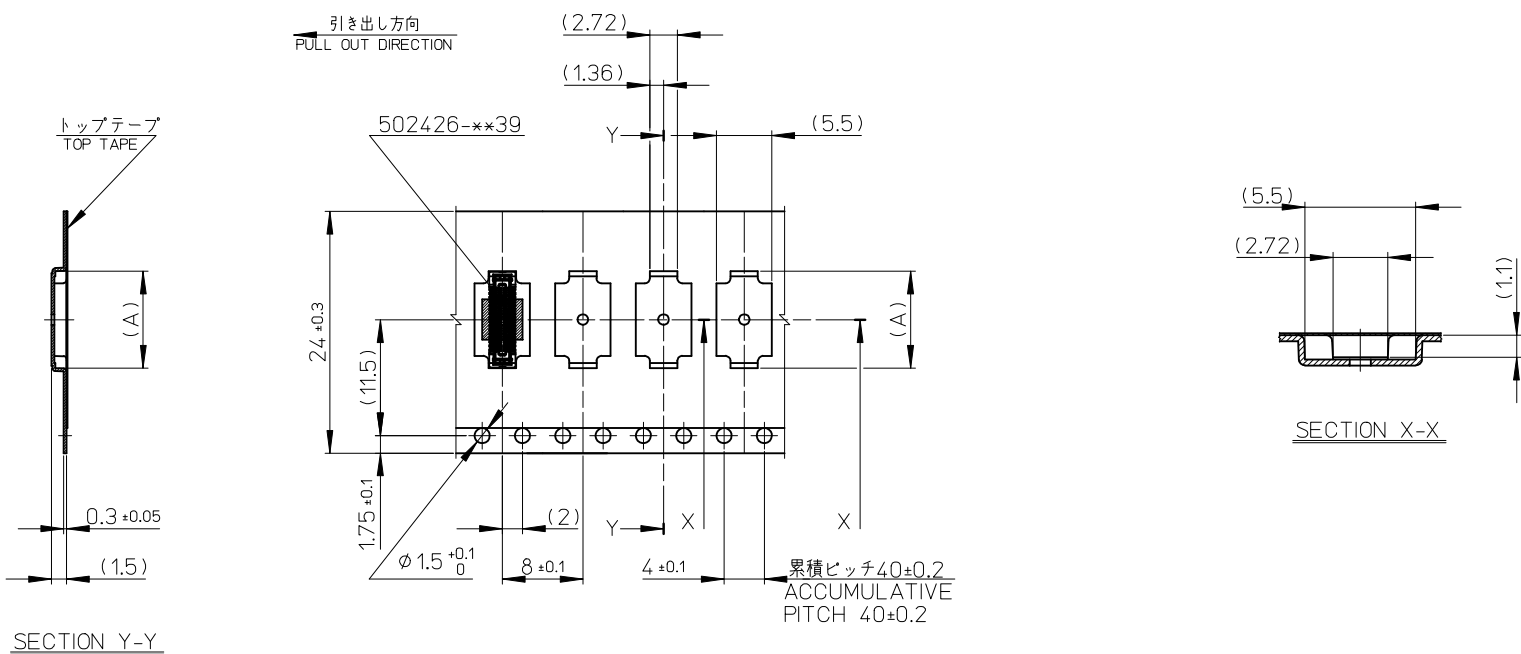


SECTION Y-Y

16mm 幅キャリアテープ  
16mm WIDTH CARRIER TAPE

|                                |      |      |              |             |              |
|--------------------------------|------|------|--------------|-------------|--------------|
| 16                             | 21.4 | 17.4 | 8.42         | 502426-2630 | 26           |
|                                |      |      | 8.02         | 502426-2430 | 24           |
|                                |      |      | 7.62         | 502426-2230 | 22           |
|                                |      |      | 7.22         | 502426-2030 | 20           |
|                                |      |      | 6.02         | 502426-1430 | 14           |
| キャリアテープ幅<br>CARRIER TAPE WIDTH |      |      | C            | B           | (A)          |
|                                |      |      | MATERIAL No. |             | CKT.         |
|                                |      |      | MODEL No.    |             | 502426-***30 |

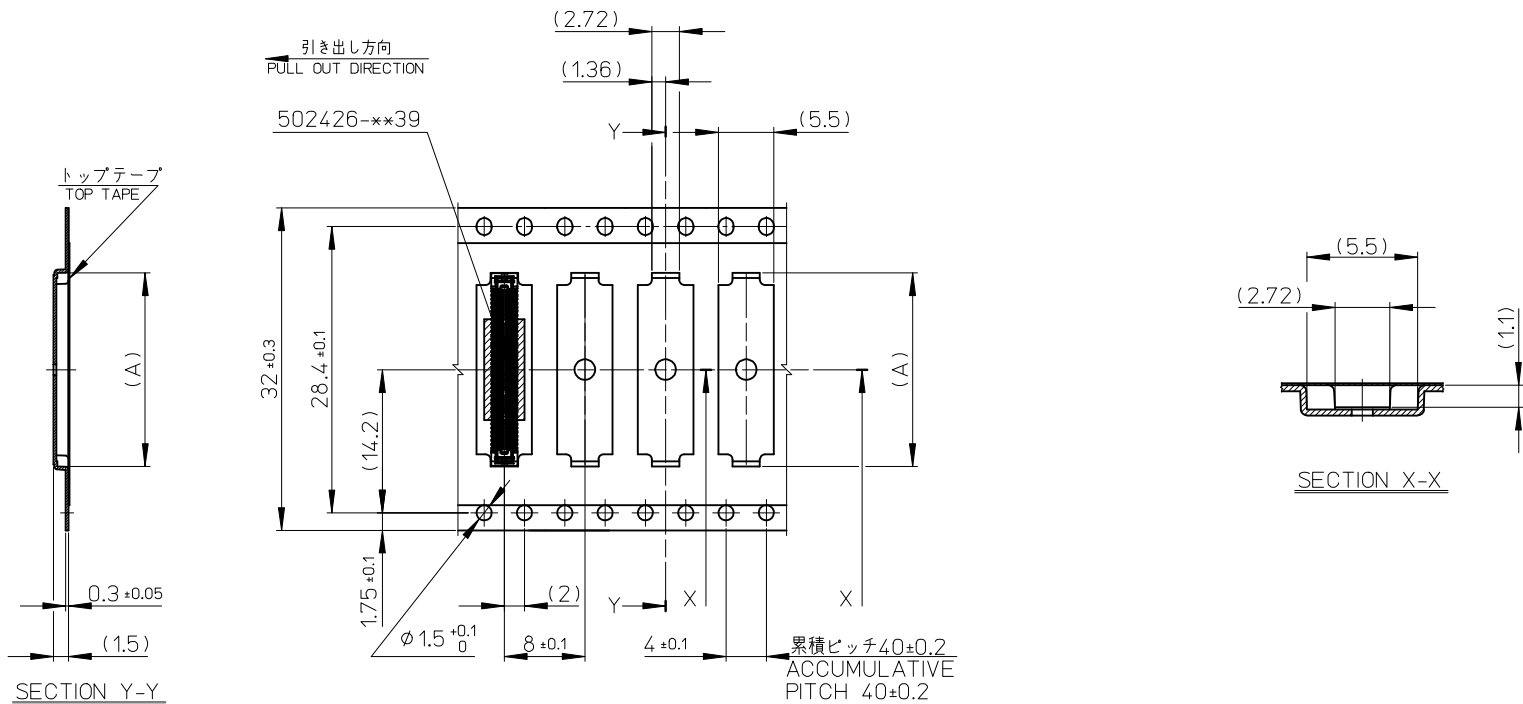
|  |                    |  |       |                            |                    |   |                        |   |  |  |
|--|--------------------|--|-------|----------------------------|--------------------|---|------------------------|---|--|--|
| REVISED<br>EC NO.: J2009-0889<br>DRWN: YAQYAGI 2009/06/15<br>CHKD: THARUYAMA 2009/06/15<br>APPR: NUKITA 2009/06/15 | DESCRIPTION<br>REV | GENERAL TOLERANCES (UNLESS SPECIFIED)                |       | DIMENSION STYLE<br>MM ONLY |                    | SCALE<br>---  | DESIGN UNITS<br>METRIC | THIRD ANGLE PROJECTION  |  |  |
|  |                    | 10 UNDER   | ± --- | DRAWN BY<br>RTAKEUCHI      | DATE<br>2007/12/26 | TITLE<br>0.4 B-TO-B CONN. HGT=1.0<br>REC ASSY WITH TAPE<br>EMBSTP PKG |                        |   |  |  |
|  |                    | 10 OVER 30 UNDER                                     | ± --- | CHECKED BY<br>MSASAO       | DATE<br>2007/12/26 | MOLEX INCORPORATED  |                        |   |  |  |
|  |                    | 30 OVER  | ± --- | APPROVED BY<br>MSASAO      | DATE<br>2007/12/26 | DOCUMENT NO.<br>SD-502426-004   |                        |   |  |  |
| ANGULAR ± --- °  |                    | DRAFT WHERE APPLICABLE MUST REMAIN WITHIN DIMENSIONS |       | MATERIAL NO.<br>SEE TABLE  |                    | SHEET NO.<br>2 OF 4   |                        | THIS DRAWING CONTAINS INFORMATION THAT IS PROPRIETARY TO MOLEX INCORPORATED AND SHOULD NOT BE USED WITHOUT WRITTEN PERMISSION |  |  |



24mm 幅キャリアテープ  
24mm WIDTH CARRIER TAPE

|                                |      |      |           |              |      |
|--------------------------------|------|------|-----------|--------------|------|
| 24                             | 29.4 | 25.4 | 15.22     | 502426-6030  | 60   |
|                                |      |      | 13.22     | 502426-5030  | 50   |
|                                |      |      | 11.22     | 502426-4030  | 40   |
|                                |      |      | 9.62      | 502426-3230  | 32   |
| キャリアテープ幅<br>CARRIER TAPE WIDTH |      |      | (A)       | MATERIAL No. | CKT. |
|                                |      |      | MODEL No. | 502426-**-30 |      |

|   |                    |   |       |                            |                    |   |                        |                        |  |  |
|---|--------------------|---|-------|----------------------------|--------------------|---|------------------------|------------------------|--|--|
| REVISED<br>EC NO: J2009-0889<br>DRWN: YA0YAGI 2009/06/15<br>CHKD: THARUYAMA 2009/06/15<br>APPR: NUKITA 2009/06/15 | DESCRIPTION<br>REV | GENERAL TOLERANCES (UNLESS SPECIFIED)   |       | DIMENSION STYLE<br>MM ONLY |                    | SCALE<br>---  | DESIGN UNITS<br>METRIC | THIRD ANGLE PROJECTION |  |  |
|   |                    | 10 UNDER  | ±---  | DRAWN BY<br>RTAKEUCHI      | DATE<br>2007/12/26 | TITLE<br>0.4 B-TO-B CONN. HGT=1.0<br>REC ASSY WITH TAPE<br>EMBSTP PKG |                        |                        |  |  |
|   |                    | 10 OVER 30 UNDER  | ±---  | CHECKED BY<br>MSASAO       | DATE<br>2007/12/26 | MOLEX INCORPORATED  |                        |                        |  |  |
|   |                    | 30 OVER   | ±---  | APPROVED BY<br>MSASAO      | DATE<br>2007/12/26 | DOCUMENT NO.<br>SD-502426-004   |                        |                        |  |  |
|   |                    | ANGULAR   | ±---° | MATERIAL NO.<br>SEE TABLE  |                    | SHEET NO.<br>3 OF 4   |                        |                        |  |  |
| DRAFT WHERE APPLICABLE MUST REMAIN WITHIN DIMENSIONS  |                    | THIS DRAWING CONTAINS INFORMATION THAT IS PROPRIETARY TO MOLEX INCORPORATED AND SHOULD NOT BE USED WITHOUT WRITTEN PERMISSION |       |                            |                    |   |                        |                        |  |  |



32mm 幅キャリアテープ  
32mm WIDTH CARRIER TAPE

|                                |      |      |              |             |                |
|--------------------------------|------|------|--------------|-------------|----------------|
| 32                             | 37.4 | 33.5 | 21.22        | 502426-9030 | 90             |
|                                |      |      | 19.22        | 502426-8030 | 80             |
|                                |      |      | 17.22        | 502426-7030 | 70             |
| キャリアテープ幅<br>CARRIER TAPE WIDTH |      |      | C            | B           | (A)            |
|                                |      |      | MATERIAL No. |             | CKT.           |
|                                |      |      | MODEL No.    |             | 502426-**-**30 |

|   |                    |  |       |                            |                    |   |                        |                               |                     |  |
|---|--------------------|--|-------|----------------------------|--------------------|---|------------------------|-------------------------------|---------------------|--|
| REVISED<br>EC NO: J2009-0889<br>DRWN: YA0YAGI 2009/06/15<br>CHKD: THARUYAMA 2009/06/15<br>APPR: NUKITA 2009/06/15 | DESCRIPTION<br>REV | GENERAL TOLERANCES (UNLESS SPECIFIED)  |       | DIMENSION STYLE<br>MM ONLY |                    | SCALE<br>---  | DESIGN UNITS<br>METRIC | THIRD ANGLE PROJECTION        |                     |  |
|   |                    | 10 UNDER   | ± --- | DRAWN BY<br>RTAKEUCHI      | DATE<br>2007/12/26 | TITLE<br>0.4 B-TO-B CONN. HGT=1.0<br>REC ASSY WITH TAPE<br>EMBSTP PKG |                        |                               |                     |  |
|   |                    | 10 OVER 30 UNDER   | ± --- | CHECKED BY<br>MSASAO       | DATE<br>2007/12/26 | MOLEX INCORPORATED  |                        |                               |                     |  |
|   |                    | 30 OVER  | ± --- | APPROVED BY<br>MSASAO      | DATE<br>2007/12/26 | MATERIAL NO.<br>SEE TABLE   |                        | DOCUMENT NO.<br>SD-502426-004 | SHEET NO.<br>4 OF 4 |  |
| ANGULAR ± --- °<br>DRAFT WHERE APPLICABLE<br>MUST REMAIN<br>WITHIN DIMENSIONS                                     |                    | THIS DRAWING CONTAINS INFORMATION THAT IS PROPRIETARY TO MOLEX<br>INCORPORATED AND SHOULD NOT BE USED WITHOUT WRITTEN PERMISSION |       |                            |                    |   |                        |                               |                     |  |