

PLEASE CHECK WWW.MOLEX.COM FOR LATEST PART INFORMATION

Part Number: **0353784810**
Status: **Active**
Description: 0.76/2.29mm (.030/090") Tab Wire-to-Wire Duomate Hybrid Female Housing, 48 Circuits

Documents:

[Drawing \(PDF\)](#) [RoHS Certificate of Compliance \(PDF\)](#)
[Product Specification PS-35376-001 \(PDF\)](#)

General

Product Family Crimp Housings
 Series 35378
 Product Name N/A

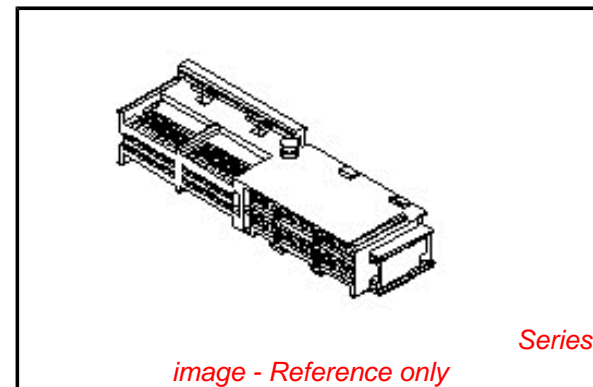
Physical

Circuits (maximum) 48
 Color - Resin Gray, Natural
 Gender Female
 Glow-Wire Compliant No
 Material - Resin Polyester
 Number of Rows 2
 Packaging Type Bag
 Panel Mount No
 Pitch - Mating Interface (in) 0.078 In, 0.141 In
 Pitch - Mating Interface (mm) 2.00 mm, 3.60 mm
 Stackable No
 Temperature Range - Operating -40°C to +85°C

Material Info

Reference - Drawing Numbers

Product Specification PS-35376-001
 Sales Drawing SD-35378-002



EU RoHS

ELV and RoHS Compliant
REACH SVHC
 Not Reviewed
Halogen-Free Status
Not Reviewed

China RoHS



Need more information on product environmental compliance?

Email productcompliance@molex.com
 For a multiple part number RoHS Certificate of Compliance, [click here](#)

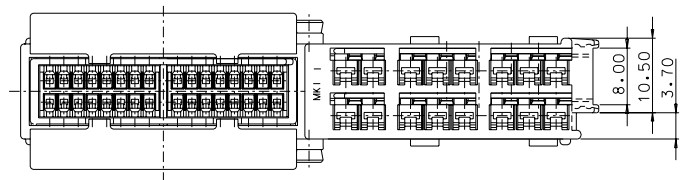
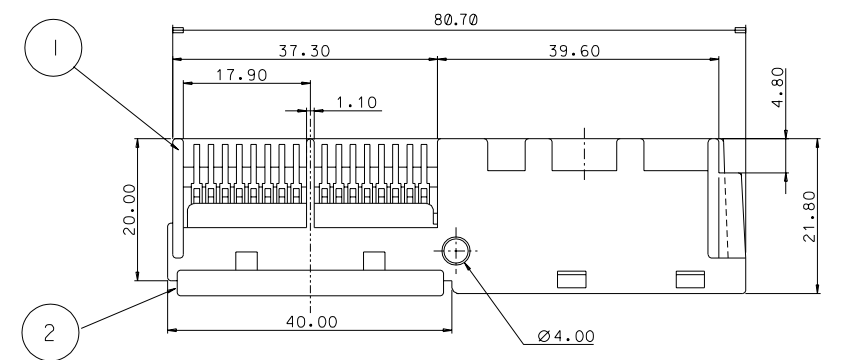
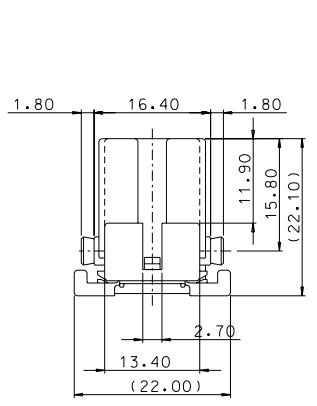
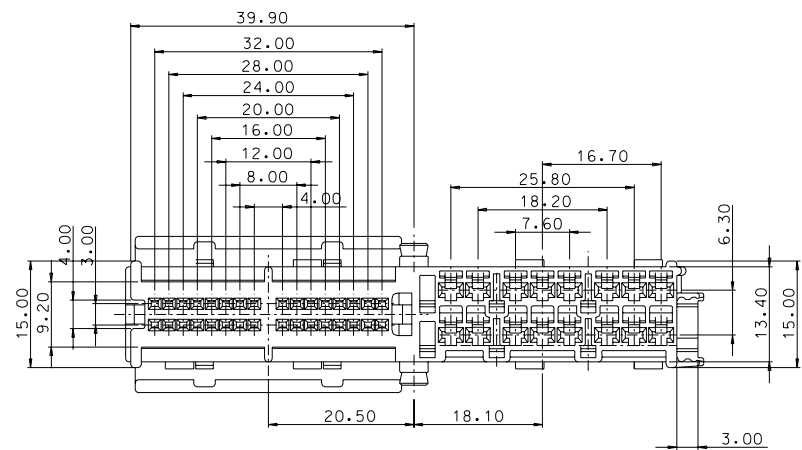
Please visit the [Contact Us](#) section for any non-product compliance questions.

Search Parts in this Series
 35378Series

Mates With
 35380

Use With
 35421 , 35442

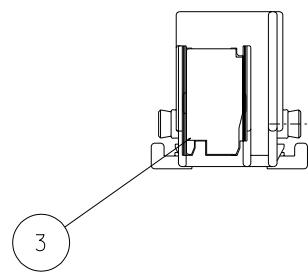
PROJECT NO. SD35378-002
 SIMILAR ITEM
 DO NOT SCALE DRAWING DIMENSION IN METRIC



NO.	P/NAME	P/NO.	MATERIAL	Q'TY
①	DUOMATE HYBRID TYPE 48P FEMALE HOUSING	35378-4890	POLYESTER (PBT)	1
②	DUOMATE HYBRID TYPE 32P FEMALE TPA	35379-3235	POLYESTER (PBT)	1
③	DUOMATE HYBRID TYPE 16P FEMALE TPA	35388-1685	POLYESTER (PBT)	1

NOTES:

- MATING TERMINAL PART NO:
 DUOMATE(Ø30)TYPE: 35442-1702
 UNICONN(Ø90)TYPE: 3535421-6702,35421-6802,35421-6902
- MATING CONNECTOR PART NO: 35380-4810
- TERMINAL RETENTION FORCE(COMBINED): 10Kgf MIN.



NEW RELEASE EC NO. Y.S.IK.KIM/96/11/11 DRAWN: Y.S.IK.KIM CHK: CHK APPR: APPR	QUALITY SYMBOLS MAJOR CRITICAL	GENERAL TOLERANCES (UNLESS SPECIFIED)	SCALE 2/1	DESIGN UNITS <input checked="" type="checkbox"/> mm <input type="checkbox"/> INCH	DIMENSIONS: <input type="checkbox"/> mm <input checked="" type="checkbox"/> INCH <input type="checkbox"/> mm ONLY		SHT	REV
		4 PLACES ±0.15 ±	DRAWN BY & DATE Y.S.IK.KIM 96/11/11	THIRD ANGLE PROJECTION		TITLE: DUOMATE HYBRID TYPE 48P FEMALE CONNECTOR ASS'Y		
REV	DESCRIPTION	3 PLACES ±0.20 ±	CHECKED BY & DATE B.K.CHOI 96/11/12	MATERIAL NO. 35378-002		DRAWING NO. SD35378-002	SHEET NO. 1/1	
		2 PLACES ±0.20 ±	APPROVED BY & DATE C.W.LEE 96/11/12	MOLEX INCORPORATED KOREA				
		1 PLACE ±0.20 ±	CAD FILENAME s3537848.dgn	THIS DRAWING CONTAINS INFORMATION THAT IS PROPRIETARY TO MOLEX INCORPORATED AND SHOULD NOT BE USED WITHOUT WRITTEN PERMISSION.				
		ANGULAR: ± °						
DRAWING WHERE APPLICABLE MUST REMAIN WITHIN DIMENSIONS								