



P/N: 24ST8515AP LF DATA SHEET

Feature



- Half port and single port designs for maximum layout flexibility.
- Compatible with Intel, TDK, QSI, and ICS.
- Low profile packages from .094”(2.39mm)to.078”(1.98mm) for PC Card and Card bus applications.
- Lead free for external pins.
- Operating Temperature range: 0 to +70 .
- Storage temperature range: -25 to +125 .

Electrical Specifications @ 25°C

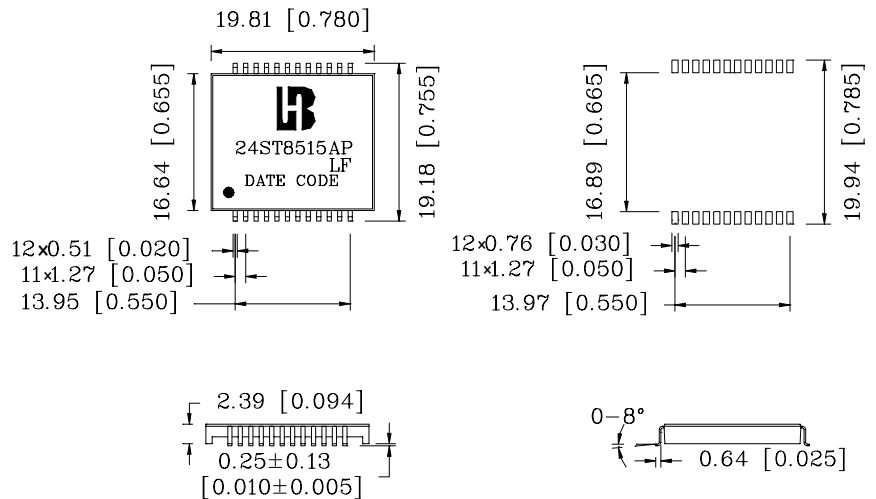
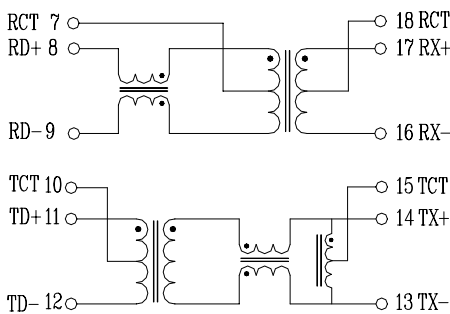
Part Number	Turns Ratio (±5%)		OCL (uH Min) @ 100KHz/0.1Vrms with 8mA/DC Bias	C _{www} (pF Max)	L.L. (uH Max)	HI-POT (Vrms)
	TX	RX				
24ST8515AP LF	1CT:1	1CT:1CT	350	28	0.6	1500

Continue

Part Number	Insertion Loss (dB Max)	Return Loss (dB Min)					Cross talk (dB Min)		DCMR (dB Min) TX/RX		
		0.3-100 MHz	30MHz	40MHz	50MHz	60MHz	80MHz	0.3-60MHz	60-100MHz	30MHz	60MHz
24ST8515AP LF	-1.15	-16	-14	-13.5	-13	-12	-45	-35	-42/-40	-35/-30	-28/-25

Schematic

Mechanical



Units: mm[inches] Tolerance: xx.x0±0.25[0.010]
0.xx±0.05[0.002]