

**PLEASE CHECK WWW.MOLEX.COM FOR LATEST PART INFORMATION**

**Part Number:** [0885272604](#)  
**Status:** **Active**  
**Overview:** [fiber optic product families](#)  
**Description:** FC-to-LC, Multimode, 62.5/125µm, Duplex, 2.00mm (.079"), Standard Fiber Optic Cable Assembly, 10.0m (32.81' )

**Documents:**

[Drawing \(PDF\)](#) [RoHS Certificate of Compliance \(PDF\)](#)

**General**

Product Family	Fiber Optic Assemblies
Series	<a href="#">88527</a>
Connector to Connector	FC-to-LC
Mode	Multimode
Overview	<a href="#">fiber optic product families</a>
Product Name	FC, LC

**Physical**

Cable Length	10.0m (32.81' )
Cable Size	2.00mm (.079")
Fiber (Core/Cladding)	62.5/125µm
Single Ended	No
Wire/Cable Type	Duplex

**Material Info**

**Reference - Drawing Numbers**

Sales Drawing	SD-88527-026
---------------	--------------

**EU RoHS**

**RoHS Compliant by Exemption**  
**REACH SVHC**  
**Not Reviewed**  
**Halogen-Free**  
**Status**  
**Not Reviewed**

**China RoHS**

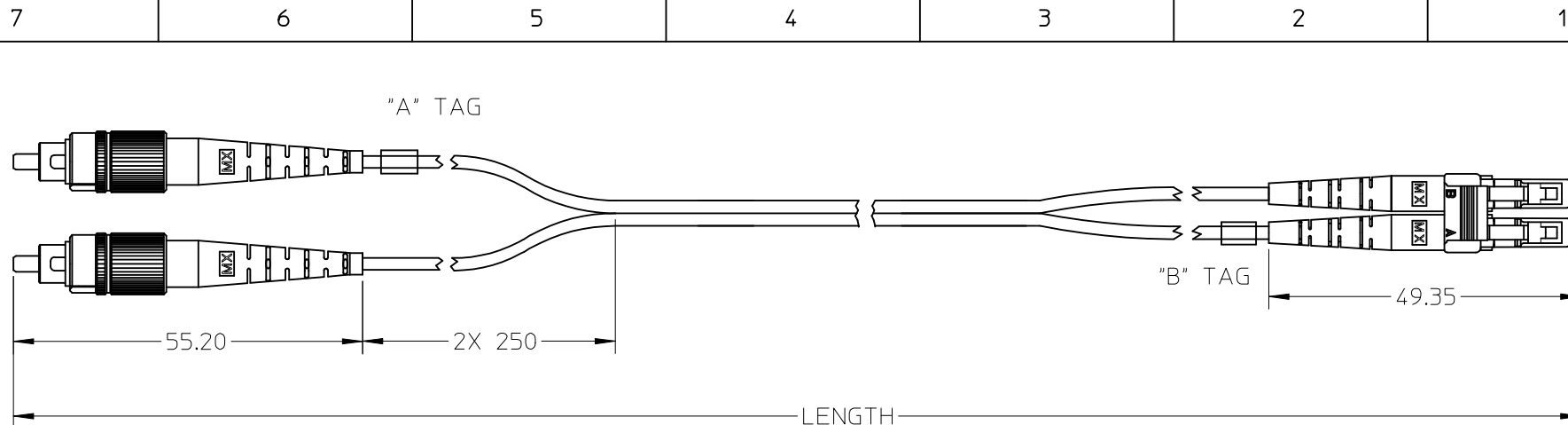


**Need more information on product environmental compliance?**

Email [productcompliance@molex.com](mailto:productcompliance@molex.com)  
 For a multiple part number RoHS Certificate of Compliance, [click here](#)

Please visit the [Contact Us](#) section for any non-product compliance questions.

**Search Parts in this Series**  
[88527Series](#)



885272604	FC-LC DUP MM 62.5/125 2MM 10M	10000(+200/-0)
885272603	FC-LC DUP MM 62.5/125 2MM 5M	5000(+200/-0)
885272602	FC-LC DUP MM 62.5/125 2MM 3M	3000(+200/-0)
885272601	FC-LC DUP MM 62.5/125 2MM 2M	2000(+200/-0)
885272600	FC-LC DUP MM 62.5/125 2MM 1M	1000(+100/-0)
MX P/N	DESCRIPTION	LENGTH

NOTES:  
 1. DUST CAPS ARE NOT SHOWN  
 2. PER CHANNEL @ 850nm  
 IL <= 0.50dB

ENTER DESCRIPTION EC NO: DG2009-0079 DRWN: XPCHEN CHKD: APPR: JOWANG	2008/11/10 2008/11/10 2008/11/12	QUALITY SYMBOLS ▽=0 ◻=0	GENERAL TOLERANCES (UNLESS SPECIFIED)		DIMENSION STYLE MM ONLY		SCALE ---	DESIGN UNITS METRIC	THIRD ANGLE PROJECTION			
				mm	INCH	DRAWN BY XP	DATE 2008/10/10	TITLE FC-LC DUP MM 62.5 2MM				
			4 PLACES	±---	±---	CHECKED BY LISA	DATE 2008/10/10	MOLEX INCORPORATED MATERIAL NO. ENTER PART DOCUMENT NO. SD-88527-026 SHEET NO. 1 OF 00				
			3 PLACES	±---	±---	APPROVED BY JOHNNY	DATE 2008/10/10					
			2 PLACES	±---	±---	ANGULAR ±---°		DRAFT WHERE APPLICABLE MUST REMAIN WITHIN DIMENSIONS				
1 PLACE	±---	±---										