

PLEASE CHECK WWW.MOLEX.COM FOR LATEST PART INFORMATION

Part Number: [0780410002](#)
Status: **Active**
Overview: [extreme_powerplus_ssi](#)
Description: 6.35mm (.250") Pitch, EXTreme PowerPlus™ Header, All Power, Through Hole, Vertical, 3 Circuits, with Peg, Lead-free

Documents:

[3D Model](#) [Product Specification PS-87631-006 \(PDF\)](#)
[Drawing \(PDF\)](#) [RoHS Certificate of Compliance \(PDF\)](#)

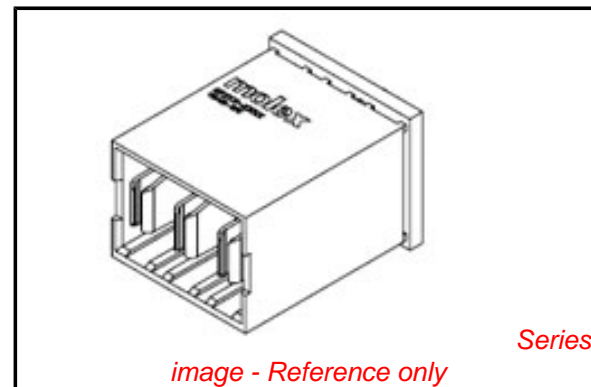
General

Product Family	PCB Headers
Series	78041
Application	Board-to-Board
Overview	extreme_powerplus_ssi
Product Name	EXTreme PowerPlus™

Physical

Breakaway	No
Circuits (Loaded)	3
Circuits Detail	All Power
Color - Resin	Black
Durability (mating cycles max)	100
First Mate / Last Break	No
Glow-Wire Compliant	No
Guide to Mating Part	No
Keying to Mating Part	None
Lock to Mating Part	No
Material - Metal	Copper Alloy
Material - Plating Mating	Gold
Material - Plating Termination	Tin
Material - Resin	High Temperature Thermoplastic
Number of Rows	1
Orientation	Vertical
PC Tail Length (in)	0.135 In
PC Tail Length (mm)	3.43 mm
PCB Locator	Yes
PCB Retention	Yes
PCB Thickness Recommended (in)	0.071 In
PCB Thickness Recommended (mm)	1.80 mm
Packaging Type	Tray
Pitch - Mating Interface (in)	0.250 In
Pitch - Mating Interface (mm)	6.35 mm
Plating min: Mating (µin)	30
Plating min: Mating (µm)	0.76
Plating min: Termination (µin)	101.6
Plating min: Termination (µm)	2.54
Polarized to Mating Part	Yes
Polarized to PCB	Yes
Shrouded	Closed Ends
Stackable	No
Surface Mount Compatible (SMC)	Yes
Temperature Range - Operating	-20°C to +105°C
Termination Interface: Style	Through Hole

Electrical



EU RoHS

ELV and RoHS Compliant
REACH SVHC Contains SVHC: No
Halogen-Free Status

China RoHS



Not Reviewed

Need more information on product environmental compliance?

Email productcompliance@molex.com
 For a multiple part number RoHS Certificate of Compliance, [click here](#)

Please visit the [Contact Us](#) section for any non-product compliance questions.

Search Parts in this Series
[78041Series](#)

Current - Maximum per Contact	50A
Voltage - Maximum	250V DC

Solder Process Data

Duration at Max. Process Temperature (seconds)	10
Lead-free Process Capability	SMC & Wave Capable (TH only)
Max. Cycles at Max. Process Temperature	3
Process Temperature max. C	260

Material Info

Reference - Drawing Numbers

Application Specification	AS-87631-018
Product Specification	PS-87631-006
Sales Drawing	SD-78041-003

This document was generated on 05/31/2010

PLEASE CHECK WWW.MOLEX.COM FOR LATEST PART INFORMATION

10 9 8 7 6 5 4 3 2 1

F

E

D

C

B

A

F

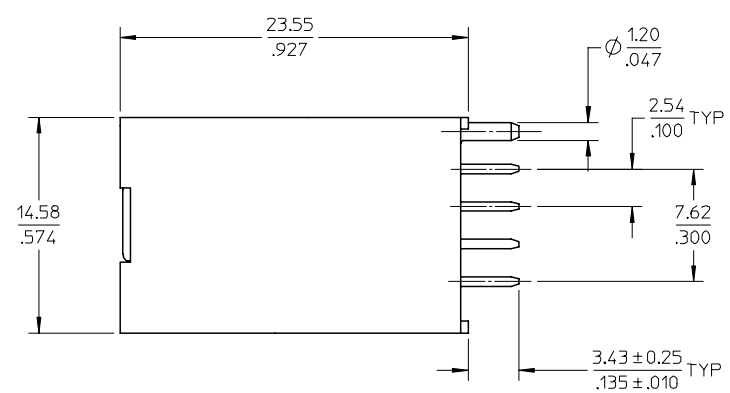
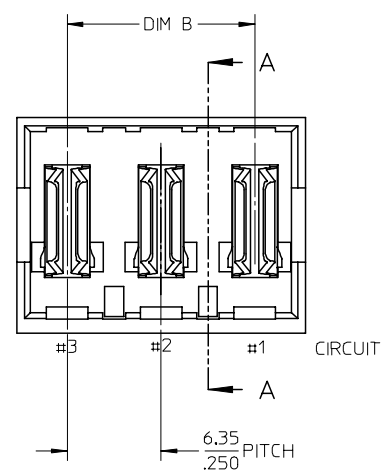
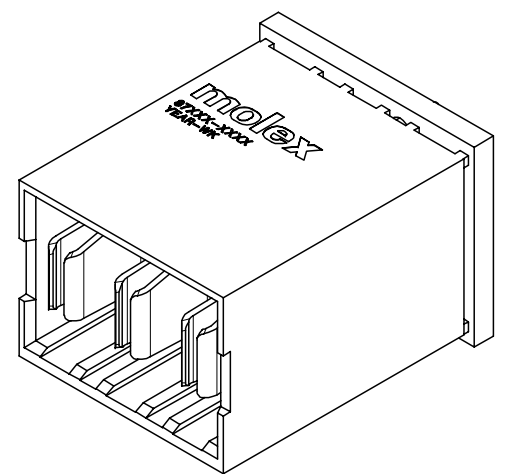
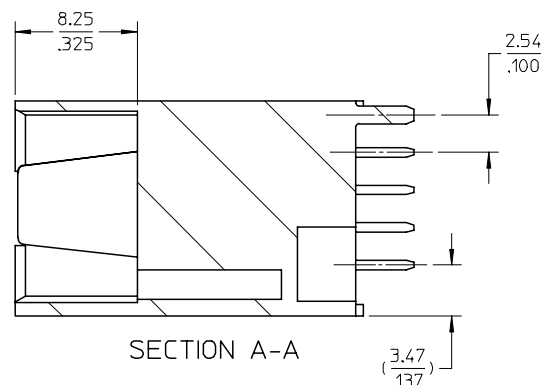
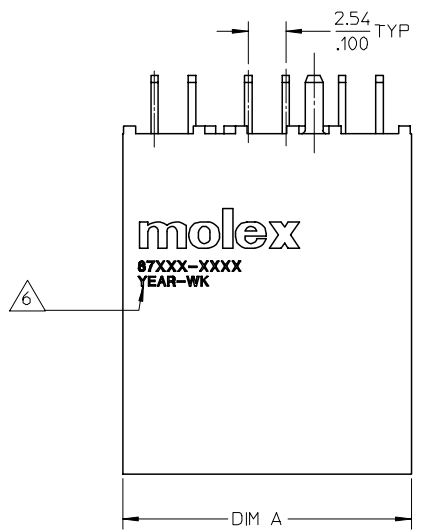
E

D

C

B

A



REVISED	DESCRIPTION
EC NO: S2007-0597	2006/12/29
DRWN:SKANG	2006/12/29
CHKD:MLONG	2007/01/03
APPR:SKTOH	
A	REV

QUALITY SYMBOLS	DESCRIPTION
$\nabla=0$	
$\triangle=0$	

GENERAL TOLERANCES (UNLESS SPECIFIED)	
mm	INCH
4 PLACES $\pm .10$	$\pm .004$
3 PLACES $\pm .15$	$\pm .006$
2 PLACES ± 0.25	$\pm .010$
1 PLACE $\pm .50$	$\pm .020$
ANGULAR $\pm 3^\circ$	
DRAFT WHERE APPLICABLE MUST REMAIN WITHIN DIMENSIONS	

DIMENSION STYLE	
MM/IN	
DRAWN BY	DATE
SKANG	2006/12/26
CHECKED BY	DATE
MLONG	2006/12/28
APPROVED BY	DATE
SKTOH	2006/12/28
MATERIAL NO.	
SEE TABLE	
SIZE	
A3	

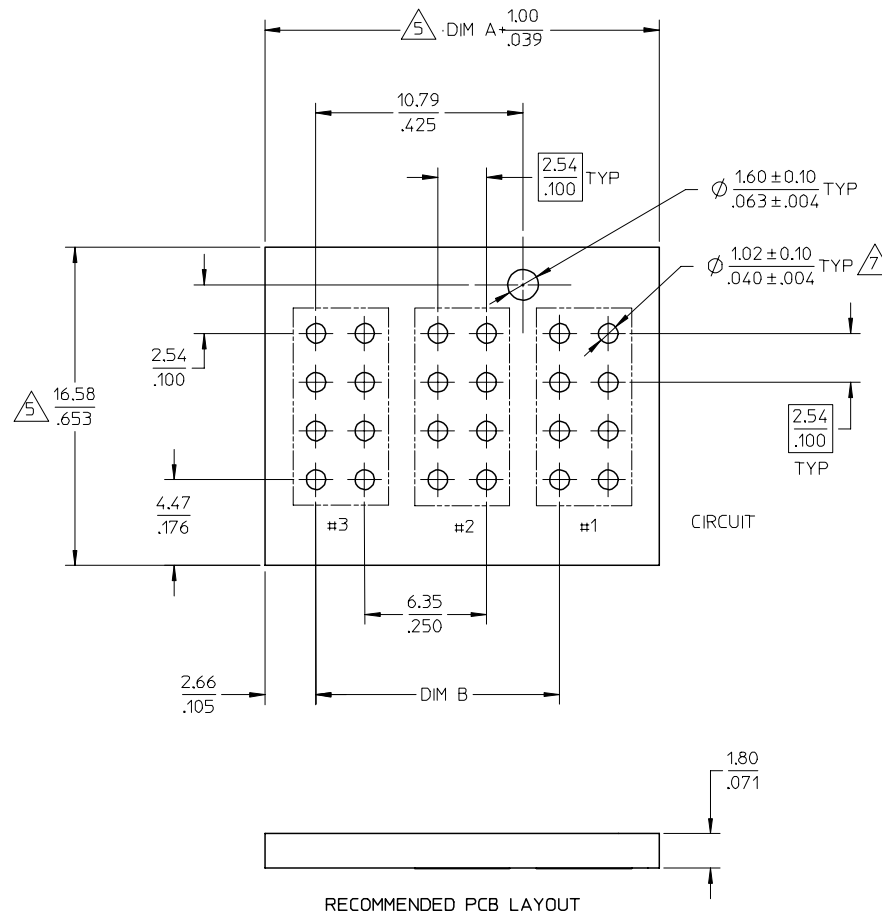
SCALE	DESIGN UNITS	THIRD ANGLE PROJECTION	
NTS	METRIC		
TITLE		MOLEX INCORPORATED	
HEADER, POWER CONNECTOR POWER CONFIG. ALL POWER VERTICAL T/H		DOCUMENT NO.	SHEET NO.
		SD-78041-003	1 OF 2
THIS DRAWING CONTAINS INFORMATION THAT IS PROPRIETARY TO MOLEX INCORPORATED AND SHOULD NOT BE USED WITHOUT WRITTEN PERMISSION			

9 8 7 6 5 4 3 2 1

10	9	8	7	6	5	4	3	2	1
PART NUMBER	NO. OF CIRCUITS	DIM A	DIM B	PACKAGING					
78041-0002	3	$\frac{19.55}{.770}$	$\frac{12.70}{.500}$	TRAY					

NOTE:

- MATERIAL: HOUSING - LCP
GLASS FILLED, UL94V-0, COLOUR: BLACK
POWER BLADES - COPPER ALLOY
- FINISHES: POWER - SELECTIVE GOLD IN CONTACT AREA
THICKNESS= 0.76µm/30µm MINIMUM
SELECTIVE TIN IN THE PC TAIL AREA
THICKNESS= 2.54µm/100µm MINIMUM WITH
1.27µm MINIMUM NICKEL, UNDERPLATE OVERALL.
- PRODUCT SPECIFICATION: PS-87631-006.
- SEE SHEET 2 FOR RECOMMENDED PCB LAYOUT.
- COMPONENT STAY AWAY ZONE FROM CONNECTOR.
- MANUFACTURER LOGO, PART NUMBER AND YEAR-WK CODE.
- PCB NOTE FOR DIAMETER 1.02/.040 PLATED HOLE.
 - DRILLED HOLE SIZE IS 1.151/.0453.
 - PLATED WITH 0.007/.0003 MINIMUM TIN OVER 0.03/.001 TO 0.08/.003 COPPER PLATING TO ACHIEVE 1.02±0.08/.049±.003 HOLE.



RECOMMENDED PCB LAYOUT

REVISED EC NO: S2007-0597 DRWN:SKANG CHKD:MLONG APPR:SKTOH	2006/12/29 2006/12/29 2007/01/03	QUALITY SYMBOLS 	DESCRIPTION SKTOH	GENERAL TOLERANCES (UNLESS SPECIFIED)		DIMENSION STYLE		SCALE	DESIGN UNITS	THIRD ANGLE PROJECTION				
				mm	INCH	MM/IN		NTS	METRIC					
				4 PLACES	± ---	± ---	DRAWN BY	DATE	TITLE HEADER, POWER CONNECTOR POWER CONFIG. ALL POWER VERTICAL T/H					
				3 PLACES	± ---	± ---	SKANG	2006/12/26						
2 PLACES	± 0.25	± ---	2 PLACES	± ---	CHECKED BY	DATE	MOLEX MOLEX INCORPORATED							
1 PLACE	± ---	± ---	MLONG	2006/12/28										
ANGULAR ± 3°				APPROVED BY	DATE	MATERIAL NO. SKTOH DOCUMENT NO. SD-78041-003								
DRAFT WHERE APPLICABLE MUST REMAIN WITHIN DIMENSIONS				SKTOH	2006/12/28									
				SEE TABLE		SIZE		THIS DRAWING CONTAINS INFORMATION THAT IS PROPRIETARY TO MOLEX INCORPORATED AND SHOULD NOT BE USED WITHOUT WRITTEN PERMISSION						
				A3		SHEET NO.						2 OF 2		