

PLEASE CHECK WWW.MOLEX.COM FOR LATEST PART INFORMATION

Part Number: [0757830107](#)
Status: **Active**
Overview: [ipass](#)
Description: 0.80mm (.031") Pitch, iPass™ I/O SMT Receptacle, Right Angle, Internal Application, 36 Circuit, 0.38µm (15µ") Gold (Au), Retention Shell, Left Key

Documents:

[Drawing \(PDF\)](#) [RoHS Certificate of Compliance \(PDF\)](#)
[Product Specification PS-75783-001 \(PDF\)](#)

Agency Certification

CSA LR19980
 UL E29179

General

Product Family I/O Connectors
 Series [75783](#)
 Application Wire-to-Board
 Comments Positive or passive latching cable available
 Component Type Receptacle
 Overview [ipass](#)
 Product Name iPass™, PCI Express*, SAS, Serial ATA
 Type N/A

Physical

Boot Color N/A
 Circuits (Loaded) 36
 Circuits (maximum) 36
 Color - Resin Black
 Durability (mating cycles max) 25
 Flammability 94V-0
 Gender Receptacle
 Keying to Mating Part Yes
 Lock to Mating Part None
 Material - Metal Copper-Nickel-Zinc, High Performance Alloy (HPA)
 Material - Plating Mating Gold
 Material - Plating Termination Tin
 Material - Resin High Temperature Thermoplastic
 Number of Rows 2
 Orientation Right Angle
 PCB Locator Yes
 PCB Retention Yes
 Packaging Type Embossed Tape on Reel
 Panel Mount No
 Pitch - Mating Interface (in) 0.031 In
 Pitch - Mating Interface (mm) 0.80 mm
 Pitch - Term. Interface (in) 0.031 In
 Pitch - Term. Interface (mm) 0.80 mm
 Plating min: Mating (µin) 15.2
 Plating min: Mating (µm) 0.38
 Plating min: Termination (µin) 101.6
 Plating min: Termination (µm) 2.54
 Polarized to Mating Part Yes
 Polarized to PCB Yes
 Ports 1
 Surface Mount Compatible (SMC) Yes



EU RoHS

**ELV and RoHS
 Compliant**
**REACH SVHC
 Contains SVHC: No**
**Halogen-Free
 Status**

China RoHS



**Need more information on product
 environmental compliance?**

Email productcompliance@molex.com
 For a multiple part number RoHS Certificate of Compliance, [click here](#)

Please visit the [Contact Us](#) section for any non-product compliance questions.

Search Parts in this Series

[75783Series](#)

Mates With

iPass™ Cable Assemblies, [79575](#) , [79576](#)
 , [74562](#) , [74563](#) , [79536](#) , [74573](#) , [74569](#) ,
[74586](#)

| | |
|-------------------------------|----------------|
| Temperature Range - Operating | -40°C to +80°C |
| Termination Interface: Style | Surface Mount |
| Waterproof / Dustproof | No |
| Wire Insulation Diameter | N/A |
| Wire Size AWG | N/A |

Electrical

| | |
|-------------------------------|-----------------|
| Current - Maximum per Contact | 0.5A |
| Grounding to Panel | None |
| Shield Type | Full Shield |
| Shielded | Yes |
| Voltage - Maximum | 30V AC (RMS)/DC |

Solder Process Data

| | |
|------------------------------|---------------------------|
| Lead-free Process Capability | Reflow Capable (SMT only) |
| Process Temperature max. C | 260 |

Material Info

Reference - Drawing Numbers

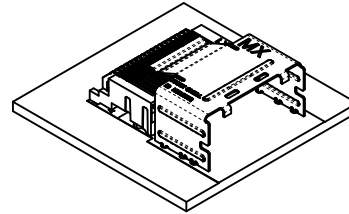
| | |
|-------------------------|--------------|
| Packaging Specification | PK-75783-001 |
| Product Specification | PS-75783-001 |
| Sales Drawing | SD-75783-001 |

This document was generated on 05/28/2010

PLEASE CHECK WWW.MOLEX.COM FOR LATEST PART INFORMATION

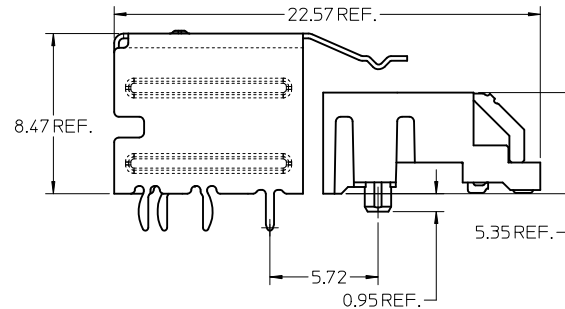


MOLD CAVITY ID
FOR REFERENCE ONLY



NOTES:

1. MATERIAL:
CONNECTOR:
HOUSING - HIGH TEMPERATURE THERMOPLASTIC GLASS FILLED, UL 94V-0, BLACK
TERMINALS - COPPER ALLOY
SHELL
SILVER NICKEL, C770, THICKNESS: 0.250/0.254
2. FINISH:
CONNECTOR
OPTION 1
CONTACT AREA - 0.38µm MIN GOLD OVER 2.54 µm NICKEL
SOLDER FOOT AREA - 2.54-5.09µm TIN OVER 1.27 µm NICKEL
OPTION 2
CONTACT AREA - 0.76µm MIN GOLD OVER 2.54 µm NICKEL
SOLDER FOOT AREA - 2.54-5.09µm TIN OVER 1.27 µm NICKEL
3. TERMINAL SOLDER FEET TO BE COPLANAR WITHIN 0.10 MEASURED FROM FRONT HOUSING STAND OFF (DATUM C)
4. DATE CODE: 4 DIGIT (3 DIGIT DAY, 1 DIGIT YEAR) CONNECTOR ONLY
5. CIRCUIT IDENTIFIER: SEE APPROPRIATE INDUSTRY SPECIFICATION FOR LOCATION OF PIN 1.
6. TO BE USED WITH THE FOLLOWING CABLE SERIES:
79575/74563/79576/74573/79536/74562/74569/74586
7. PACKAGED PER PACKAGING SPECIFICATION: PK-75783-001
8. CONFORMS TO PRODUCT SPECIFICATION: PS-75783-001
9. PROCESS PER APPLICATION SPECIFICATION: AS-75783-001
10. THIS PART CONFORMS TO CLASS C REQUIREMENTS OF COSMETIC SPEC PS-45499-002



36 CIRCUIT
RETENTION FIT
SHELL OPTION SHOWN

| CIRCUIT SIZE | DIM 'A' | DIM 'B' | DIM 'C' |
|--------------|---------|---------|---------|
| 26 | 12.00 | 13.80 | 11.80 |
| 36 | 16.00 | 17.80 | 15.80 |
| 50 | 21.60 | 23.40 | 21.40 |
| 68 | 28.80 | 30.60 | 28.60 |

| | | |
|-----------------|---------------------|------------|
| GEOMETRY UPDATE | EC NO: UCP2010-1913 | 2010/02/03 |
| | DRINKLANG | 2010/03/24 |
| | CHKD: JSWENSON | 2010/03/24 |
| | APPR: MBANAKIS | 2010/03/25 |
| REV | DESCRIPTION | |
| D1 | | |

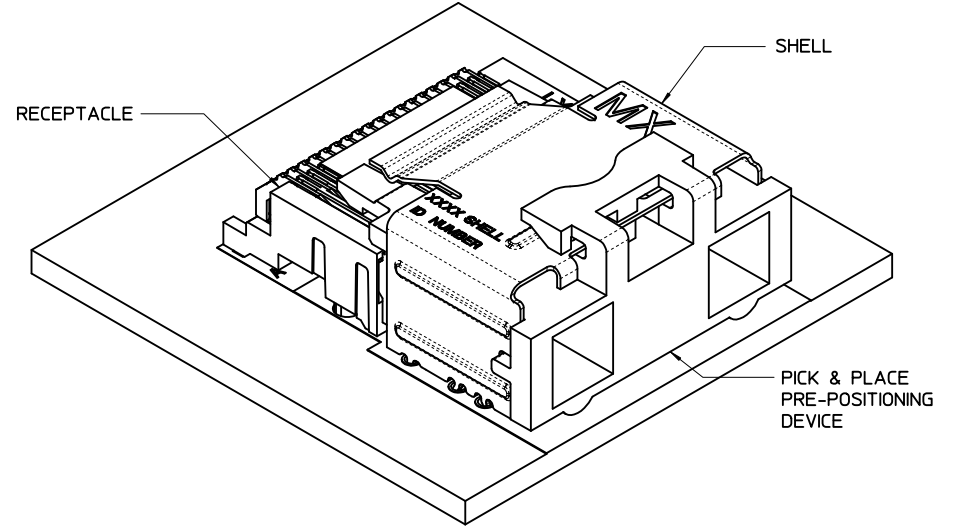
| | |
|-----------------|-----|
| QUALITY SYMBOLS | ▽=0 |
| | ▽=0 |

| | |
|--|---------|
| GENERAL TOLERANCES (UNLESS SPECIFIED) | |
| mm | INCH |
| 4 PLACES ± .005 | ± .0005 |
| 3 PLACES ± .002 | ± .0002 |
| 2 PLACES ± 0.13 | ± .005 |
| 1 PLACE ± 0.25 | ± .010 |
| ANGULAR ± 1/2° | |
| DRAFT WHERE APPLICABLE MUST REMAIN WITHIN DIMENSIONS | |

| | |
|----------------------------|--------------|
| DIMENSION STYLE MM ONLY | |
| DRAWN BY | DATE |
| KLANG | 02/09/05 |
| CHECKED BY | DATE |
| JSWENSON | 02/09/05 |
| APPROVED BY | DATE |
| MBANAKIS | 02/02/05 |
| MATERIAL NO. | DOCUMENT NO. |
| SEE CHART | SD-75783-001 |

| | | |
|---|------------------------|------------------------|
| SCALE 5:1 | DESIGN UNITS METRIC | THIRD ANGLE PROJECTION |
| TITLE I-PASS R/A CONNECTOR INTERNAL ASSY W/SHELL 0.8MM PITCH I/O | | |
| MOLEX INCORPORATED | | |
| THIS DRAWING CONTAINS INFORMATION THAT IS PROPRIETARY TO MOLEX INCORPORATED AND SHOULD NOT BE USED WITHOUT WRITTEN PERMISSION | | SHEET NO. 1 OF 12 |

ASSEMBLY WITH PRE-POSITION DEVICE



36 CIRCUIT RETENTION-FIT SHELL OPTION SHOWN

NOTES:

1. PICK AND PLACE AREA DEFINED IN APPLICATION SPECIFICATION, AS-75783-001
2. PACKAGING CONSISTS OF CONNECTOR AND SHELL WITH A PRE-POSITIONING PICK AND PLACE DEVICE THAT ARE PACKAGED IN "TAPE AND REEL" FOR ROBOTIC PICK AND PLACE.

iPass™ IS A TRADEMARK OF MOLEX

| CIRCUIT SIZE | DIM 'D' |
|--------------|---------|
| 26 | 15.50 |
| 36 | 19.50 |
| 50 | 25.10 |
| 68 | 32.30 |

| SEE SHEET 1 EC NO: UCP2010-1913 DRW: KLKLANG 2010/02/03 CHKD: JSWENSON 2010/03/24 APPR: MBANAKIS 2010/03/25 | DESCRIPTION REV: D1 | QUALITY SYMBOLS ▽=0 ▽=0 | GENERAL TOLERANCES (UNLESS SPECIFIED) <table border="1"> <thead> <tr> <th></th> <th>mm</th> <th>INCH</th> </tr> </thead> <tbody> <tr> <td>4 PLACES</td> <td>± .---</td> <td>± .---</td> </tr> <tr> <td>3 PLACES</td> <td>± .---</td> <td>± .---</td> </tr> <tr> <td>2 PLACES</td> <td>± 0.13</td> <td>± .---</td> </tr> <tr> <td>1 PLACE</td> <td>± 0.25</td> <td>± .---</td> </tr> </tbody> </table> ANGULAR ±1/2° | | mm | INCH | 4 PLACES | ± .--- | ± .--- | 3 PLACES | ± .--- | ± .--- | 2 PLACES | ± 0.13 | ± .--- | 1 PLACE | ± 0.25 | ± .--- | DIMENSION STYLE MM ONLY | SCALE 5:1 | DESIGN UNITS METRIC | THIRD ANGLE PROJECTION |
|---|------------------------|----------------------------------|--|--|------------------------------|----------------------|----------|--------|--------|----------|--------|--------|----------|--------|--------|---------|--------|--------|-----------------------------------|--------------|------------------------|------------------------|
| | | | mm | INCH | | | | | | | | | | | | | | | | | | |
| | | 4 PLACES | ± .--- | ± .--- | | | | | | | | | | | | | | | | | | |
| | | 3 PLACES | ± .--- | ± .--- | | | | | | | | | | | | | | | | | | |
| 2 PLACES | ± 0.13 | ± .--- | | | | | | | | | | | | | | | | | | | | |
| 1 PLACE | ± 0.25 | ± .--- | | | | | | | | | | | | | | | | | | | | |
| DRAWN BY KLKLANG | DATE 02/09/05 | CHECKED BY JSWENSON | DATE 02/09/05 | TITLE I-PASS R/A CONNECTOR INTERNAL ASSY W/SHELL 0.8MM PITCH I/O | | | | | | | | | | | | | | | | | | |
| APPROVED BY MBANAKIS | DATE 02/02/05 | MATERIAL NO. SEE CHART | | | | | | | | | | | | | | | | | | | | |
| DRAFT WHERE APPLICABLE MUST REMAIN WITHIN DIMENSIONS | | | | MOLEX INCORPORATED | DOCUMENT NO. SD-75783-001 | SHEET NO. 2 OF 12 | | | | | | | | | | | | | | | | |
| THIS DRAWING CONTAINS INFORMATION THAT IS PROPRIETARY TO MOLEX INCORPORATED AND SHOULD NOT BE USED WITHOUT WRITTEN PERMISSION | | | | | | | | | | | | | | | | | | | | | | |

SHELL PCB INTERFACE



RETENTION-FIT SHELL OPTION

SMT SHELL OPTION

THRU-HOLE SHELL OPTION
SEE TABLE FOR LENGTH
(X.XX DENOTES TAIL LENGTH)

RECOMMENDED PCB THICKNESS
FOR SPECIFIED TAIL LENGTH

| TAIL LENGTH | PCB THICKNESS |
|-------------|---------------|
| 1.96 | 1.57 (.062) |
| 2.79 | 2.36 (.093) |
| 3.18 | 2.79 (.110) |
| 3.56 | 3.18 (.125) |

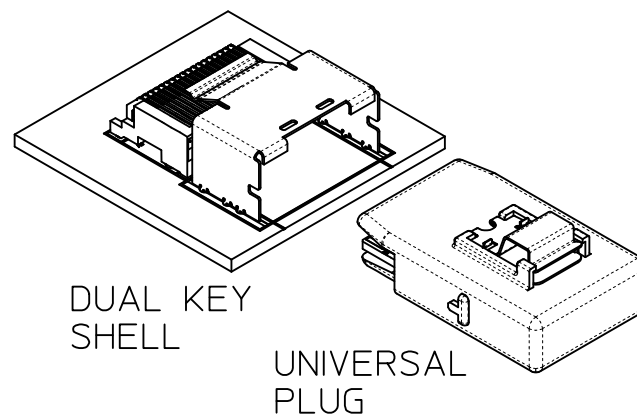
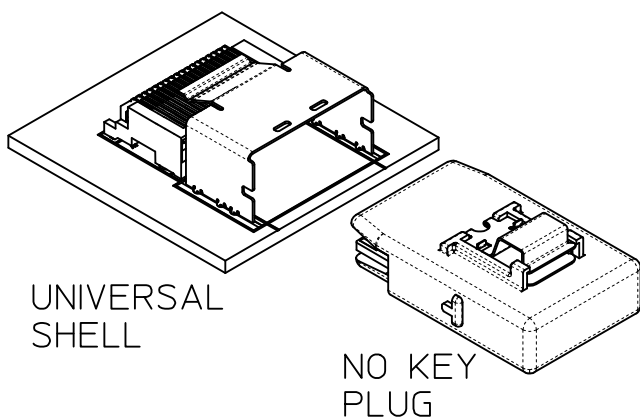
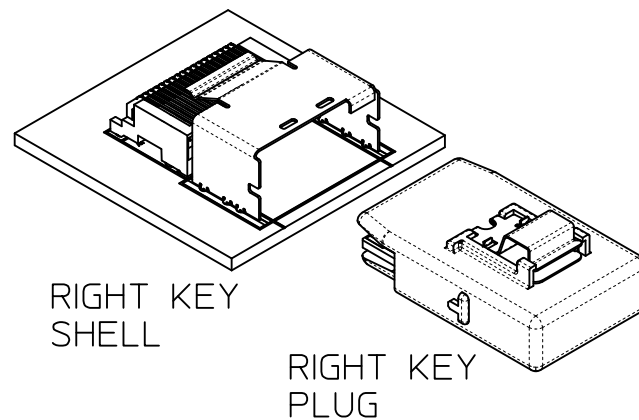
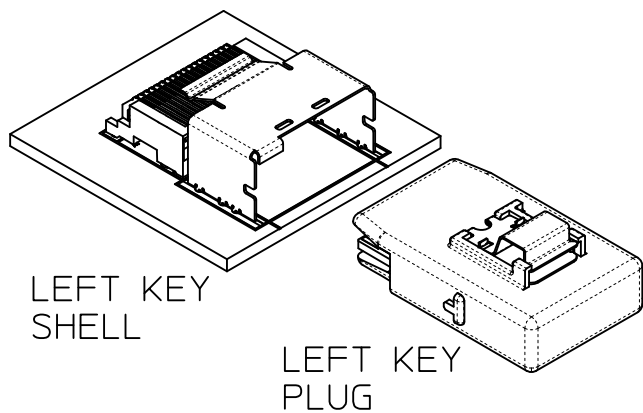
NOTE:
RETENTION FIT DENOTES TAILS THAT OFFER RETENTION TO PCB DURING REFLOW PROCESS
SMT DENOTES SURFACE MOUNT TERMINATION
T/H X.XX DENOTES THRU-HOLE TAIL OF LENGTH X.XX

iPass™ IS A TRADEMARK OF MOLEX

| | | | | | | |
|--|-----------------|---|--|--|--------------|--|
| SEE SHEET 1 EC NO: UCP2010-1913 DRW:KLANG 2010/02/03 CHKD:JSWENSON 2010/03/24 APPR:MBANAKIS 2010/03/25 | QUALITY SYMBOLS | GENERAL TOLERANCES (UNLESS SPECIFIED) | DIMENSION STYLE | SCALE | DESIGN UNITS | THIRD ANGLE PROJECTION |
| | ▼=0 ▽=0 | | MM ONLY | 5:1 | METRIC | |
| | DESCRIPTION | 4 PLACES ± --- ± --- 3 PLACES ± --- ± --- 2 PLACES ± 0.13 ± --- 1 PLACE ± 0.25 ± --- | mm INCH DRAWN BY DATE KLANG 02/09/05 CHECKED BY DATE JSWENSON 02/09/05 APPROVED BY DATE MBANAKIS 02/02/05 | TITLE | | I-PASS R/A CONNECTOR INTERNAL ASSY W/SHELL 0.8MM PITCH I/O MOLEX INCORPORATED |
| | | ANGULAR ±1/2° DRAFT WHERE APPLICABLE MUST REMAIN WITHIN DIMENSIONS | MATERIAL NO. SEE CHART SIZE C | DOCUMENT NO. SD-75783-001 SHEET NO. 3 OF 12 | | |

THIS DRAWING CONTAINS INFORMATION THAT IS PROPRIETARY TO MOLEX INCORPORATED AND SHOULD NOT BE USED WITHOUT WRITTEN PERMISSION

KEYING OPTIONS



| | UNIVERSAL SHELL | LEFT KEY SHELL | RIGHT KEY SHELL | DUAL KEY SHELL |
|----------------|-----------------|----------------|-----------------|----------------|
| NO KEY PLUG | YES | NO | NO | NO |
| LEFT KEY PLUG | YES | YES | NO | NO |
| RIGHT KEY PLUG | YES | NO | YES | NO |
| UNIVERSAL PLUG | YES | YES | YES | YES |

iPass™ IS A TRADEMARK OF MOLEX

| SEE SHEET 1 EC NO: UCP2010-1913 DRW:KLANG 2010/02/03 CHKD:JWENSON 2010/03/24 APPR:MBANAKIS 2010/03/25 | QUALITY SYMBOLS ▽=0 ▽=0 | GENERAL TOLERANCES (UNLESS SPECIFIED) <table border="1" style="width: 100%; border-collapse: collapse;"> <thead> <tr> <th></th> <th>mm</th> <th>INCH</th> </tr> </thead> <tbody> <tr> <td>4 PLACES</td> <td>± .---</td> <td>± .---</td> </tr> <tr> <td>3 PLACES</td> <td>± .---</td> <td>± .---</td> </tr> <tr> <td>2 PLACES</td> <td>± 0.13</td> <td>± .---</td> </tr> <tr> <td>1 PLACE</td> <td>± 0.25</td> <td>± .---</td> </tr> </tbody> </table> ANGULAR ±1/2° | | mm | INCH | 4 PLACES | ± .--- | ± .--- | 3 PLACES | ± .--- | ± .--- | 2 PLACES | ± 0.13 | ± .--- | 1 PLACE | ± 0.25 | ± .--- | DIMENSION STYLE MM ONLY DRAWN BY: KLANG DATE: 02/09/05 CHECKED BY: JSWENSON DATE: 02/09/05 APPROVED BY: MBANAKIS DATE: 02/02/05 | SCALE 2:1 DESIGN UNITS METRIC THIRD ANGLE PROJECTION | TITLE I-PASS R/A CONNECTOR INTERNAL ASSY W/SHELL 0.8MM PITCH I/O MATERIAL NO. MOLEX INCORPORATED DOCUMENT NO. SD-75783-001 SHEET NO. 4 OF 12 |
|---|-------------------------------|--|--------|--|------|----------|--------|--------|----------|--------|--------|----------|--------|--------|---------|--------|--------|---|--|---|
| | | mm | INCH | | | | | | | | | | | | | | | | | |
| | 4 PLACES | ± .--- | ± .--- | | | | | | | | | | | | | | | | | |
| | 3 PLACES | ± .--- | ± .--- | | | | | | | | | | | | | | | | | |
| 2 PLACES | ± 0.13 | ± .--- | | | | | | | | | | | | | | | | | | |
| 1 PLACE | ± 0.25 | ± .--- | | | | | | | | | | | | | | | | | | |
| DRAFT WHERE APPLICABLE MUST REMAIN WITHIN DIMENSIONS | | SEE CHART | | THIS DRAWING CONTAINS INFORMATION THAT IS PROPRIETARY TO MOLEX INCORPORATED AND SHOULD NOT BE USED WITHOUT WRITTEN PERMISSION | | | | | | | | | | | | | | | | |
| REV: D1 | | SIZE: C | | THIS DRAWING CONTAINS INFORMATION THAT IS PROPRIETARY TO MOLEX INCORPORATED AND SHOULD NOT BE USED WITHOUT WRITTEN PERMISSION | | | | | | | | | | | | | | | | |
| SEE SHEET 1 | | SEE CHART | | THIS DRAWING CONTAINS INFORMATION THAT IS PROPRIETARY TO MOLEX INCORPORATED AND SHOULD NOT BE USED WITHOUT WRITTEN PERMISSION | | | | | | | | | | | | | | | | |

26 CIRCUIT ITEM NUMBERS

| CIRCUIT SIZE | ITEM NUMBER | PLATING OPTION | SHELL PCB OPTION | SHELL KEY OPTION |
|--------------|-------------|----------------|------------------|------------------|
| 26 | 75783-0007 | OPTION 1 | RETENTION | LEFT |
| 26 | 75783-0008 | OPTION 1 | RETENTION | RIGHT |
| 26 | 75783-0009 | OPTION 1 | RETENTION | DUAL |
| 26 | 75783-0010 | OPTION 1 | SMT | LEFT |
| 26 | 75783-0011 | OPTION 1 | SMT | RIGHT |
| 26 | 75783-0012 | OPTION 1 | SMT | DUAL |
| 26 | 75783-0019 | OPTION 2 | RETENTION | LEFT |
| 26 | 75783-0020 | OPTION 2 | RETENTION | RIGHT |
| 26 | 75783-0021 | OPTION 2 | RETENTION | DUAL |
| 26 | 75783-0022 | OPTION 2 | SMT | LEFT |
| 26 | 75783-0023 | OPTION 2 | SMT | RIGHT |
| 26 | 75783-0024 | OPTION 2 | SMT | DUAL |
| 26 | 75783-0025 | OPTION 1 | RETENTION | UNIVERSAL |
| 26 | 75783-0026 | OPTION 1 | SMT | UNIVERSAL |
| 26 | 75783-0027 | OPTION 2 | RETENTION | UNIVERSAL |
| 26 | 75783-0028 | OPTION 2 | SMT | UNIVERSAL |
| 26 | 75783-0029 | OPTION 1 | T/H 1.96 | LEFT |
| 26 | 75783-0030 | OPTION 1 | T/H 1.96 | RIGHT |
| 26 | 75783-0031 | OPTION 1 | T/H 1.96 | DUAL |
| 26 | 75783-0032 | OPTION 1 | T/H 1.96 | UNIVERSAL |
| 26 | 75783-0033 | OPTION 2 | T/H 1.96 | LEFT |
| 26 | 75783-0034 | OPTION 2 | T/H 1.96 | RIGHT |
| 26 | 75783-0035 | OPTION 2 | T/H 1.96 | DUAL |
| 26 | 75783-0036 | OPTION 2 | T/H 1.96 | UNIVERSAL |

| CIRCUIT SIZE | ITEM NUMBER | PLATING OPTION | SHELL PCB OPTION | SHELL KEY OPTION |
|--------------|-------------|----------------|------------------|------------------|
| 26 | 75783-0037 | OPTION 1 | T/H 2.79 | LEFT |
| 26 | 75783-0038 | OPTION 1 | T/H 2.79 | RIGHT |
| 26 | 75783-0039 | OPTION 1 | T/H 2.79 | DUAL |
| 26 | 75783-0040 | OPTION 1 | T/H 2.79 | UNIVERSAL |
| 26 | 75783-0041 | OPTION 2 | T/H 2.79 | LEFT |
| 26 | 75783-0042 | OPTION 2 | T/H 2.79 | RIGHT |
| 26 | 75783-0043 | OPTION 2 | T/H 2.79 | DUAL |
| 26 | 75783-0044 | OPTION 2 | T/H 2.79 | UNIVERSAL |
| 26 | 75783-0045 | OPTION 1 | T/H 3.18 | LEFT |
| 26 | 75783-0046 | OPTION 1 | T/H 3.18 | RIGHT |
| 26 | 75783-0047 | OPTION 1 | T/H 3.18 | DUAL |
| 26 | 75783-0048 | OPTION 1 | T/H 3.18 | UNIVERSAL |
| 26 | 75783-0049 | OPTION 2 | T/H 3.18 | LEFT |
| 26 | 75783-0050 | OPTION 2 | T/H 3.18 | RIGHT |
| 26 | 75783-0051 | OPTION 2 | T/H 3.18 | DUAL |
| 26 | 75783-0052 | OPTION 2 | T/H 3.18 | UNIVERSAL |

iPass™ IS A TRADEMARK OF MOLEX

| SEE SHEET 1 EC NO: UCP2010-1913 DRW:KLANG 2010/02/03 CHKD:JSWENSON 2010/03/24 APPR:MBANAKIS 2010/03/25 | DESCRIPTION REV: D1 | QUALITY SYMBOLS ▽=0 ▽=0 | GENERAL TOLERANCES (UNLESS SPECIFIED) <table border="1"> <tr><th colspan="2">mm</th><th>INCH</th></tr> <tr><td>4 PLACES ±</td><td>---</td><td>± ---</td></tr> <tr><td>3 PLACES ±</td><td>---</td><td>± ---</td></tr> <tr><td>2 PLACES ±</td><td>0.13</td><td>± ---</td></tr> <tr><td>1 PLACE ±</td><td>0.25</td><td>± ---</td></tr> </table> ANGULAR ±1/2° | mm | | INCH | 4 PLACES ± | --- | ± --- | 3 PLACES ± | --- | ± --- | 2 PLACES ± | 0.13 | ± --- | 1 PLACE ± | 0.25 | ± --- | DIMENSION STYLE MM ONLY DRAWN BY: KLANG DATE: 02/09/05 CHECKED BY: JSWENSON DATE: 02/09/05 APPROVED BY: MBANAKIS DATE: 02/02/05 | SCALE: 2:1 DESIGN UNITS: METRIC THIRD ANGLE PROJECTION | TITLE I-PASS R/A CONNECTOR INTERNAL ASSY W/SHELL 0.8MM PITCH I/O | MATERIAL NO. SEE CHART | DOCUMENT NO. SD-75783-001 | SHEET NO. 5 OF 12 |
|--|------------------------|-------------------------------|---|---|--|------|------------|-----|-------|------------|-----|-------|------------|------|-------|-----------|------|-------|--|--|--|----------------------------------|-------------------------------------|----------------------|
| | | mm | | INCH | | | | | | | | | | | | | | | | | | | | |
| | | 4 PLACES ± | --- | ± --- | | | | | | | | | | | | | | | | | | | | |
| | | 3 PLACES ± | --- | ± --- | | | | | | | | | | | | | | | | | | | | |
| 2 PLACES ± | 0.13 | ± --- | | | | | | | | | | | | | | | | | | | | | | |
| 1 PLACE ± | 0.25 | ± --- | | | | | | | | | | | | | | | | | | | | | | |
| DRAFT WHERE APPLICABLE MUST REMAIN WITHIN DIMENSIONS | | | SIZE: C | THIS DRAWING CONTAINS INFORMATION THAT IS PROPRIETARY TO MOLEX INCORPORATED AND SHOULD NOT BE USED WITHOUT WRITTEN PERMISSION | | | | | | | | | | | | | | | | | | | | |
| MOLEX INCORPORATED | | | | | | | | | | | | | | | | | | | | | | | | |
| MOLEX INCORPORATED | | | | | | | | | | | | | | | | | | | | | | | | |

36 CIRCUIT ITEM NUMBERS

| CIRCUIT SIZE | ITEM NUMBER | PLATING OPTION | SHELL PCB OPTION | SHELL KEY OPTION |
|--------------|-------------|----------------|------------------|------------------|
| 36 | 75783-0107 | OPTION 1 | RETENTION | LEFT |
| 36 | 75783-0108 | OPTION 1 | RETENTION | RIGHT |
| 36 | 75783-0109 | OPTION 1 | RETENTION | DUAL |
| 36 | 75783-0110 | OPTION 1 | SMT | LEFT |
| 36 | 75783-0111 | OPTION 1 | SMT | RIGHT |
| 36 | 75783-0112 | OPTION 1 | SMT | DUAL |
| 36 | 75783-0119 | OPTION 2 | RETENTION | LEFT |
| 36 | 75783-0120 | OPTION 2 | RETENTION | RIGHT |
| 36 | 75783-0121 | OPTION 2 | RETENTION | DUAL |
| 36 | 75783-0122 | OPTION 2 | SMT | LEFT |
| 36 | 75783-0123 | OPTION 2 | SMT | RIGHT |
| 36 | 75783-0124 | OPTION 2 | SMT | DUAL |
| 36 | 75783-0125 | OPTION 1 | RETENTION | UNIVERSAL |
| 36 | 75783-0126 | OPTION 1 | SMT | UNIVERSAL |
| 36 | 75783-0127 | OPTION 2 | RETENTION | UNIVERSAL |
| 36 | 75783-0128 | OPTION 2 | SMT | UNIVERSAL |
| 36 | 75783-0129 | OPTION 1 | T/H 1.96 | LEFT |
| 36 | 75783-0130 | OPTION 1 | T/H 1.96 | RIGHT |
| 36 | 75783-0131 | OPTION 1 | T/H 1.96 | DUAL |
| 36 | 75783-0132 | OPTION 1 | T/H 1.96 | UNIVERSAL |
| 36 | 75783-0133 | OPTION 2 | T/H 1.96 | LEFT |
| 36 | 75783-0134 | OPTION 2 | T/H 1.96 | RIGHT |
| 36 | 75783-0135 | OPTION 2 | T/H 1.96 | DUAL |
| 36 | 75783-0136 | OPTION 2 | T/H 1.96 | UNIVERSAL |

| CIRCUIT SIZE | ITEM NUMBER | PLATING OPTION | SHELL PCB OPTION | SHELL KEY OPTION |
|--------------|-------------|----------------|------------------|------------------|
| 36 | 75783-0137 | OPTION 1 | T/H 2.79 | LEFT |
| 36 | 75783-0138 | OPTION 1 | T/H 2.79 | RIGHT |
| 36 | 75783-0139 | OPTION 1 | T/H 2.79 | DUAL |
| 36 | 75783-0140 | OPTION 1 | T/H 2.79 | UNIVERSAL |
| 36 | 75783-0141 | OPTION 2 | T/H 2.79 | LEFT |
| 36 | 75783-0142 | OPTION 2 | T/H 2.79 | RIGHT |
| 36 | 75783-0143 | OPTION 2 | T/H 2.79 | DUAL |
| 36 | 75783-0144 | OPTION 2 | T/H 2.79 | UNIVERSAL |
| 36 | 75783-0145 | OPTION 1 | T/H 3.18 | LEFT |
| 36 | 75783-0146 | OPTION 1 | T/H 3.18 | RIGHT |
| 36 | 75783-0147 | OPTION 1 | T/H 3.18 | DUAL |
| 36 | 75783-0148 | OPTION 1 | T/H 3.18 | UNIVERSAL |
| 36 | 75783-0149 | OPTION 2 | T/H 3.18 | LEFT |
| 36 | 75783-0150 | OPTION 2 | T/H 3.18 | RIGHT |
| 36 | 75783-0151 | OPTION 2 | T/H 3.18 | DUAL |
| 36 | 75783-0152 | OPTION 2 | T/H 3.18 | UNIVERSAL |
| 36 | 75783-0153 | OPTION 1 | T/H 3.56 | LEFT |
| 36 | 75783-0154 | OPTION 1 | T/H 3.56 | RIGHT |
| 36 | 75783-0155 | OPTION 1 | T/H 3.56 | DUAL |
| 36 | 75783-0156 | OPTION 1 | T/H 3.56 | UNIVERSAL |
| 36 | 75783-0157 | OPTION 2 | T/H 3.56 | LEFT |
| 36 | 75783-0158 | OPTION 2 | T/H 3.56 | RIGHT |
| 36 | 75783-0159 | OPTION 2 | T/H 3.56 | DUAL |
| 36 | 75783-0160 | OPTION 2 | T/H 3.56 | UNIVERSAL |

iPass™ IS A TRADEMARK OF MOLEX

| | | | | | | | | | |
|--|-------------------------------|---|--|--------------------------------------|--|--|-------------------------------|--|--|
| ENTER DESCRIPTION EC NO: UCP2010-1913 DRW:KLANG 2010/02/03 CHKD:JSWENSON 2010/03/24 APPR:MBANAKIS 2010/03/25 REV: D1 | QUALITY SYMBOLS ▽=0 ▽=0 | GENERAL TOLERANCES (UNLESS SPECIFIED) | | DIMENSION STYLE MM ONLY | | SCALE 2:1 | DESIGN UNITS METRIC | THIRD ANGLE PROJECTION | |
| | | 4 PLACES ± --- ± --- 3 PLACES ± --- ± --- 2 PLACES ± 0.13 ± --- 1 PLACE ± 0.25 ± --- | | DRAWN BY KLANG DATE 02/09/05 | | TITLE I-PASS R/A CONNECTOR INTERNAL ASSY W/SHELL 0.8MM PITCH I/O | | SHEET NO. 6 OF 12 | |
| | | ANGULAR ±1/2° | | CHECKED BY JSWENSON DATE 02/09/05 | | APPROVED BY MBANAKIS DATE 02/02/05 | | MOLEX MOLEX INCORPORATED | |
| | | DRAFT WHERE APPLICABLE MUST REMAIN WITHIN DIMENSIONS | | MATERIAL NO. SEE CHART | | DOCUMENT NO. SD-75783-001 | | THIS DRAWING CONTAINS INFORMATION THAT IS PROPRIETARY TO MOLEX INCORPORATED AND SHOULD NOT BE USED WITHOUT WRITTEN PERMISSION | |

50 CIRCUIT ITEM NUMBERS

| CIRCUIT SIZE | ITEM NUMBER | PLATING OPTION | SHELL PCB OPTION | SHELL KEY OPTION |
|--------------|-------------|----------------|------------------|------------------|
| 50 | 75783-0207 | OPTION 1 | RETENTION | LEFT |
| 50 | 75783-0208 | OPTION 1 | RETENTION | RIGHT |
| 50 | 75783-0209 | OPTION 1 | RETENTION | DUAL |
| 50 | 75783-0210 | OPTION 1 | SMT | LEFT |
| 50 | 75783-0211 | OPTION 1 | SMT | RIGHT |
| 50 | 75783-0212 | OPTION 1 | SMT | DUAL |
| 50 | 75783-0219 | OPTION 2 | RETENTION | LEFT |
| 50 | 75783-0220 | OPTION 2 | RETENTION | RIGHT |
| 50 | 75783-0221 | OPTION 2 | RETENTION | DUAL |
| 50 | 75783-0222 | OPTION 2 | SMT | LEFT |
| 50 | 75783-0223 | OPTION 2 | SMT | RIGHT |
| 50 | 75783-0224 | OPTION 2 | SMT | DUAL |
| 50 | 75783-0225 | OPTION 1 | RETENTION | UNIVERSAL |
| 50 | 75783-0226 | OPTION 1 | SMT | UNIVERSAL |
| 50 | 75783-0227 | OPTION 2 | RETENTION | UNIVERSAL |
| 50 | 75783-0228 | OPTION 2 | SMT | UNIVERSAL |
| 50 | 75783-0229 | OPTION 1 | T/H 1.96 | LEFT |
| 50 | 75783-0230 | OPTION 1 | T/H 1.96 | RIGHT |
| 50 | 75783-0231 | OPTION 1 | T/H 1.96 | DUAL |
| 50 | 75783-0232 | OPTION 1 | T/H 1.96 | UNIVERSAL |
| 50 | 75783-0233 | OPTION 2 | T/H 1.96 | LEFT |
| 50 | 75783-0234 | OPTION 2 | T/H 1.96 | RIGHT |
| 50 | 75783-0235 | OPTION 2 | T/H 1.96 | DUAL |
| 50 | 75783-0236 | OPTION 2 | T/H 1.96 | UNIVERSAL |

| CIRCUIT SIZE | ITEM NUMBER | PLATING OPTION | SHELL PCB OPTION | SHELL KEY OPTION |
|--------------|-------------|----------------|------------------|------------------|
| 50 | 75783-0237 | OPTION 1 | T/H 2.79 | LEFT |
| 50 | 75783-0238 | OPTION 1 | T/H 2.79 | RIGHT |
| 50 | 75783-0239 | OPTION 1 | T/H 2.79 | DUAL |
| 50 | 75783-0240 | OPTION 1 | T/H 2.79 | UNIVERSAL |
| 50 | 75783-0241 | OPTION 2 | T/H 2.79 | LEFT |
| 50 | 75783-0242 | OPTION 2 | T/H 2.79 | RIGHT |
| 50 | 75783-0243 | OPTION 2 | T/H 2.79 | DUAL |
| 50 | 75783-0244 | OPTION 2 | T/H 2.79 | UNIVERSAL |
| 50 | 75783-0245 | OPTION 1 | T/H 3.18 | LEFT |
| 50 | 75783-0246 | OPTION 1 | T/H 3.18 | RIGHT |
| 50 | 75783-0247 | OPTION 1 | T/H 3.18 | DUAL |
| 50 | 75783-0248 | OPTION 1 | T/H 3.18 | UNIVERSAL |
| 50 | 75783-0249 | OPTION 2 | T/H 3.18 | LEFT |
| 50 | 75783-0250 | OPTION 2 | T/H 3.18 | RIGHT |
| 50 | 75783-0251 | OPTION 2 | T/H 3.18 | DUAL |
| 50 | 75783-0252 | OPTION 2 | T/H 3.18 | UNIVERSAL |

iPass™ IS A TRADEMARK OF MOLEX

| SEE SHEET 1 EC NO: UCP2010-1913 DRW:KLANG 2010/02/03 CHKD:JWENSON 2010/03/24 APPR:MBANAKIS 2010/03/25 | DESCRIPTION REV: D1 | QUALITY SYMBOLS ▽=0 ▽=0 | GENERAL TOLERANCES (UNLESS SPECIFIED) <table border="1"> <tr> <th></th> <th>mm</th> <th>INCH</th> </tr> <tr> <td>4 PLACES</td> <td>± .005</td> <td>± .0002</td> </tr> <tr> <td>3 PLACES</td> <td>± .005</td> <td>± .0002</td> </tr> <tr> <td>2 PLACES</td> <td>± 0.13</td> <td>± .005</td> </tr> <tr> <td>1 PLACE</td> <td>± 0.25</td> <td>± .010</td> </tr> </table> ANGULAR ±1/2° | | mm | INCH | 4 PLACES | ± .005 | ± .0002 | 3 PLACES | ± .005 | ± .0002 | 2 PLACES | ± 0.13 | ± .005 | 1 PLACE | ± 0.25 | ± .010 | DIMENSION STYLE MM ONLY DRAWN BY: KLANG DATE: 02/09/05 CHECKED BY: JSWENSON DATE: 02/09/05 APPROVED BY: MBANAKIS DATE: 02/02/05 | SCALE: 2:1 DESIGN UNITS: METRIC THIRD ANGLE PROJECTION | TITLE I-PASS R/A CONNECTOR INTERNAL ASSY W/SHELL 0.8MM PITCH I/O |
|---|------------------------|-------------------------------|--|---|----------------------|------|----------|--------|---------|----------|--------|---------|----------|--------|--------|---------|--------|--------|--|--|--|
| | | | mm | INCH | | | | | | | | | | | | | | | | | |
| | | 4 PLACES | ± .005 | ± .0002 | | | | | | | | | | | | | | | | | |
| | | 3 PLACES | ± .005 | ± .0002 | | | | | | | | | | | | | | | | | |
| 2 PLACES | ± 0.13 | ± .005 | | | | | | | | | | | | | | | | | | | |
| 1 PLACE | ± 0.25 | ± .010 | | | | | | | | | | | | | | | | | | | |
| DRAFT WHERE APPLICABLE MUST REMAIN WITHIN DIMENSIONS | | | MATERIAL NO. SEE CHART | DOCUMENT NO. SD-75783-001 | SHEET NO. 7 OF 12 | | | | | | | | | | | | | | | | |
| | | | SIZE: C | THIS DRAWING CONTAINS INFORMATION THAT IS PROPRIETARY TO MOLEX INCORPORATED AND SHOULD NOT BE USED WITHOUT WRITTEN PERMISSION | | | | | | | | | | | | | | | | | |
| | | | | | | | | | | | | | | | | | | | | | |

68 CIRCUIT ITEM NUMBERS

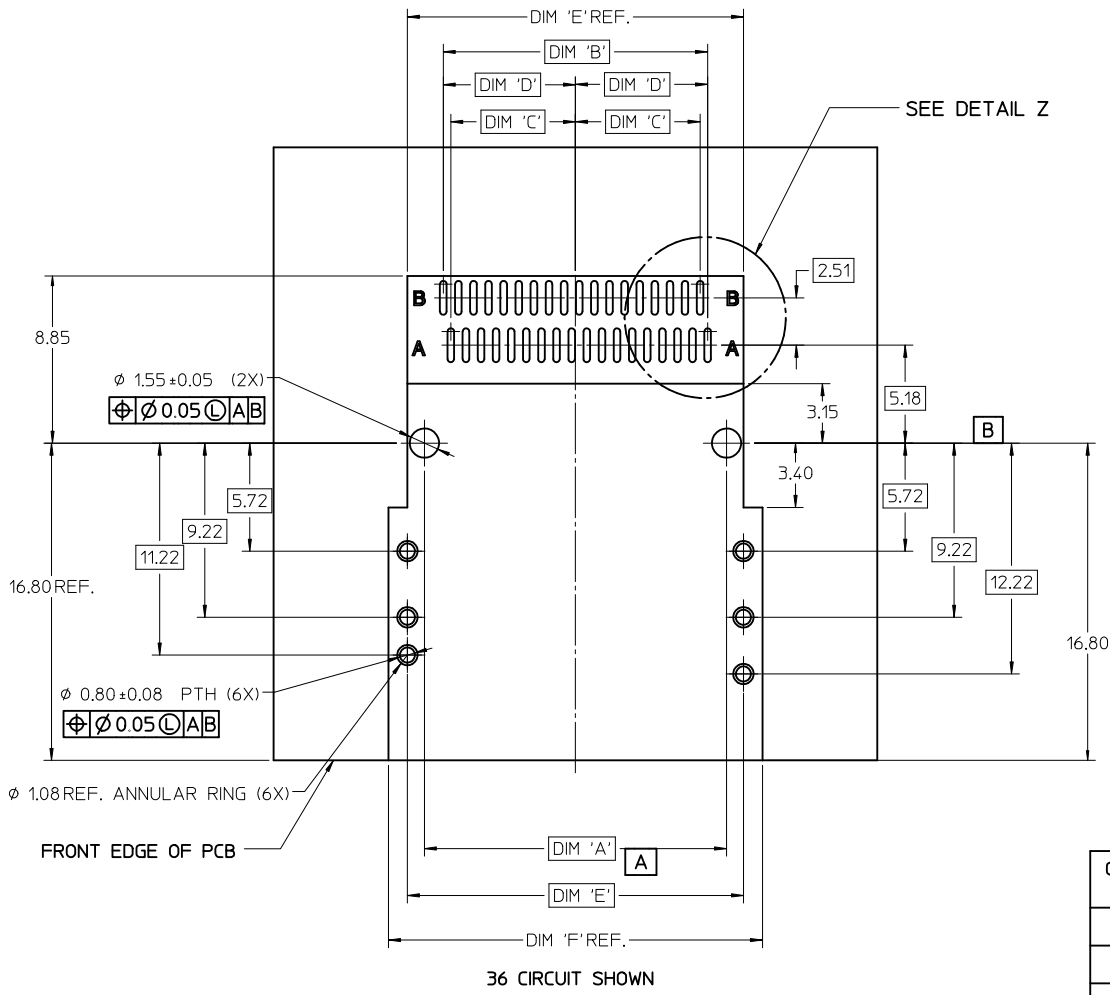
| CIRCUIT SIZE | ITEM NUMBER | PLATING OPTION | SHELL PCB OPTION | SHELL KEY OPTION |
|--------------|-------------|----------------|------------------|------------------|
| 68 | 75783-0307 | OPTION 1 | RETENTION | LEFT |
| 68 | 75783-0308 | OPTION 1 | RETENTION | RIGHT |
| 68 | 75783-0309 | OPTION 1 | RETENTION | DUAL |
| 68 | 75783-0310 | OPTION 1 | SMT | LEFT |
| 68 | 75783-0311 | OPTION 1 | SMT | RIGHT |
| 68 | 75783-0312 | OPTION 1 | SMT | DUAL |
| 68 | 75783-0319 | OPTION 2 | RETENTION | LEFT |
| 68 | 75783-0320 | OPTION 2 | RETENTION | RIGHT |
| 68 | 75783-0321 | OPTION 2 | RETENTION | DUAL |
| 68 | 75783-0322 | OPTION 2 | SMT | LEFT |
| 68 | 75783-0323 | OPTION 2 | SMT | RIGHT |
| 68 | 75783-0324 | OPTION 2 | SMT | DUAL |
| 68 | 75783-0325 | OPTION 1 | RETENTION | UNIVERSAL |
| 68 | 75783-0326 | OPTION 1 | SMT | UNIVERSAL |
| 68 | 75783-0327 | OPTION 2 | RETENTION | UNIVERSAL |
| 68 | 75783-0328 | OPTION 2 | SMT | UNIVERSAL |
| 68 | 75783-0329 | OPTION 1 | T/H 1.96 | LEFT |
| 68 | 75783-0330 | OPTION 1 | T/H 1.96 | RIGHT |
| 68 | 75783-0331 | OPTION 1 | T/H 1.96 | DUAL |
| 68 | 75783-0332 | OPTION 1 | T/H 1.96 | UNIVERSAL |
| 68 | 75783-0333 | OPTION 2 | T/H 1.96 | LEFT |
| 68 | 75783-0334 | OPTION 2 | T/H 1.96 | RIGHT |
| 68 | 75783-0335 | OPTION 2 | T/H 1.96 | DUAL |
| 68 | 75783-0336 | OPTION 2 | T/H 1.96 | UNIVERSAL |

| CIRCUIT SIZE | ITEM NUMBER | PLATING OPTION | SHELL PCB OPTION | SHELL KEY OPTION |
|--------------|-------------|----------------|------------------|------------------|
| 68 | 75783-0337 | OPTION 1 | T/H 2.79 | LEFT |
| 68 | 75783-0338 | OPTION 1 | T/H 2.79 | RIGHT |
| 68 | 75783-0339 | OPTION 1 | T/H 2.79 | DUAL |
| 68 | 75783-0340 | OPTION 1 | T/H 2.79 | UNIVERSAL |
| 68 | 75783-0341 | OPTION 2 | T/H 2.79 | LEFT |
| 68 | 75783-0342 | OPTION 2 | T/H 2.79 | RIGHT |
| 68 | 75783-0343 | OPTION 2 | T/H 2.79 | DUAL |
| 68 | 75783-0344 | OPTION 2 | T/H 2.79 | UNIVERSAL |
| 68 | 75783-0345 | OPTION 1 | T/H 3.18 | LEFT |
| 68 | 75783-0346 | OPTION 1 | T/H 3.18 | RIGHT |
| 68 | 75783-0347 | OPTION 1 | T/H 3.18 | DUAL |
| 68 | 75783-0348 | OPTION 1 | T/H 3.18 | UNIVERSAL |
| 68 | 75783-0349 | OPTION 2 | T/H 3.18 | LEFT |
| 68 | 75783-0350 | OPTION 2 | T/H 3.18 | RIGHT |
| 68 | 75783-0351 | OPTION 2 | T/H 3.18 | DUAL |
| 68 | 75783-0352 | OPTION 2 | T/H 3.18 | UNIVERSAL |

iPass™ IS A TRADEMARK OF MOLEX

| | | | | | | | | | |
|--|-------------------------------|--|-------|--|---------------------|---|------------------------|--|--|
| SEE SHEET 1 EC NO: UCP2010-1913 DRWN: KLANG 2010/02/03 CHKD: JSWENSON 2010/03/24 APPR: MBANAKIS 2010/03/25 | QUALITY SYMBOLS ▽=0 ▽=0 | GENERAL TOLERANCES (UNLESS SPECIFIED) | | DIMENSION STYLE MM ONLY | SCALE 2:1 | DESIGN UNITS METRIC | THIRD ANGLE PROJECTION | | |
| | | | | DRAWN BY KLANG | DATE 02/09/05 | I-PASS R/A CONNECTOR INTERNAL ASSY W/SHELL 0.8MM PITCH I/O MOLEX INCORPORATED | | | |
| | | 4 PLACES ± --- | ± --- | CHECKED BY JSWENSON | DATE 02/09/05 | | | | |
| | | 3 PLACES ± --- | ± --- | APPROVED BY MBANAKIS | DATE 02/02/05 | | | | |
| 2 PLACES ± 0.13 | ± --- | ANGULAR ±1/2° | | MATERIAL NO. | | DOCUMENT NO. | | | |
| 1 PLACE ± 0.25 | ± --- | DRAFT WHERE APPLICABLE MUST REMAIN WITHIN DIMENSIONS | | SEE CHART | | SD-75783-001 | | | |
| | | SIZE | | THIS DRAWING CONTAINS INFORMATION THAT IS PROPRIETARY TO MOLEX INCORPORATED AND SHOULD NOT BE USED WITHOUT WRITTEN PERMISSION | | | | | |
| D1 | REV | | | | | SHEET NO. 8 OF 12 | | | |

RIGHT ANGLE CONNECTOR WITH RETENTION FIT & THRU-HOLE SHELL PCB FOOT PRINT



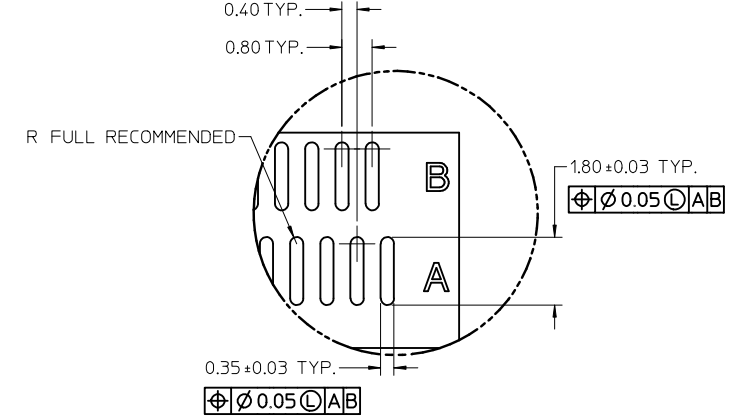
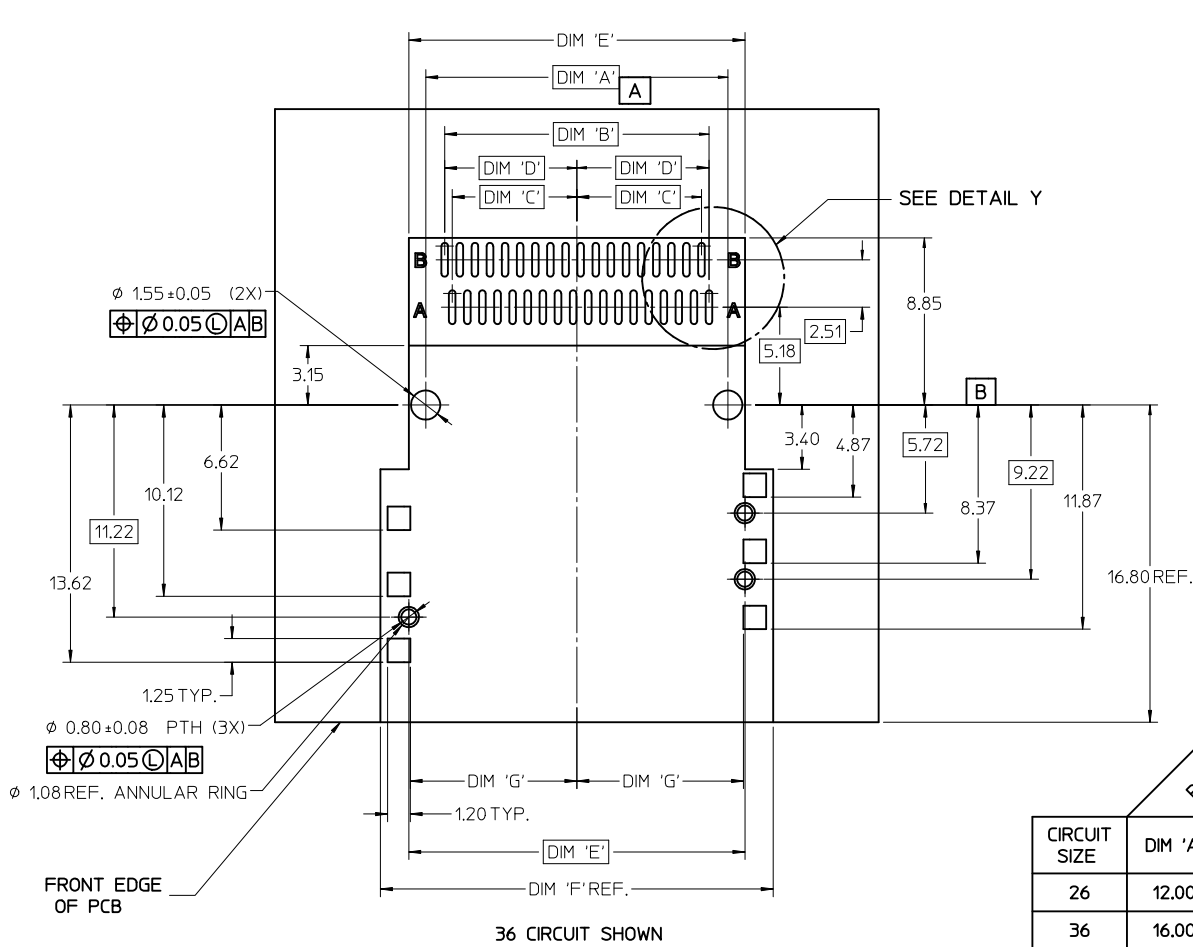
| CIRCUIT SIZE | DIMENSIONS | | | | | |
|--------------|------------|-----------------------|-------------------|-------------------|----------------------------------|-----------------------|
| | Peg to Peg | First Pad to Last Pad | Centerline to Pad | Centerline to Pad | Connector Width Shell Peg to Peg | Shell Footprint Width |
| | DIM 'A' | DIM 'B' | DIM 'C' | DIM 'D' | DIM 'E' | DIM 'F' |
| 26 | 12.00 | 10.00 | 4.60 | 5.00 | 13.80 | 15.80 |
| 36 | 16.00 | 14.00 | 6.60 | 7.00 | 17.80 | 19.80 |
| 50 | 21.60 | 19.60 | 9.40 | 9.80 | 23.40 | 25.40 |
| 68 | 28.80 | 26.80 | 13.00 | 13.40 | 30.60 | 32.60 |

iPass™ IS A TRADEMARK OF MOLEX

| | | | | | | | | | | | | | |
|--|--|--------------------------|-------------------------------|--|--|----------------------------|--|------------------------------|------------------------|--|--|--|--|
| SEE SHEET 1 EC NO: UCP2010-1913 DRW: KLK CHKD: JSWENSON APPR: MBANAKIS | 2010/02/03 2010/03/24 2010/03/25 | DESCRIPTION REV D1 | QUALITY SYMBOLS ▽=0 ▽=0 | GENERAL TOLERANCES (UNLESS SPECIFIED) | | DIMENSION STYLE MM ONLY | | SCALE 5:1 | DESIGN UNITS METRIC | THIRD ANGLE PROJECTION | | | |
| | | | | DRAFT WHERE APPLICABLE MUST REMAIN WITHIN DIMENSIONS | | DRAWN BY KLK | | DATE 02/09/05 | | I-PASS R/A CONNECTOR INTERNAL ASSY W/SHELL 0.8MM PITCH I/O MOLEX INCORPORATED | | | |
| | | | | MATERIAL NO. SEE CHART | | CHECKED BY JSWENSON | | DATE 02/09/05 | | | | | |
| | | | | APPROVED BY MBANAKIS | | DATE 02/02/05 | | DOCUMENT NO. SD-75783-001 | | SHEET NO. 9 OF 12 | | | |

THIS DRAWING CONTAINS INFORMATION THAT IS PROPRIETARY TO MOLEX INCORPORATED AND SHOULD NOT BE USED WITHOUT WRITTEN PERMISSION

RIGHT ANGLE CONNECTOR WITH SMT SHELL PCB FOOT PRINT

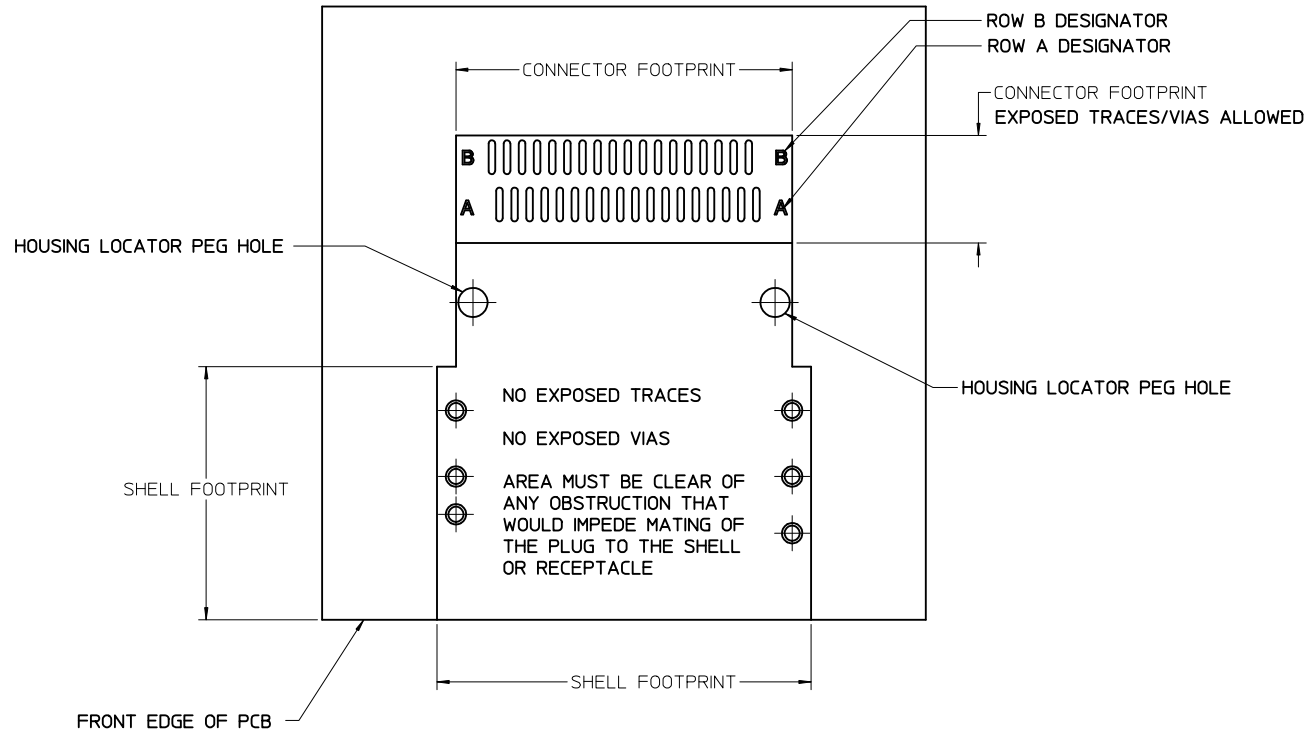


| | PEG TO PEG | FIRST PAD TO LAST PAD | CENTERLINE TO PAD | CENTERLINE TO PAD | CONNECTOR WIDTH SHELL PEG TO PEG | SHELL FOOTPRINT WIDTH | CENTERLINE TO PAD EDGE |
|--------------|------------|-----------------------|-------------------|-------------------|----------------------------------|-----------------------|------------------------|
| CIRCUIT SIZE | DIM 'A' | DIM 'B' | DIM 'C' | DIM 'D' | DIM 'E' | DIM 'F' | DIM 'G' |
| 26 | 12.00 | 10.00 | 4.60 | 5.00 | 13.80 | 16.80 | 6.825 |
| 36 | 16.00 | 14.00 | 6.60 | 7.00 | 17.80 | 20.80 | 8.825 |
| 50 | 21.60 | 19.60 | 9.40 | 9.80 | 23.40 | 26.40 | 11.625 |
| 68 | 28.80 | 26.80 | 13.00 | 13.40 | 30.60 | 33.60 | 15.225 |

iPass™ IS A TRADEMARK OF MOLEX

| | | | | | | | | | | |
|--|-------------------------------|---------------------------------------|--|-----------------------------------|------------------|--------------|---|------------------------|--|--|
| SEE SHEET 1 EC NO: UCP2010-1913 DRW: KLK CHKD: JSWENSON APPR: MBANAK I S 2010/02/03 2010/03/24 2010/03/25 | QUALITY SYMBOLS ▽=0 ▽=0 | GENERAL TOLERANCES (UNLESS SPECIFIED) | | DIMENSION STYLE MM ONLY | | SCALE 5:1 | DESIGN UNITS METRIC | THIRD ANGLE PROJECTION | | |
| | | | | DRAWN BY KLANG | DATE 02/09/05 | | I-PASS R/A CONNECTOR INTERNAL ASSY W/SHELL 0.8MM PITCH I/O MOLEX INCORPORATED | | | |
| | | | | CHECKED BY JSWENSON | DATE 02/09/05 | | | | | |
| | | | | APPROVED BY MBANAK I S | DATE 02/02/05 | | | | | |
| | | ANGULAR ±1/2° | | MATERIAL NO. | | DOCUMENT NO. | | SHEET NO. | | |
| DRAFT WHERE APPLICABLE MUST REMAIN WITHIN DIMENSIONS | | SEE CHART | | SD-75783-001 | | 10 OF 12 | | | | |
| THIS DRAWING CONTAINS INFORMATION THAT IS PROPRIETARY TO MOLEX INCORPORATED AND SHOULD NOT BE USED WITHOUT WRITTEN PERMISSION | | | | | | | | | | |

RIGHT ANGLE CONNECTOR WITH SHELL PCB FOOT PRINT DESCRIPTIONS



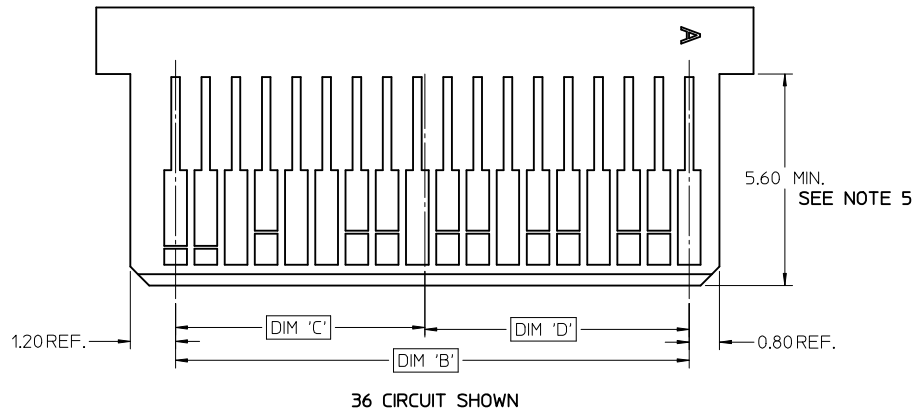
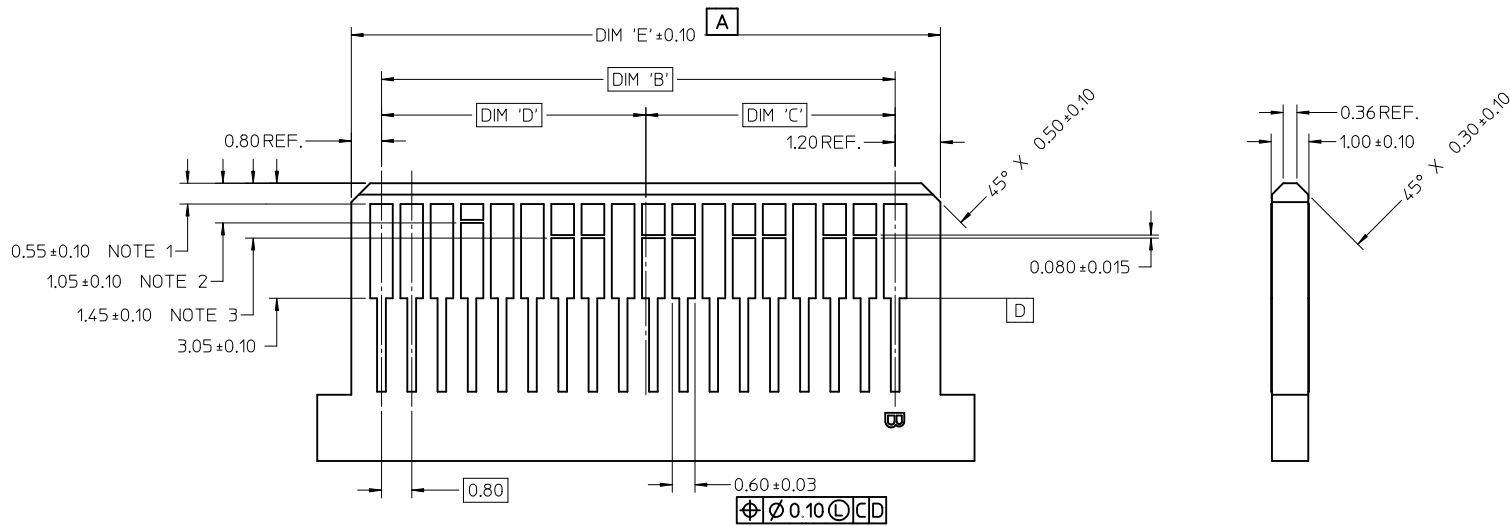
36 CIRCUIT SHOWN

NOTE: IF RECEPTACLE AND SHELL ARE NOT PLACED AT EDGE OF PCB AS SHOWN, ADDITIONAL CLEARANCE IS NEEDED FOR BODY OF PLUG AND CABLE

iPass™ IS A TRADEMARK OF MOLEX

| | | | | | | | | | | |
|--|-------------------------------|---------------------------------------|-------|-----------------------------------|-------|---|------------------------|--|--|--|
| SEE SHEET 1 EC NO: UCP2010-1913 DRW/KLANG 2010/02/03 CHKD:JSWENSON 2010/03/24 APPR:MBANAKIS 2010/03/25 | QUALITY SYMBOLS ▽=0 ▽=0 | GENERAL TOLERANCES (UNLESS SPECIFIED) | | DIMENSION STYLE MM ONLY | | SCALE 5:1 | DESIGN UNITS METRIC | THIRD ANGLE PROJECTION | | |
| | | | | | | DRAWN BY KLANG | DATE 02/09/05 | TITLE I-PASS R/A CONNECTOR INTERNAL ASSY W/SHELL 0.8MM PITCH I/O | | |
| | | 4 PLACES ± --- | ± --- | ± --- | ± --- | CHECKED BY JSWENSON | DATE 02/09/05 | | | |
| | | 3 PLACES ± --- | ± --- | ± --- | ± --- | APPROVED BY MBANAKIS | DATE 02/02/05 | | | |
| 2 PLACES ± 0.13 | ± --- | ± --- | ± --- | MATERIAL NO. | | DOCUMENT NO. | | SHEET NO. | | |
| 1 PLACE ± 0.25 | ± --- | ± --- | ± --- | ANGULAR ± 1/2° | | SD-75783-001 | | 11 OF 12 | | |
| DRAFT WHERE APPLICABLE MUST REMAIN WITHIN DIMENSIONS | | | | SEE CHART | | | | | | |
| | | | | SIZE C | | THIS DRAWING CONTAINS INFORMATION THAT IS PROPRIETARY TO MOLEX INCORPORATED AND SHOULD NOT BE USED WITHOUT WRITTEN PERMISSION | | | | |

MATING INTERFACE (FOR REFERENCE ONLY)



- NOTES:**
- PAD CONFIGURATION FOR FIRST MATE.
 - PAD CONFIGURATION FOR SECOND MATE.
 - PAD CONFIGURATION FOR THIRD MATE.
(HIGH SPEED SIGNALS)
 - FOR PIN ASSIGNMENTS AND MATING SEQUENCE
(1ST, 2ND, 3RD), SEE APPLICABLE SPECIFICATION.
 - MINIMUM STEP REQUIRED IF PCB MADE WIDER THAN TOUNGE.

| CIRCUIT SIZE | TERM/SIDE 'N' | DIM 'B' | DIM 'C' | DIM 'D' | DIM 'E' |
|--------------|---------------|---------|---------|---------|---------|
| 26 | 13 | 9.60 | 4.60 | 5.00 | 11.60 |
| 36 | 18 | 13.60 | 6.60 | 7.00 | 15.60 |
| 50 | 25 | 19.20 | 9.40 | 9.80 | 21.20 |
| 68 | 34 | 26.40 | 13.00 | 13.40 | 28.40 |

iPass™ IS A TRADEMARK OF MOLEX

| | | | | | | | | |
|--|-------------------------------|---------------------------------------|----------------------|-----------------------------------|----------------------|--|------------------------|-----------------------|
| SEE SHEET 1 EC NO: UCP2010-1913 DRW:KLANG 2010/02/03 CHKD:JSWENSON 2010/03/24 APPR:MBANAKIS 2010/03/25 | QUALITY SYMBOLS ▽=0 ▽=0 | GENERAL TOLERANCES (UNLESS SPECIFIED) | | DIMENSION STYLE MM ONLY | SCALE 10:1 | DESIGN UNITS METRIC | THIRD ANGLE PROJECTION | |
| | | 4 PLACES ± --- ± --- | 3 PLACES ± --- ± --- | DRAWN BY KLANG | DATE 02/09/05 | TITLE I-PASS R/A CONNECTOR INTERNAL ASSY W/SHELL 0.8MM PITCH I/O | | |
| | | 2 PLACES ± 0.13 ± --- | 1 PLACE ± 0.25 ± --- | CHECKED BY JSWENSON | DATE 02/09/05 | | | |
| | | ANGULAR ± 1/2° | | APPROVED BY MBANAKIS | DATE 02/02/05 | MOLEX INCORPORATED DOCUMENT NO. SD-75783-001 | | SHEET NO. 12 OF 12 |
| DRAFT WHERE APPLICABLE MUST REMAIN WITHIN DIMENSIONS | | SEE CHART | | | | | | |

THIS DRAWING CONTAINS INFORMATION THAT IS PROPRIETARY TO MOLEX INCORPORATED AND SHOULD NOT BE USED WITHOUT WRITTEN PERMISSION