

**PLEASE CHECK WWW.MOLEX.COM FOR LATEST PART INFORMATION**

**Part Number:** **0678038040**  
**Status:** **Active**  
**Overview:** [usb\\_otg\\_onthego](#)  
**Description:** Universal Serial Bus (USB) On-The-Go (OTG) Mini-AB Receptacle, Right Angle, Surface Mount Solder Tails and Shell Tabs, with Plastic Pegs, Color Gray, Lead Free

**Documents:**

[3D Model](#) [Product Specification PS-67803-001 \(PDF\)](#)  
[Drawing \(PDF\)](#) [RoHS Certificate of Compliance \(PDF\)](#)

**General**

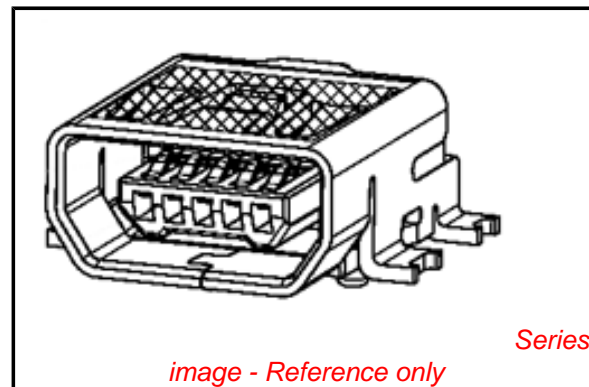
Product Family	I/O Connectors
Series	<a href="#">67803</a>
Application	Wire-to-Board
Component Type	Receptacle
Overview	<a href="#">usb_otg_onthego</a>
Product Name	USB, USB OTG (On-The-Go)
Type	Mini-AB (OTG)

**Physical**

Boot Color	N/A
Circuits (Loaded)	5
Circuits (maximum)	5
Color - Resin	Gray
Lock to Mating Part	Yes
Material - Metal	Copper Alloy
Material - Plating Mating	Gold
Material - Plating Termination	Tin
Material - Resin	Nylon
Number of Rows	1
Orientation	Right Angle
PCB Locator	Yes
PCB Retention	Yes
Packaging Type	Embossed Tape on Reel
Panel Mount	No
Pitch - Mating Interface (in)	0.031 In
Pitch - Mating Interface (mm)	0.80 mm
Pitch - Term. Interface (in)	0.031 In
Pitch - Term. Interface (mm)	0.80 mm
Plating min: Mating (µin)	30
Plating min: Mating (µm)	0.75
Plating min: Termination (µin)	150
Plating min: Termination (µm)	3.80
Polarized to Mating Part	Yes
Polarized to PCB	Yes
Ports	1
Temperature Range - Operating	0°C to +50°C
Termination Interface: Style	Surface Mount
Waterproof / Dustproof	No
Wire Size AWG	N/A

**Electrical**

Current - Maximum per Contact	1A
Shielded	Yes
Voltage - Maximum	30V



**EU RoHS**

**ELV and RoHS  
Compliant**  
**REACH SVHC**  
 Not Reviewed  
**Halogen-Free  
Status**

**China RoHS**



**Need more information on product  
environmental compliance?**

Email [productcompliance@molex.com](mailto:productcompliance@molex.com)  
 For a multiple part number RoHS Certificate of Compliance, [click here](#)

Please visit the [Contact Us](#) section for any non-product compliance questions.

**Search Parts in this Series**

[67803Series](#)

**Mates With**

USB OTG mini-A plug, USB OTG mini-B plug, [88753](#) Cable Assembly

**Material Info**

**Reference - Drawing Numbers**

Product Specification

PS-67803-001

Sales Drawing

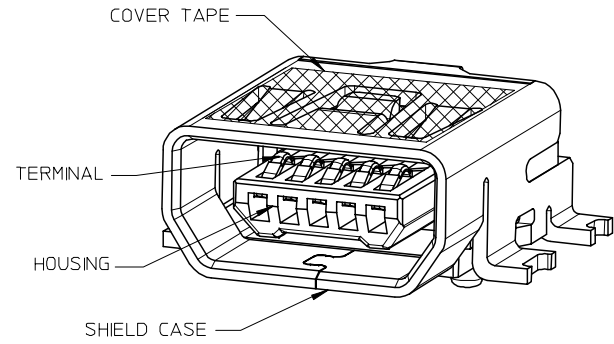
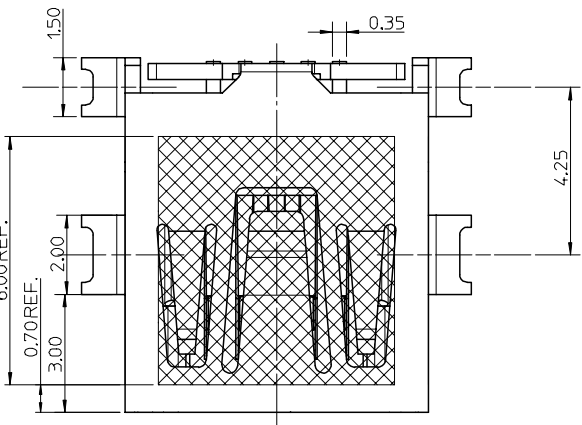
SD-67803-005

This document was generated on 05/19/2010

**PLEASE CHECK [WWW.MOLEX.COM](http://WWW.MOLEX.COM) FOR LATEST PART INFORMATION**

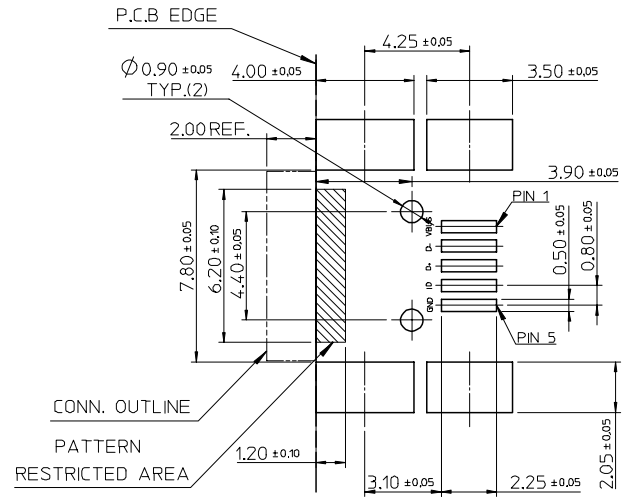
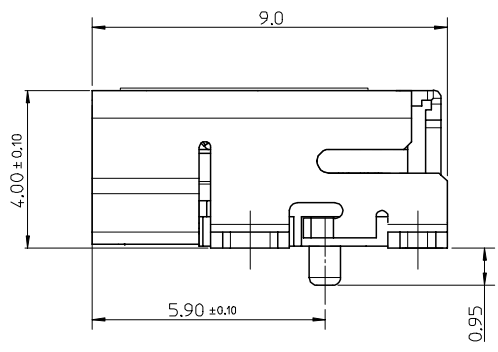
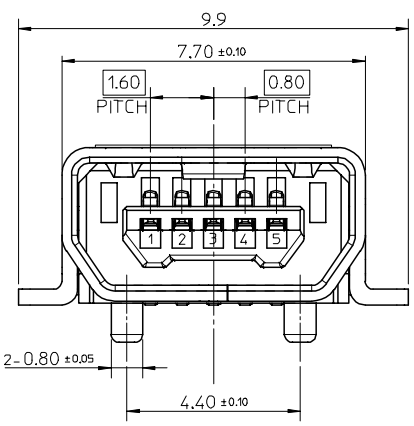
10 9 8 7 6 5 4 3 2 1

F  
E  
D  
C  
B  
A



NOTE :

1. MATERIAL :  
 HOUSING : NYLON GLASS FILLED , GRAY,UL94V-0  
 TERMINAL : COPPER ALLOY THICKNESS = 0.2 MM  
 SHIELD CASE : COPPER ALLOY THICKNESS = 0.4 MM
2. PLATING :  
 TERMINAL:  
 CONTACT AREA : GOLD 0.75 MICROMETER MINIMUM.  
 SOLDER TAIL AREA : PURE TIN 3.8 MICROMETER MINIMUM.  
 UNDER PLATING : NICKEL 1.25 MICROMETER MINIMUM.  
 SHIELD CASE :  
 PURE TIN 1~3 MICROMETER MINIMUM.  
 UNDER PLATING : NICKEL 1.0 MICROMETER MINIMUM.
3. TAIL & NAIL COPLANARITY 0.1 mm MAXIMUM.



RECOMMENDED P.C.B. PATTERN LAYOUT

REVISE EC NO: SH2006-0852 DRWN: XJSONG 2006/06/30 CHKD: IWANG 2006/07/04 APPR: JNCHEN 2006/07/05	QUALITY SYMBOLS ▽=0 ▽=0	GENERAL TOLERANCES (UNLESS SPECIFIED)		DIMENSION STYLE MM ONLY		SCALE 8:1	DESIGN UNITS METRIC	THIRD ANGLE PROJECTION			
		4 PLACES ± --- ± ---	3 PLACES ± --- ± ---	2 PLACES ± 0.25 ± ---	1 PLACE ± 0.25 ± ---	ANGULAR ± 3 °	DRAWN BY XJSONG	DATE 2006/04/26	TITLE USB SERIES MINI-AB REC. ASS'Y SMT TYPE (LEAD-FREE)		
		DRAFT WHERE APPLICABLE MUST REMAIN WITHIN DIMENSIONS					APPROVED BY JNCHEN	DATE 2006/04/26	MOLEX INCORPORATED		
		MATERIAL NO. 67803-8040		DOCUMENT NO. SD-67803-005		SHEET NO. 1 OF 1					

9 8 7 6 5 4 3 2 1