

PLEASE CHECK WWW.MOLEX.COM FOR LATEST PART INFORMATION

Part Number: [0496241090](#)
Status: **Active**
Description: 4.20mm (.165") Wire-to-Wire TPA™ Connector for Female Housing, 10 Circuits, UL94V-2, White

Documents:

[3D Model](#) [Product Specification PS-49624-001 \(PDF\)](#)
[Drawing \(PDF\)](#) [RoHS Certificate of Compliance \(PDF\)](#)

Agency Certification

UL E29179

General

Product Family Crimp Housings
 Series [49624](#)
 Product Name N/A

Physical

Circuits (maximum) 10
 Circuits Detail 10
 Color - Resin White
 Flammability 94V-2
 Gender Female
 Glow-Wire Compliant No
 Keying to Mating Part None
 Lock to Mating Part Yes
 Material - Resin Nylon
 Number of Rows 2
 Packaging Type Bag
 Panel Mount No
 Pitch - Mating Interface (in) 0.165 In
 Pitch - Mating Interface (mm) 4.20 mm
 Polarized to Mating Part Yes
 Stackable No
 Temperature Range - Operating -40°C to +105°C

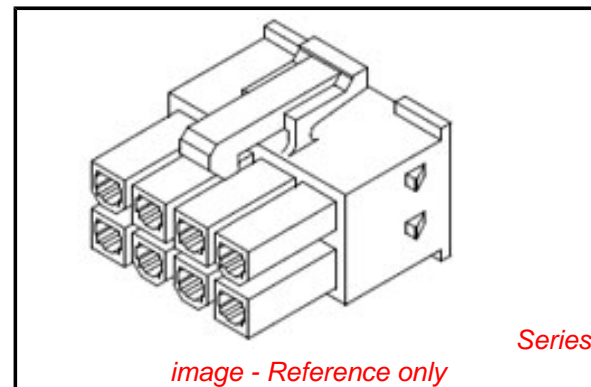
Electrical

Current - Maximum per Contact 6A

Material Info

Reference - Drawing Numbers

Product Specification PS-49624-001
 Sales Drawing SD-49624-001



EU RoHS

ELV and RoHS Compliant
REACH SVHC
Contains SVHC: No
Halogen-Free Status

China RoHS



Need more information on product environmental compliance?

Email productcompliance@molex.com
 For a multiple part number RoHS Certificate of Compliance, [click here](#)

Please visit the [Contact Us](#) section for any non-product compliance questions.

Search Parts in this Series

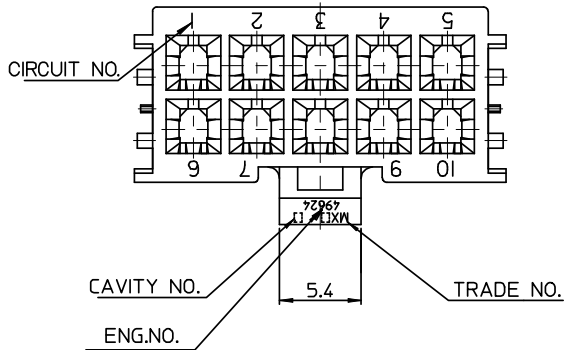
[49624Series](#)

Mates With

4.20mm (.165") Wire-to-Wire Male TPA™
[49623](#) , [49627](#)

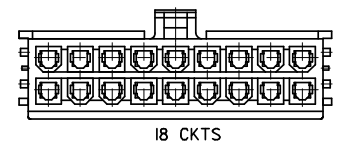
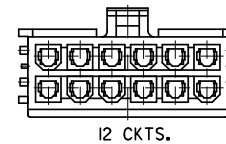
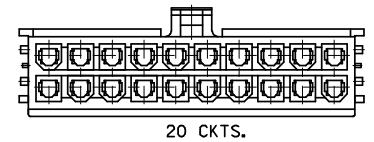
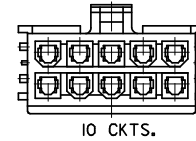
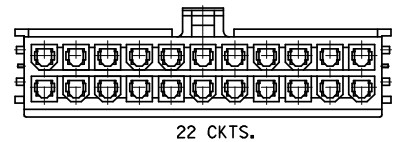
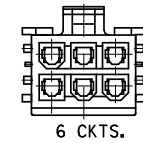
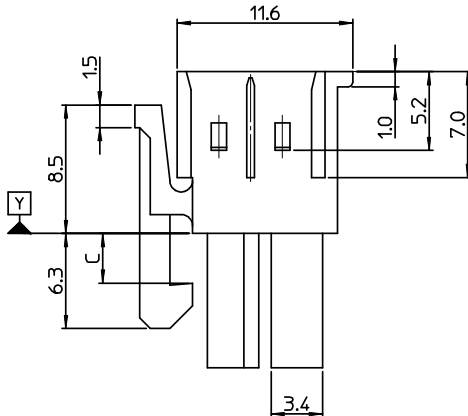
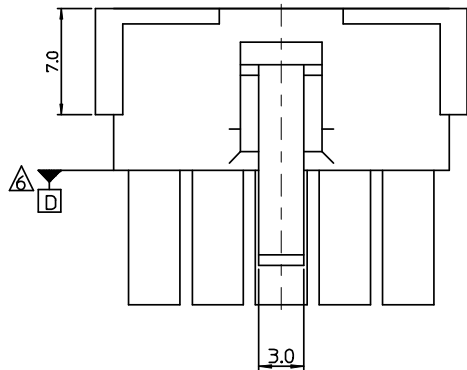
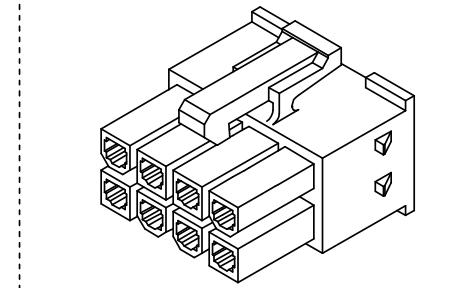
Use With

[5556](#) Mini-Fit® Crimp Terminal



NOTES

1. MATERIAL :
 - POLYAMID(PA66), UL94V-2, COLOR OF NATURAL
 - POLYAMID(PA66), UL94V-0, COLOR OF IVORY
2. APPLICABLE TERMINAL : SERIES 5556 T2A, 5556 T
3. MATE WITH : SERIES 49623, 49627
4. PRODUCT SPECIFICATION : PS-49623-001
5. PACKAGE SPECIFICATION : PK-49623-001
6. TO BE MEASURED AT POSITION OF "D" SURFACE



CIRCUIT SIZE LAYOUT

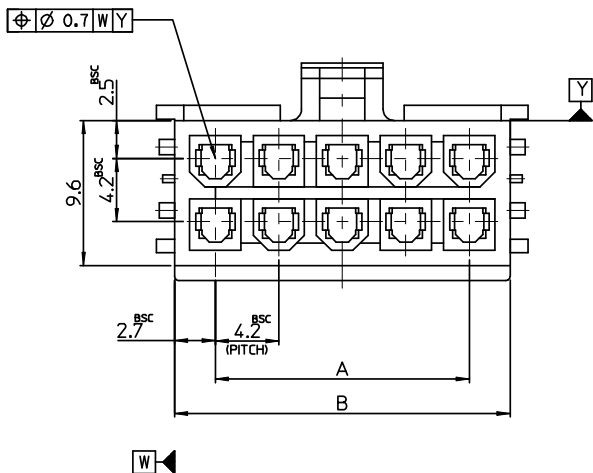


TABLE-1

| | | | | |
|-------------------------|--------------|-------------------------|--------------|--------------|
| 49624-2295 | 496242295 | 49624-2290 | 496242290 | 22 |
| 49624-2095 | 496242095 | 49624-2090 | 496242090 | 20 |
| 49624-1895 | 496241895 | 49624-1890 | 496241890 | 18 |
| 49624-1295 | 496241295 | 49624-1290 | 496241290 | 12 |
| 49624-1095 | 496241095 | 49624-1090 | 496241090 | 10 |
| 49624-0695 | 496240695 | 49624-0690 | 496240690 | 06 |
| ENG NO. | MATERIAL NO. | ENG NO. | MATERIAL NO. | CIRCUIT SIZE |
| POLYAMID(PA66), UL94V-0 | | POLYAMID(PA66), UL94V-2 | | |

| | | | |
|-----|------|------|---------|
| ▲ | 47.4 | 42 | 22 |
| 3.6 | 43.2 | 37.8 | 20 |
| ▼ | 39 | 33.6 | 18 |
| ▲ | 26.4 | 21 | 12 |
| 3.3 | 22.2 | 16.8 | 10 |
| ▼ | 13.8 | 8.4 | 6 |
| C | B | A | CIRCUIT |

| | | | | | | | | | | | |
|--|-------------------------------|---|--|---|--|--------------------------------------|------------------------|---|--|--|--|
| RELEASED EC NO: KOR2008-0134 DRWN:SKHAN01 2008/02/27 CHKD:WY YANG 2008/02/29 APPR:YUNSIKKIM 2008/02/29 | QUALITY SYMBOLS ▽=0 ▽=0 | GENERAL TOLERANCES (UNLESS SPECIFIED) | | DIMENSION STYLE MM ONLY | | SCALE 4:1 | DESIGN UNITS METRIC | THIRD ANGLE PROJECTION | | | |
| | | 4 PLACES ± --- ± --- 3 PLACES ± --- ± --- 2 PLACES ± 0.3 ± --- 1 PLACE ± 0.3 ± --- | mm INCH ± --- ± --- ± 0.3 ± --- ± 0.3 ± --- | DRAWN BY DATE SK.HAN 2008/01/28 | | CHECKED BY DATE WY.YANG 2008/0/28 | | TITLE 4.2MM W/W TPA CONN. FOR FEMALE HOUSING | | | |
| | | ANGULAR ± 3 ° | | APPROVED BY DATE EH. JUNG 2008/01/28 | | MOLEX INCORPORATED | | | | | |
| | | DRAFT WHERE APPLICABLE MUST REMAIN WITHIN DIMENSIONS | | MATERIAL NO. SEE TABLE | | DOCUMENT NO. SD-49624-001 | | SHEET NO. 1 OF 1 | | | |