

PLEASE CHECK WWW.MOLEX.COM FOR LATEST PART INFORMATION

Part Number: [0354279900](#)
Status: **Active**
Description: 6.00mm (.236") Tab Wire-to-Wire Terminal, Female, One-Piece Type, Wire Range AVS (CAVS) 2.00-3.00mm square (.079-.118"), Unplated

Documents:

[Drawing \(PDF\)](#) [Product Specification PS-35519-001 \(PDF\)](#)
[Product Specification PS-35270-001 \(PDF\)](#) [RoHS Certificate of Compliance \(PDF\)](#)
[Product Specification PS-35385-001 \(PDF\)](#)

General

Product Family Crimp Terminals
 Series [35427](#)
 Crimp Quality Equipment Yes
 Product Name N/A

Physical

Gender Female
 Material - Metal Brass
 Material - Plating Mating Unplated
 Packaging Type Reel
 Termination Interface: Style Crimp or Compression
 Wire Insulation Diameter 3.10-4.20mm (.122-.165")
 Wire Size AWG 12, 14
 Wire Size mm² N/A

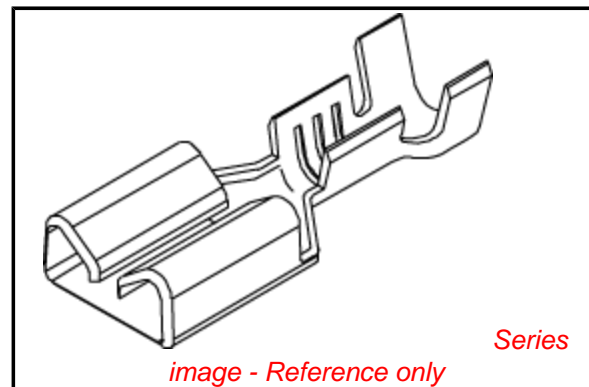
Electrical

Current - Maximum per Contact 20A

Material Info

Reference - Drawing Numbers

Product Specification PS-35270-001, PS-35385-001, PS-35519-001
 Sales Drawing SD-35427-002



EU RoHS

ELV and RoHS Compliant
REACH SVHC
Contains SVHC: No
Halogen-Free Status

China RoHS



Need more information on product environmental compliance?

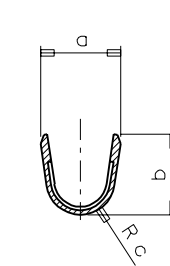
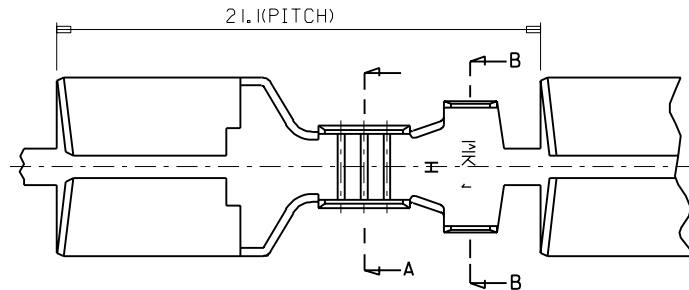
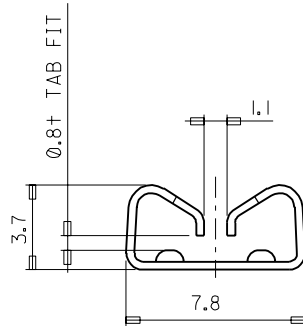
Email productcompliance@molex.com
 For a multiple part number RoHS Certificate of Compliance, [click here](#)

Please visit the [Contact Us](#) section for any non-product compliance questions.

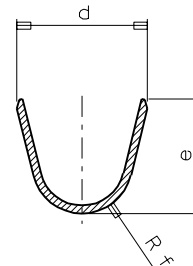
Search Parts in this Series
[35427Series](#)

Mates With
[35725 Terminal](#)

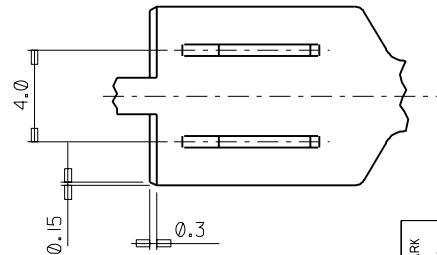
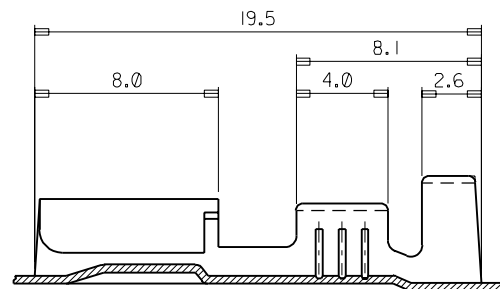
Use With
[35270 Housing](#)



SECTION A-A



SECTION B-B



PART NO.	a	b	Rc	d	e	Rf	WIRE RANGE (mmSQ)	Q'TY/REEL	FINISH	REMARK (OPTION)
35427-9700									UNPLATED	---
-9702	S	2.8	2.8	0.9	3.8	3.8	0.3 ± 0.5	5000	PLATED	---
-9710									UNPLATED	MARK "H"
35427-9800									UNPLATED	---
-9802	M	3.0	3.5	1.2	5.0	5.0	0.85 ± 1.25	5000	PLATED	---
-9810									UNPLATED	MARK "H"
35427-9900									UNPLATED	---
-9902	L	5.2	4.6	2.0	6.3	6.3	2.0 ± 3.0	4000	PLATED	---
-9910									UNPLATED	MARK "H"

NOTES

- MATERIAL : BRASS (C2600), THICK = 0.35mm
- TENSION (35427-970*,980*,990*)
 - INSERTION FORCE(INITIAL) : 1.0 ± 1.5 Kgf
 - WITHDRAWAL FORCE(6 TIMES) : 0.6Kgf MIN.
- TENSION (35427-971*,981*,991*) "H" MARK
 - INSERTION FORCE(INITIAL) : 1.5 ± 2.0 Kgf
 - WITHDRAWAL FORCE(6 TIMES) : 0.8Kgf MIN.

REV	DESCRIPTION	QUALITY SYMBOLS	GENERAL TOLERANCES: (UNLESS SPECIFIED)		SCALE 5:1	DESIGN UNITS <input checked="" type="checkbox"/> mm <input type="checkbox"/> INCH	THIRD ANGLE PROJECTION	DIMENSIONS:			SHT	REV
			mm	INCH				mm	INCH	mm ONLY		
B	ADDED TENSION & MARK EC NO. KOR2000-0068 DRWN: B.C.YOON 00/10/25 CHK: B.K.CHOI 00/10/25 APPR: C.W.LEE 00/10/25	MAJOR \blacktriangledown = 0 CRITICAL \blacktriangledown = 0	4 PLACES	$\pm 0.$	\pm	DRAWN BY & DATE J.K.OH 96/10/11	<input type="checkbox"/> mm <input type="checkbox"/> INCH <input checked="" type="checkbox"/> mm ONLY MOLEX INCORPORATED KOREA	TITLE: POWERMATE FEMALE TERMINAL (S,M,L)	MATERIAL NO. 35427-9***	DRAWING NO. SD-35427-002	SHEET NO. 1 OF 1	SIZE B
		3 PLACES	$\pm 0.$	\pm	CHECKED BY & DATE B.K.CHOI 96/10/11							
			2 PLACES	$\pm 0.$	\pm	APPROVED BY & DATE C.W.LEE 96/10/11						
			1 PLACE	± 0.3	\pm	CAD FILENAME sd35427.dgn						
DRAFT WHERE APPLICABLE MUST REMAIN WITHIN DIMENSIONS			ANGULAR: $\pm 3^\circ$			THIS DRAWING CONTAINS INFORMATION THAT IS PROPRIETARY TO MOLEX INCORPORATED AND SHOULD NOT BE USED WITHOUT WRITTEN PERMISSION.						