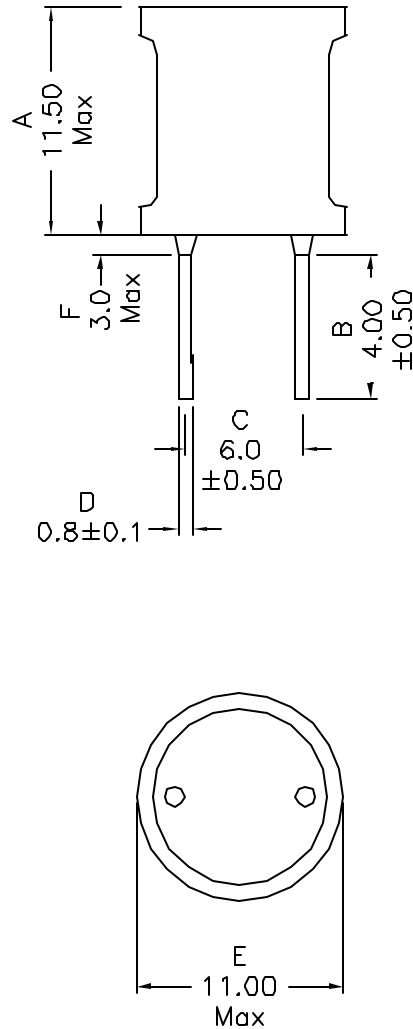


1. Mechanical Dimensions:



2. Schematic:



3. Electrical Specifications:

- OCL: 100uH±10% @100KHz 0.1V
- Q: 15 Min @100KHz 0.1V
- Isat: 1.90Adc (Based on 10% drop in OCL)
- Irms: 2.20A (Based on 40°C Temp Rise)
- DCR: 0.150 Ohms Max
- SRF: 7 MHz Typ

Notes:

- Solderability: Leads shall meet MIL-STD-202G, Method 208H for solderability.
- Flammability: UL94V-0
- ASTM oxygen Index: > 28%
- Insulation System: Class F 155°C. UL file E151555
- Operating Temperature Range: All listed parameters are to be within tolerance from -40°C to +105°C
- Storage Temperature Range: -55°C to +125°C
- Aqueous wash compatible
- Electrical and mechanical specifications 100% tested
- RoHS Compliant Component

Doc Rev: A/3

XFMRs Inc. www.XFMRS.com	Title: Radial Leaded Inductor		
	UNLESS OTHERWISE SPECIFIED	P/N: RLXF1010-101K	REV. A
TOLERANCES:	DWN.	Xianyi	Sep-23-08
.xx ±0.10	CHK.	YK Liao	Sep-23-08
Dimensions in MM	APP.	Joe Huff	Sep-23-08
SHEET 1 OF 1			