



DESCRIPTION

PT2256 is an electronic volume controller IC utilizing CMOS Technology specially designed for use on audio equipment. It has 2 built-in channels making it ideally suitable for mono and stereo sound applications. PT2256 provides the Loudness Function, a wide frequency response range and a very low total harmonic distortion, thereby guaranteeing a highly effective and reliable performance. It is housed in 16-pin DIP or SOP package and is functionally compatible with TC9235P. Pin assignments and application circuit are optimized for low cost advantages and easy PCB Layout.

FEATURES

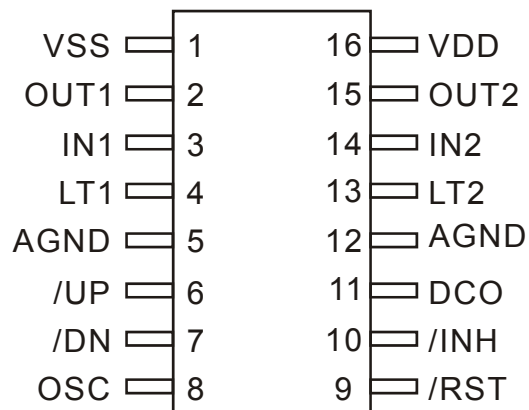
- CMOS technology
- Low power consumption
- Least external components
- 2 channels in the same chip
- 0dB to -78dB attenuation can be controlled by up and down pin
- 20dB tap for loudness circuit
- Built-in DC output circuit (8 levels) for volume level metering
- Wide frequency response range
- Low total harmonic distortion
- Available in 16 pins DIP or SOP

APPLICATION

- Audio equipment volume control



PIN CONFIGURATION



PT2256



PIN DESCRIPTION

Pin Number	I/O	Description	Pin No.
VSS	-	Negative power supply	1
OUT1	O	Volume output pin 1	2
IN1	I	Volume input pin 1	3
LT1	O	Tap output pin 1 for loudness function	4
AGND	-	Analog ground pins 1	5, 12
UP	I	Volume up control input pin. The 1 step/1 push volume is controlled by pressing the up Key. If the key has been pushed continuously increase. Built-in pull-up resistor.	6
DN	I	Volume down control input pin. The 1 step/1 push volume is controlled by pressing the down Key. If the key is continuously pressed, the volume control will continuously decrease. Built-in pull-up resistor.	7
OSC	I/O	Oscillation pin. The oscillation circuit of a resistor and capacitor connection. Oscillator is activated when the key is pressed.	8
RST	I	Reset pin. This pin sets the initial volume level. The volume level is set to -46dB by "L" Input. Built-in pull-up resistor low active	9
/INH	I	Backup mode input pin	10
DCO	O	DC output pin for volume level meter	11
LT2	O	Tap output pin 2 for loudness function	13
IN2	I	Volume input pin 2	14
OUT2	O	Volume output pin 2	15
VDD	-	Positive power supply	16



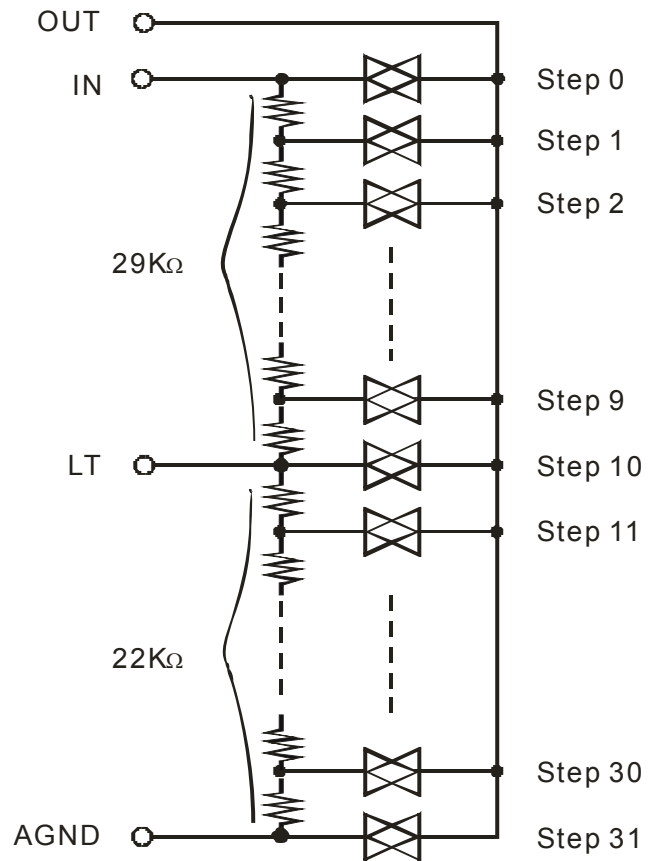
FUNCTION DESCRIPTION

ATTENUATION

The PT2256 volume control circuit consists of ladder resistors and analog switches. The Tap for loudness function is connected to the Step 10 (-20dB). When the (3.9KΩ) resistor is connected between LT and AGND pins, the attenuation is given in table below.

Step	Attenuation (dB)	Step	Attenuation (dB)
0	0	16	-32
1	-2	17	-34
2	-4	18	-36
3	-6	19	-38
4	-8	20	-40
5	-10	21	-42
6	-12	22	-46
7	-14	23	-50
8	-16	24	-54
9	-18	25	-58
10	-20	26	-62
11	-22	27	-66
12	-24	28	-70
13	-26	29	-74
14	-28	30	-78
15	-30	31	∞

The equivalent circuit is shown below:



Note: Step 22 has an initial value of -46dB.



DC OUTPUT FOR VOLUME LEVEL

The DC Output for the Volume Level Meter is internally connected to the D/A Converter. PT2256 has 8 stages of output voltage with each stage corresponding to a particular volume level. Please refer to the table below:

Step	Attenuation (dB)	Output Voltage (V)
0-3	0-6	7/8 VDD
4-7	8-14	6/8 VDD
8-11	16-22	5/8 VDD
12-15	24-30	4/8 VDD
16-19	32-38	3/8 VDD
20-23	40-50	2/8 VDD
24-27	54-66	1/8 VDD
28-31	70-∞	0

UP/DOWN VOLUME CONTROL

PT2256 features two Volume Control Pins, namely: UP and DN. UP is the control pin used to increase volume level while the DN is the control pin used to decrease the volume level. Thus, volume level may regulated using the Up or Down Keys. These keys are operated on a 1 step/1 push volume level control when UP or DN keys are set to "L" Level. If the keys are continuously pressed (input "Low"), then the volume level continuously steps up or down as the case maybe. Please refer to the diagram below for the timing of the key input.



Notes:

1. $t =$ Preventive Time for Chattering ($2.2 \times 1/f_{osc}$)
2. $T =$ Switching Time to Automatic Mode ($10 \times 1/f_{osc}$)
3. $a =$ Up, Down Speed ($2 \times 1/f_{osc}$)

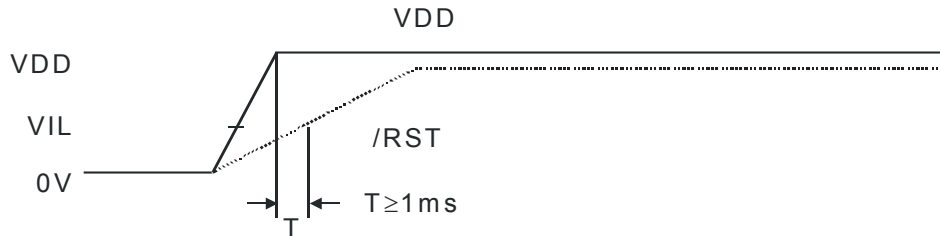


Electronic Volume Controller IC

PT2256

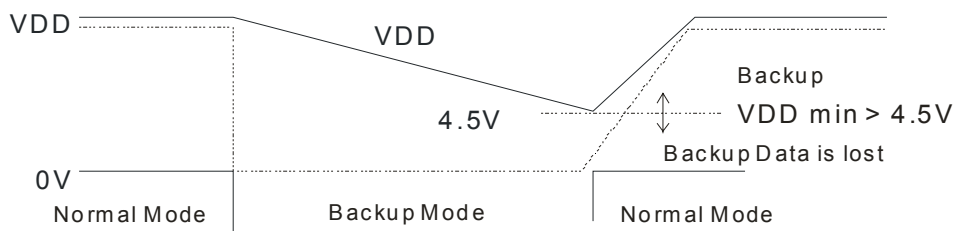
INITIALIZATION WHEN POWER ON

PT2256 has an auto-initialization function during the Power On period. When Power is turned ON, the volume level is set to the initial value of -46 dB by setting the RST pin to "L" level. Please refer to the diagram below.

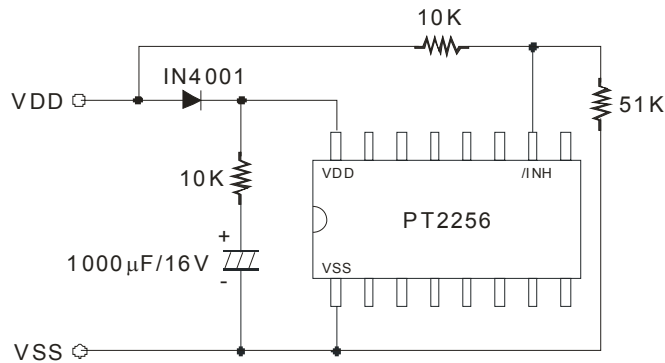


BACK UP WHEN POWER OFF

When the /INH Pin is set at "L" Level, all input and output pins are disabled and the current consumption is reduced to the minimum. Under this condition, the backup becomes possible. Please refer to the diagram below:



The backup circuit is given below:



Note:

If the VDD drops from 12V to 4.5V, then the backup is possible for a period of 6 days. However, if VDD-Vss drops below 4.5V, the backup becomes impossible.



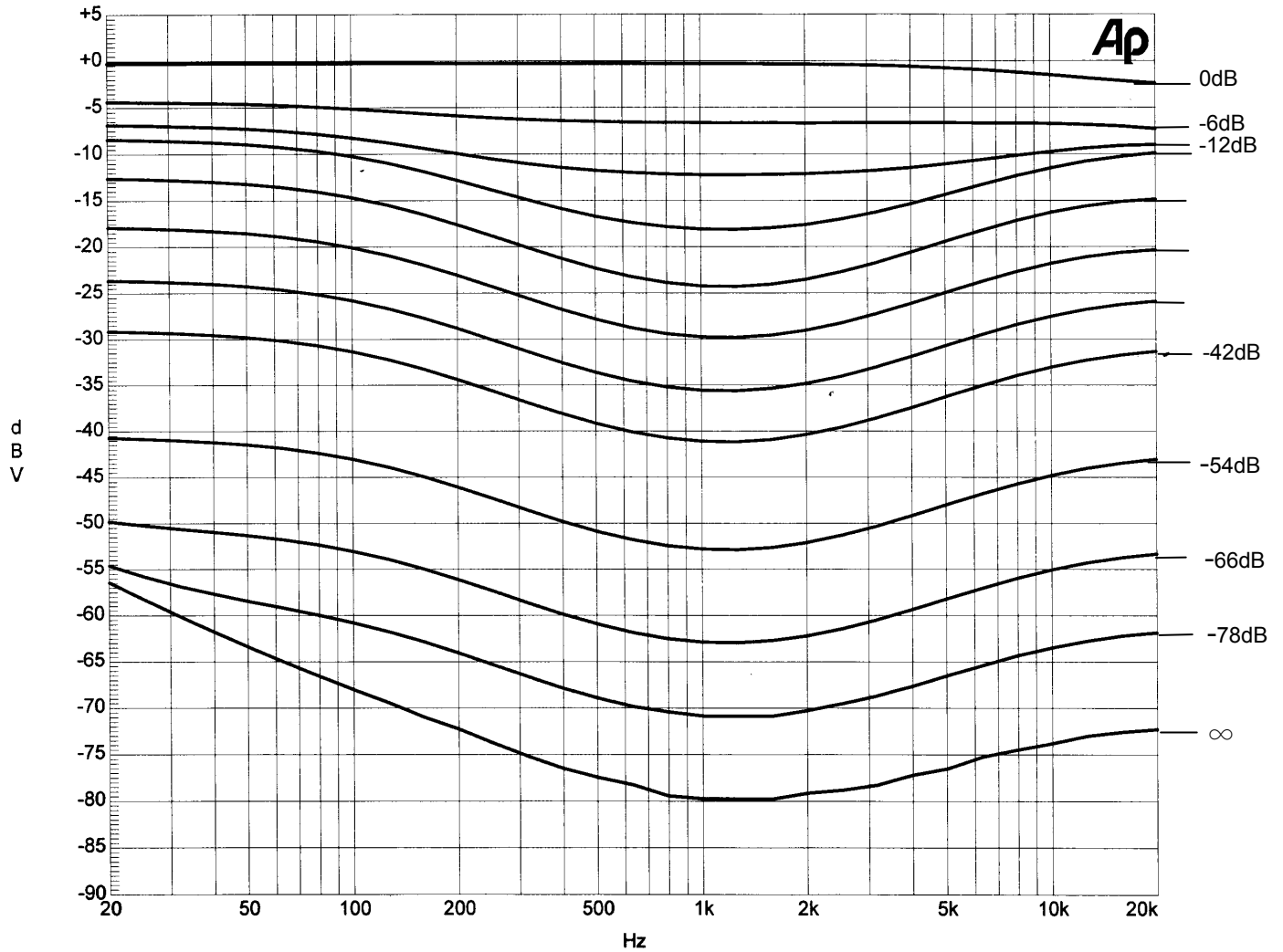
Electronic Volume Controller IC

PT2256

LOUDNESS FREQUENCY RESPONSE

The figure below shows the Loudness Frequency Response Diagram.

Audio Precision





ABSOLUTE MAXIMUM RATINGS

(Unless otherwise stated, Ta=25°C)

Parameter	Symbol	Rating	Unit
Supply voltage	VDD	-0.3 to 13	V
Input voltage	VIN	-0.3 to VDD+0.3	V
Power dissipation	PD	300	mW
Operating temperature	Topr	-40 to +85	°C
Storage temperature	Tstg	-65 ~ +150	°C



Electronic Volume Controller IC

PT2256

ELECTRICAL CHARACTERISTICS

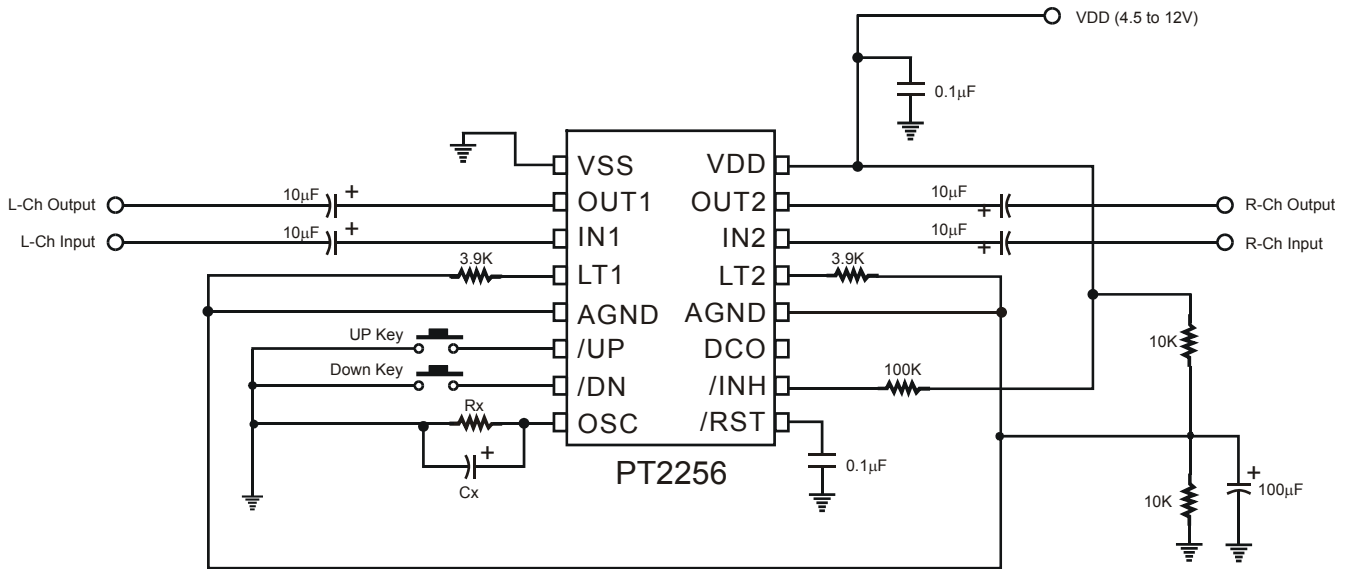
(Unless otherwise stated, Ta=25°C, VDD=9V)

Parameter	Symbol	Test Condition	Min.	Typ.	Max.	Unit	
Operating supply voltage	VDD		4.5	9.0	12	V	
Operating supply current	IDD	No load, FOSC=20Hz	-	0.3	1.0	mA	
Stand-by current	ISB	OSC=0V, /INH=0V	-	0.1	10	μA	
Backup voltage	VOD	/INH Pin=0V	2.0	-	12	V	
Backup current	IOD		-	0.1	1.0	μA	
High level input voltage	VIH	/UP, /DN, /RST	0.7VDD	-	VDD	V	
		/INH	0.8VDD	-	VDD		
Low level input voltage	VIL	/UP, /DN, /RST	0	-	0.3VDD	V	
		/INH	0	-	0.7VDD		
Voltage resistor	RVR	Between IN~AGND resistor	45	51	75	KΩ	
		Between IN~LT resistor	26	29	45		
		Between LT~AGND resistor	19	22	32		
High level input current	I _{IH}	/INH input pin. VIL=VDD	-1	-	1	μA	
Low level input current	I _{IL}	/INH input pin, VIN=0V	-1	-	1	μA	
Pull-up resistor	R _{up}	/UP, /DN, /RST input pin	90	110	130	KΩ	
Analog switch on resistor	R _{ON}	When 0dB, Between IN1~OUT1 and IN2~OUT2 Resistor	-	250	400	Ω	
Attenuation error	ΔATT	Test attenuation value	-	0	±2.0	dB	
Balance between left and right	ΔRVR	Volume resistor error between left and right	-	0	±3.0	%	
Total harmonic distortion	THD	FIN=1KHz, VIN=1Vrms, RL=100KΩ, Rg=600Ω	0dB	-	0.01	-	%
Maximum attenuation	ATTMAX		∞dB	-	80	-	dB
Cross noise	CT		0dB	-	80	-	dB
Output noise	VN		0dB	-	-90	-	dB
OSC frequency	FOSC	CX=2.2μf, Rx=33KΩ	-	18	-	Hz	
Output resistance	ROUT	FIN=1KHz, VIN=1Vrms, Volume control=0dB	550	650	750	Ω	
Maximum input amplitude	VIN	FIN=1KHz, volume control=0dB, THD<0.08%	VDD=9V	-	-	3.5	Vrms
			VDD=12V	-	-	4.0	



APPLICATION CIRCUIT

SINGLE POWER SUPPLY (NO LOUDNESS AND NO BACKUP CIRCUIT)



Note:

Modifying the values of Rx and Cx affects the Oscillator Frequency of the IC. If the Fosc value is big, then the volume control change is fast. Likewise, if the Fosc value is small, the volume control change is slow. It is suggested that Rx=33K, Cx=2.2µF.

The table for the Rx, Cx and Fosc values are given below:

Rx	Cx	Fosc
33K	1.0µF	34.1Hz
33K	2.2µF	17.8Hz
33K	10µF	3.4Hz

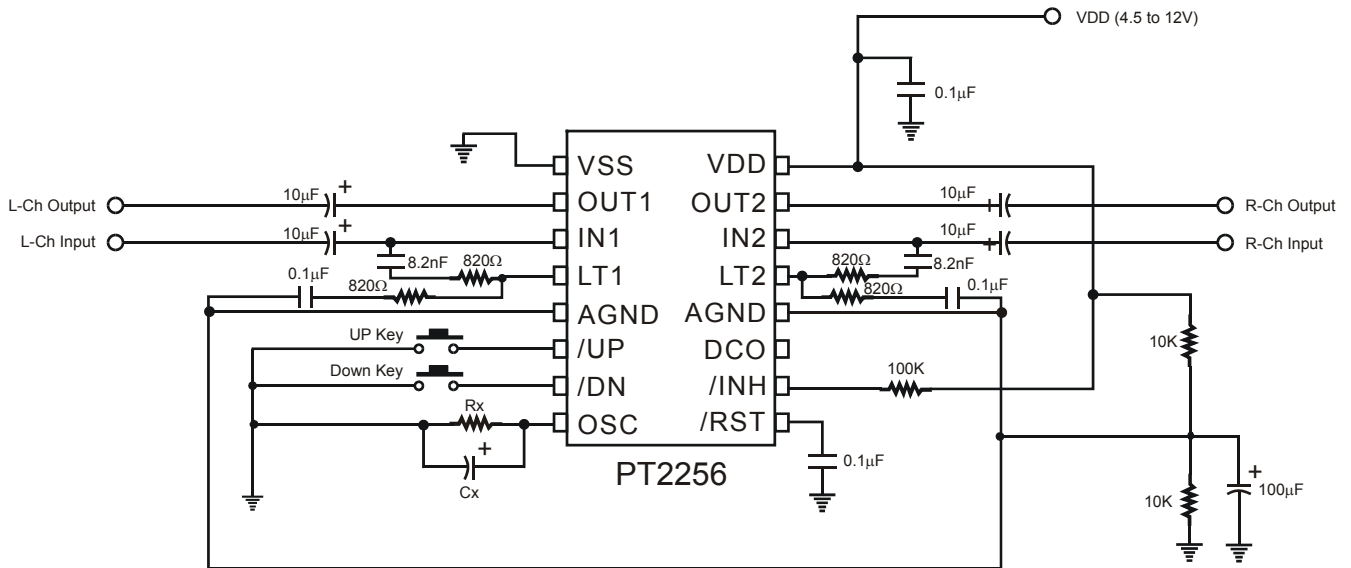
Rx	Cx	Fosc
33K	1.0µF	34.1Hz
51K	1.0µF	22.7Hz
100K	1.0µF	11.8Hz



Electronic Volume Controller IC

PT2256

INCLUDING LOUDNESS BUT NO BACKUP CIRCUIT



Note:

Modifying the values of Rx and Cx affects the Oscillator Frequency of the IC. If the Fosc value is big, then the volume control change is fast. Likewise, if the Fosc value is small, the volume control change is slow. It is suggested that Rx=33K, Cx=2.2μF.

The table for the Rx, Cx and Fosc values are given below.

Rx	Cx	Fosc
33K	1.0μF	34.1Hz
33K	2.2μF	17.8Hz
33K	10μF	3.4Hz

Rx	Cx	Fosc
33K	1.0μF	34.1Hz
51K	1.0μF	22.7Hz
100K	1.0μF	11.8Hz



ORDER INFORMATION

Part Number	Package	Top Code
PT2256	16 Pins, DIP, 300mil	PT2256
PT2256-S	16 Pins, SOP, 300mil	PT2256-S
PT2256-SN	16 Pins, SOP, 150mil	PT2256-SN
PT2256 (L)	16 Pins, DIP, 300mil	PT2256
PT2256-S (L)	16 Pins, SOP, 300mil	PT2256-S
PT2256-SN (L)	16 Pins, SOP, 150mil	PT2256-SN

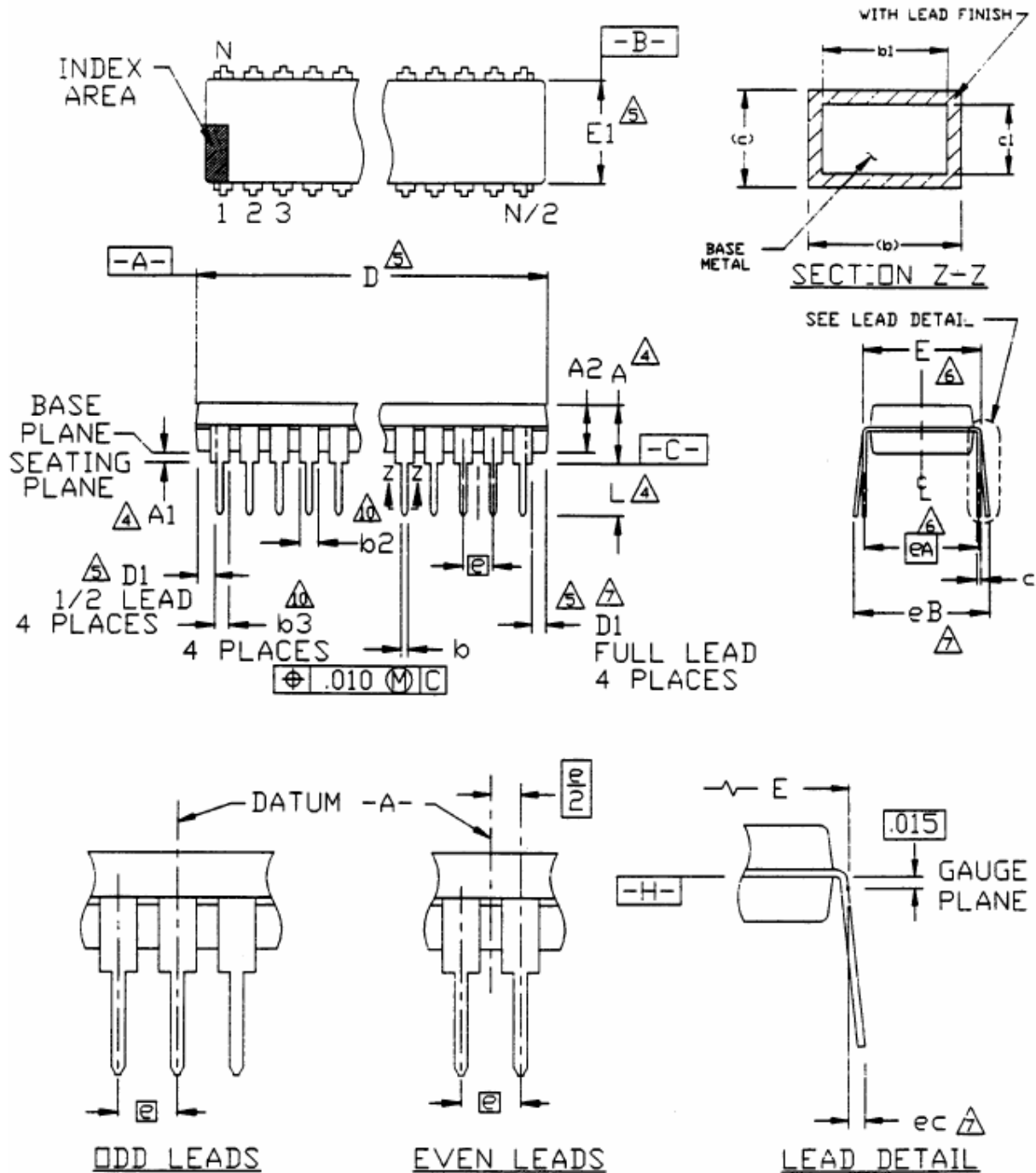
Notes:

1. (L), (C) or (S) = Lead Free.
2. The Lead Free mark is put in front of the date code.



PACKAGE INFORMATION

16PINS, DIP, 300MIL





Electronic Volume Controller IC

PT2256

Symbol	Min.	Nom.	Max.
A	-	-	0.210
A1	0.015	-	-
A2	0.115	0.130	0.195
b	0.014	0.018	0.022
b1	0.014	0.018	0.020
b2	0.045	0.060	0.070
b3	0.030	0.039	0.045
c	0.008	0.010	0.014
c1	0.008	0.010	0.011
D	0.780	0.790	0.800
D1	0.005	-	-
E	0.300	0.310	0.325
E1	0.240	0.250	0.280
e		0.100 bsc	
eA		0.300 bsc	
eB	-	-	0.430
eC	0.000	-	0.060
L	0.115	0.130	0.150

Notes:

- All dimensions are in INCHES.
- Dimensioning and tolerancing per ANSI Y14.5M-1982.
- Dimensions "A", "A1" and "L" are measured with the package seated in JEDEC Seating Plane Gauge GS-3.
- "D", "D1" and "E1" dimensions do not include mold flash or protrusions. Mold flash or protrusions shall not exceed 0.010 inch.
- "E" and "eA" measured with the leads constrained to be perpendicular to datum -c-. "eB" and "eC" are measured at the lead tips with the loads unconstrained.
- "N" is the number of terminal positions. (N=16)
- Pointed or rounded lead tips are preferred to ease insertion.
- "b2" and "b3" maximum dimensions are not include dambar protrusions. Dambar protrusions shall not exceed 0.010 inch (0.25 mm).
- Distance between leads including Dambar protrusions to be 0.005 inch minimum.
- Datum plane -H- coincident with the bottom of lead, where lead exits body.
- Refer to JEDEC MS-001 Variation AB.

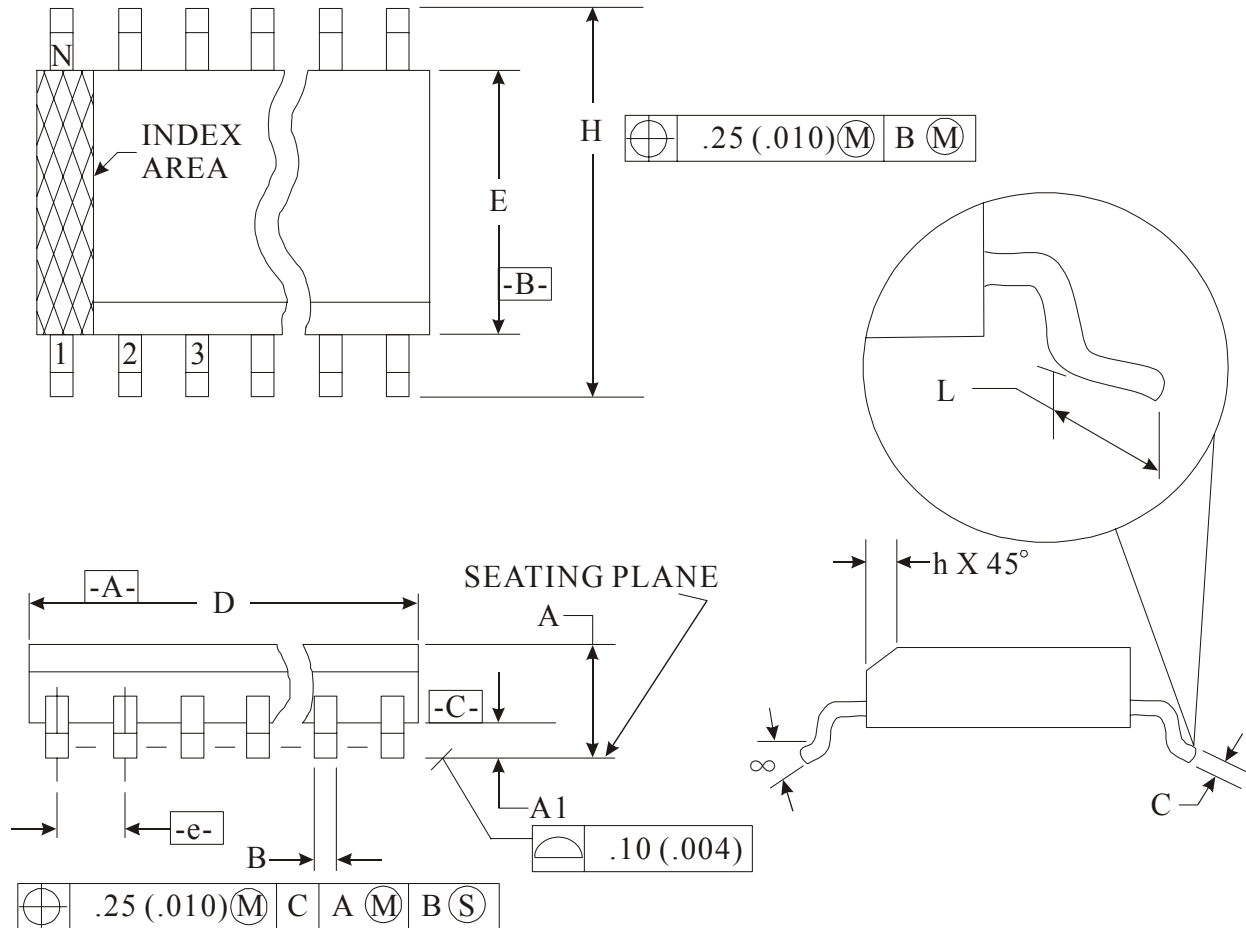
JEDEC is the trademark of JEDEC SOLID STATE TECHNOLOGY ASSOCIATION.



Electronic Volume Controller IC

PT2256

16PINS, SOPM, 300MIL



Symbol	Min.	Max
A	2.35	2.65
A1	0.10	0.30
B	0.33	0.51
C	0.23	0.32
D	10.10	10.50
E	7.40	7.60
e	1.27 BSC	
H	10.00	10.65
h	0.25	0.75
L	0.40	1.27
α	0°	8°



Electronic Volume Controller IC

PT2256

Notes:

1. Dimensioning and tolerancing per ANSI Y14.5M-1982.
2. Dimension "D" does not include mold flash, protrusions or gate burrs. Mold Flash, protrusion or gate burrs shall not exceed 0.15 mm (0.006 in) per side.
3. Dimension "E" does not include interlead flash or protrusions. Interlead flash or protrusions shall not exceed 0.25 mm (0.010 in) per side.
4. The chamfer on the body is optional. It is not present, a visual index feature must be located within the crosshatched area.
5. "L" is the length of the terminal for soldering to a substrate.
6. N is the number of the terminal positions (N=16)
7. The lead width "B" as measured 0.36 mm (0.014 in) or greater above the seating plane, shall not exceed a maximum value of 0.61 mm (0.24 in).
8. Controlling dimension : MILLIMETER.
9. Refer to JEDEC MS-013, Variation AA.

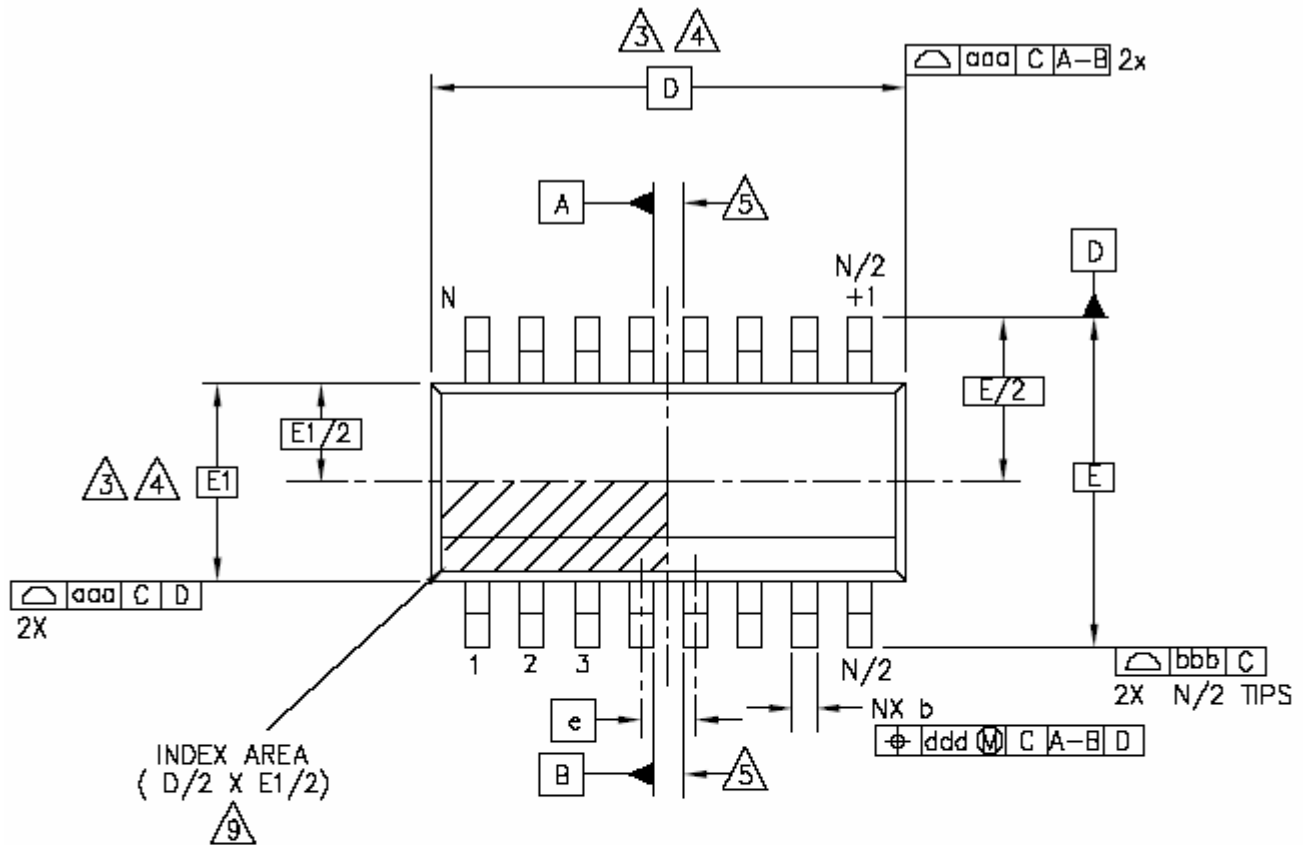
JEDEC is the trademark of JEDEC SOLID STATE TECHNOLOGY ASSOCIATION.



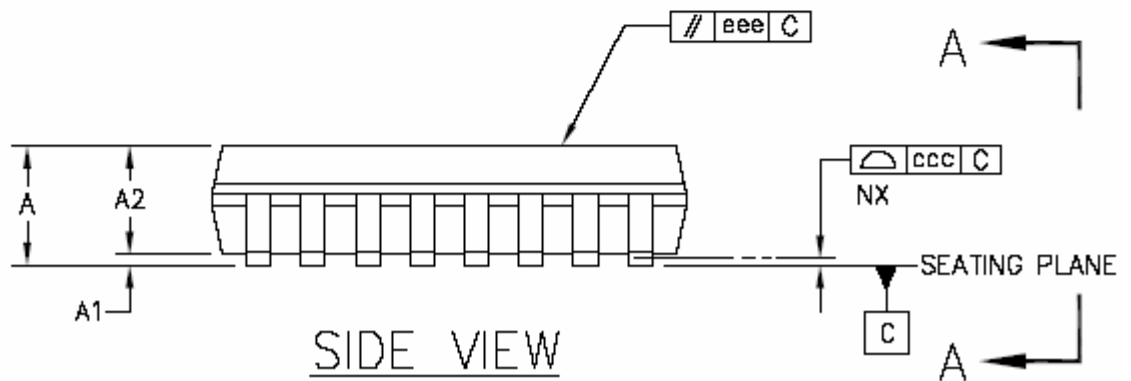
Electronic Volume Controller IC

PT2256

16 PINS, SOP, 150MIL



TOP VIEW



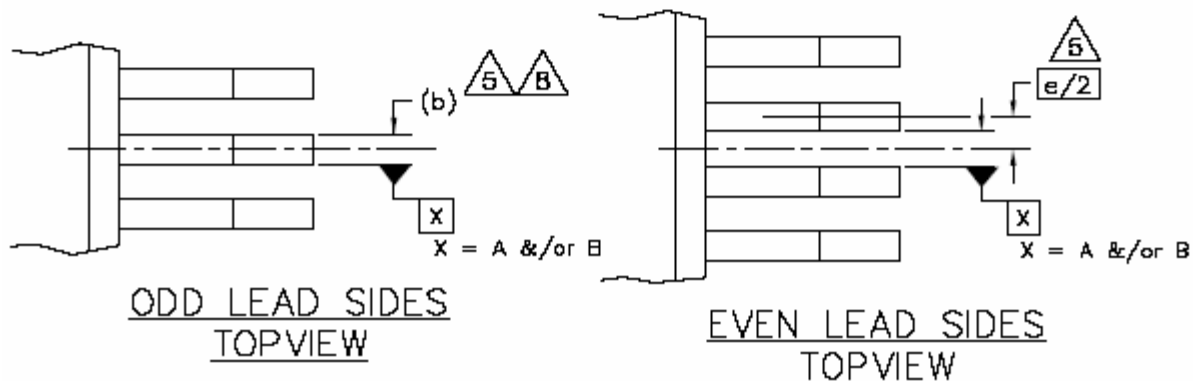
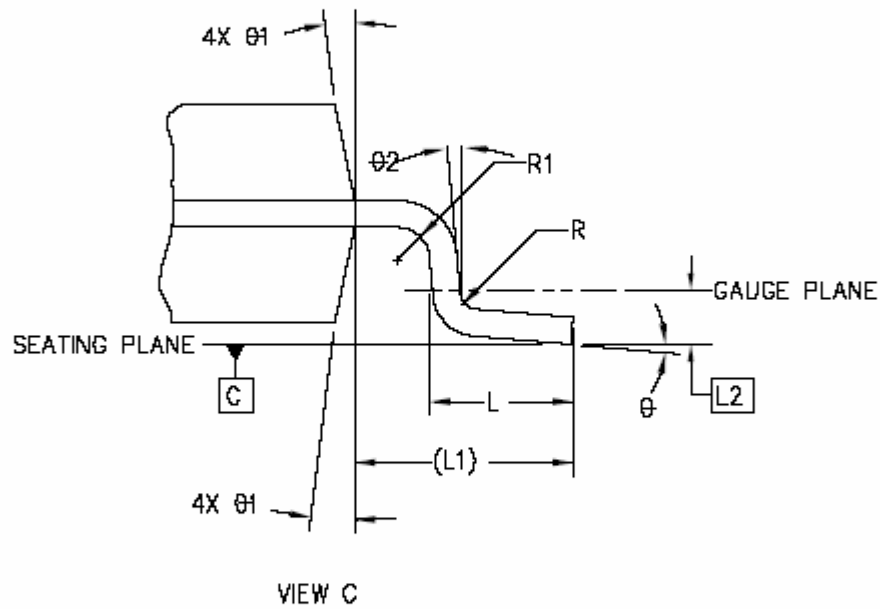
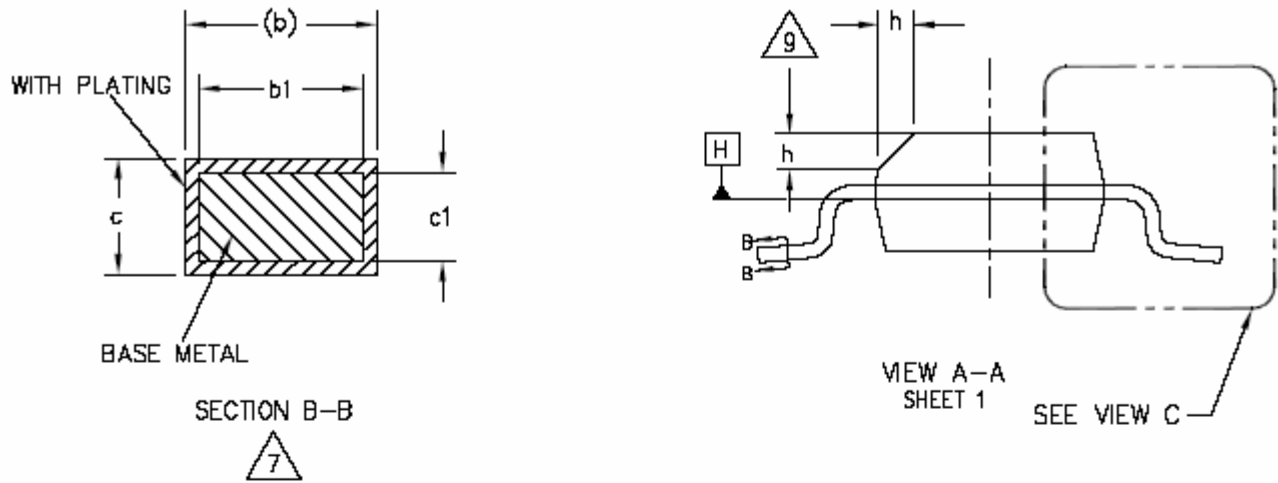
SIDE VIEW

SEE SHEET 2



Electronic Volume Controller IC

PT2256





Electronic Volume Controller IC

PT2256

Symbol	Min.	Typ.	Max.
A	1.35	-	1.75
A1	0.10	-	0.25
A2	1.25	-	1.65
b	0.31	-	0.51
b1	0.28	-	0.48
c	0.17	-	0.25
c1	0.17	-	0.23
D	9.90 BSC.		
E	6.00 BSC.		
E1	3.90 BSC.		
e	1.27 BSC.		
L	0.40	-	1.27
L1	1.04 REF.		
L2	0.25 BSC.		
R	0.07	-	-
R1	0.07	-	-
h	0.25	-	0.50
θ	0°	-	8°
$\theta 1$	5°	-	15°
$\theta 2$	0°	-	-

Notes:

1. Dimensioning and tolerancing per ANSI Y 14.5M-1994
2. Controlling Dimension: MILLIMETERS.
3. Dimension D does not include mold flash protrusions or gate burrs. Mold flash, protrusions or gate burrs shall not exceed 0.15 mm (0.006 in) per end. Dimension E1 does not include interlead flash or protrusion. Interlead flash or protrusion shall not exceed 0.25mm per side. D and E1 dimensions are determined at datum H.
4. The package top may be smaller than the package bottom. Dimensions D and E1 are determined at the outermost extremes of the plastic body exclusive of mold flash, tie bar burrs, gate burrs and interlead flash, but including any mismatch between the top and bottom of the plastic body.
5. Datums A & B to be determined at datum H.
6. N is the number of terminal positions. (N=16)
7. The dimensions apply to the flat section of the lead between 0.10 to 0.25mm from the lead tip.
8. Dimension "b" does not include dambar protrusion. Allowable dambar protrusion shall be 0.10mm total in excess of the "b" dimension at maximum material condition. The dambar cannot be located on the lower radius of the foot.
9. This chamfer feature is optional. If it is not present, then a pin 1 identifier must be located within the index area indicated.
10. Refer to JEDEC MS-012, Variation AC.
JEDEC is the registered trademark of JEDEC SOLID STATE TECHNOLOGY ASSOCIATION.



REVISION HISTORY

Date	Revision #	Reference #	Remarks
September, 2000	01	PT2256 v1.3	Modification #: 000803 Approval #: 000902 Request #:
July, 19, 2004	02	PT2256V1.4	Request No.: 040708 Approval #: 040705 Modification #: 040705
August, 13, 2004	03	PT2256 V1.5	Request No.: 040811 Approval #: 040806 Modification #: 040805
March, 24, 2006	04	PT2256 V1.6	Approval #: 060316 Modification #: 060315
August, 15, 2006	05	PT2256 V1.7	Approval #: 060811 Modification #: 060806