

Monolithic crystal filter

MQF80.167-1000/07



Application

- 4 pol filter
- i.f.- filter
- use in mobile and stationary transceivers

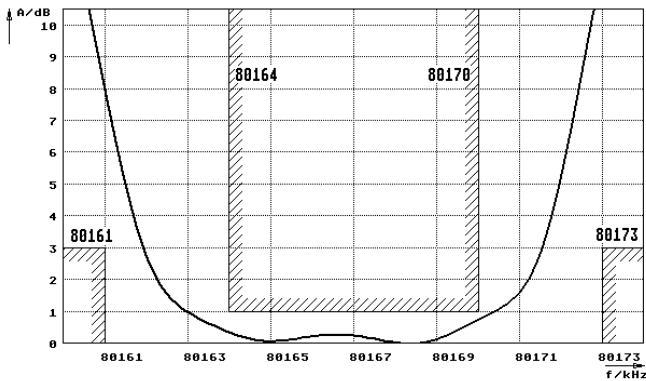
Limiting values		Unit	Value
Nominal frequency	f_0	MHz	80.167
Insertion loss		dB	< 4.0
Pass band at 1.0dB	at 25°C	kHz	$\pm > 3$
	at 0...+70°C	kHz	$\pm > 2.5$
Ripple in pass band	$f_0 \pm 2.5$ kHz	dB	< 1.0
Stop band attenuation	$f_0 \pm 15$ kHz	dB	> 20
	$f_0 \pm 30$ kHz	dB	> 30
Alternate attenuation		dB	> 45

Terminating impedance Z			
R1 C1		Ohm/pF	100 0
R2 C2		Ohm/pF	100 0

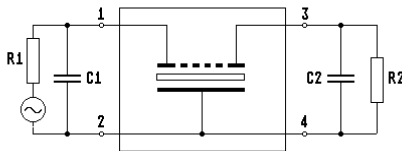
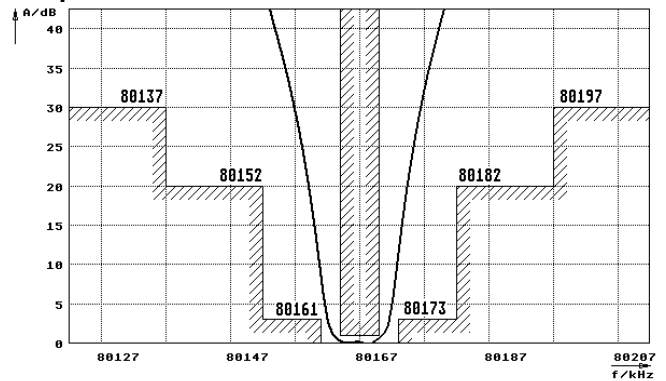
Operating temp. range	°C	+0... +70
Storage temp. range	°C	-45... +85
Environment conditions		according to CF001

Characteristics MQF80.167-1000/07

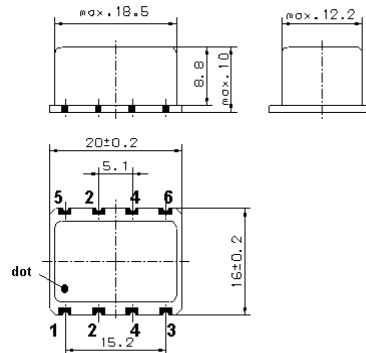
Pass band



Stop band



- Pin connections:
- 1 Input
 - 2 Ground
 - 3 Output
 - 4 Ground



GS5.5

RoHS compliant