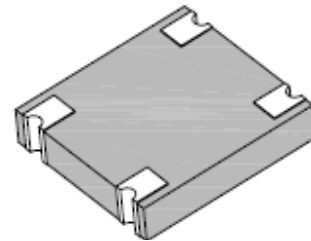


## 1.0A Surface Mount Bridge Rectifier

### Features

- Internal construction with GPRC (Glass Passivated Rectifier Chip) inside
- For surface mounted applications
- Low power loss, High efficiency
- High current capability
- High surge capacity
- Plastic package has UL Flammability Classification 94V-0
- RoHS Compliant



C2321



### Mechanical Data

<b>Case:</b>	Packed with FRP substrate and epoxy underfilled
<b>Terminals:</b>	Solder plated, solderable per MIL-STD-750, Method 2026
<b>Polarity:</b>	Laser marking
<b>Mounting Position:</b>	Any
<b>Weight:</b>	0.07 gram

### Maximum Ratings And Electrical Characteristics (T<sub>amb</sub>=25°C)

Symbol	Description	CB2321 T12	CB2321 T14	CB2321 T16	CB2321 T18	CB2321 T110	Unit	Conditions	
<b>V<sub>RRM</sub></b>	Max. Repetitive Peak Reverse Voltage	200	400	600	800	1000	V		
<b>V<sub>RMS</sub></b>	Max. RMS Voltage	140	280	420	560	700	V		
<b>V<sub>DC</sub></b>	Max. DC Blocking Voltage	200	400	600	800	1000	V		
<b>I<sub>F(AV)</sub></b>	Max. Average Forward Rectified Current	1.0						A	TA = 55°C
<b>I<sub>FSM</sub></b>	Peak Forward Surge Current	30						A	8.3ms single half sine-wave superimposed on rated load (JEDEC Method)
<b>V<sub>F</sub></b>	Max. Instantaneous Forward Voltage per element	0.9						V	IF = 0.4A
		1.0							IF = 1.0A

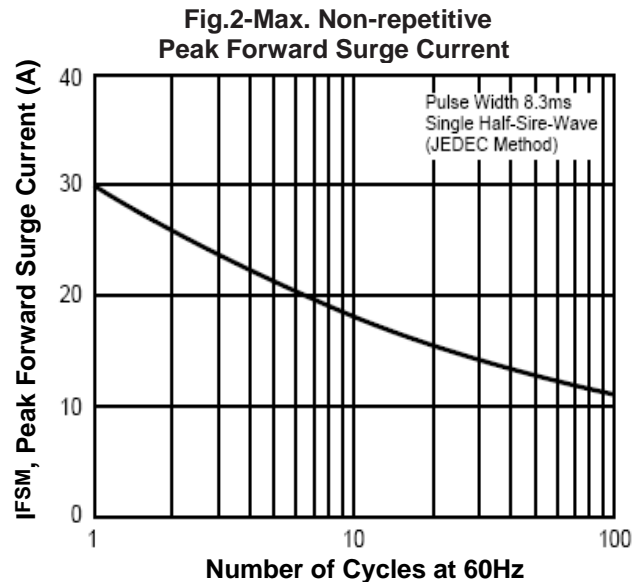
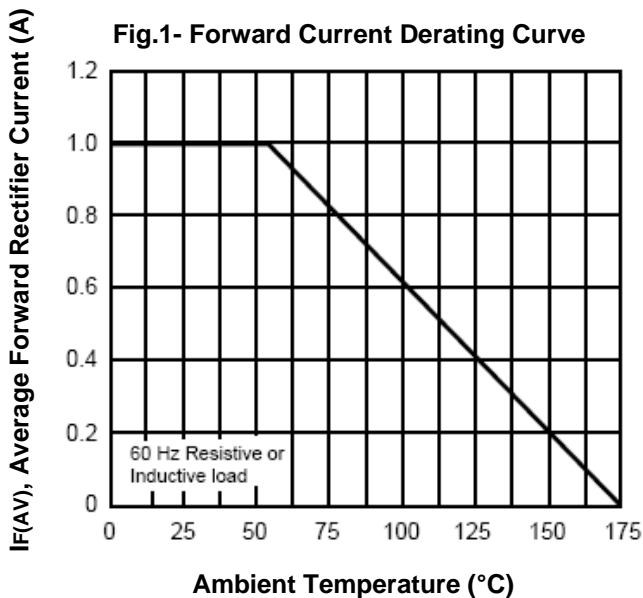
# 1.0A Surface Mount Bridge Rectifier

## CB2321T12 – CB2321T110

Symbol	Description	CB2321 T12	CB2321 T14	CB2321 T16	CB2321 T18	CB2321 T110	Unit	Conditions
IR	Max. DC Reverse Current at Rated DC Blocking Voltage per element	5					μA	TC = 25°C
		200						TC = 150°C
I <sup>2</sup> t	I <sup>2</sup> t Rating for Fusing (t<8.3ms)	3.74					A <sup>2</sup> s	
C <sub>J</sub>	Typical Junction Capacitance per element	25					pF	F=1MHz V <sub>R</sub> = 4V
R <sub>thJA</sub>	Typical Thermal Resistance, Junction to Ambient	110					° C/W	Note 1
T <sub>J</sub> ,T <sub>STG</sub>	Operating Junction and Storage Temperature Range	-55 to +175					° C	

**Note:** 1. Thermal resistance, junction to ambient, measured on PC board with 5.0mm<sup>2</sup> (0.03mm thick) land areas

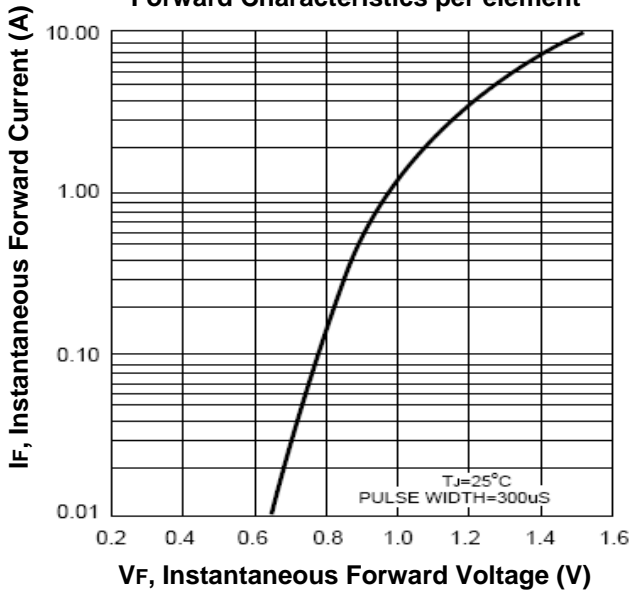
### Typical Characteristics Curves



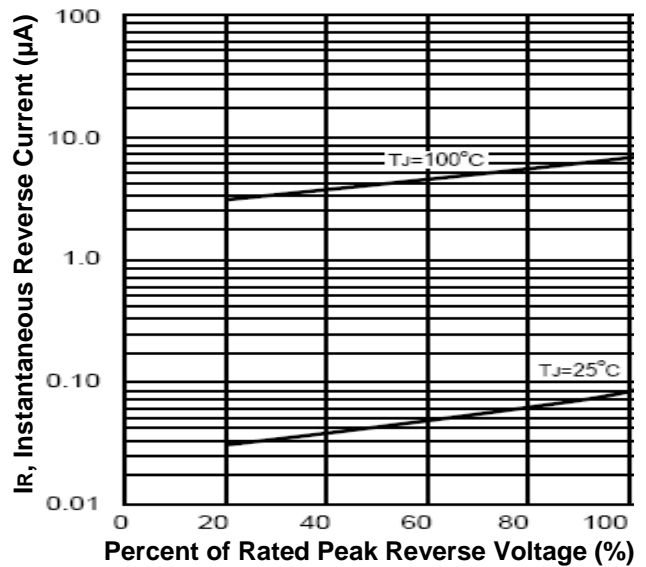
# 1.0A Surface Mount Bridge Rectifier

## CB2321T12 – CB2321T110

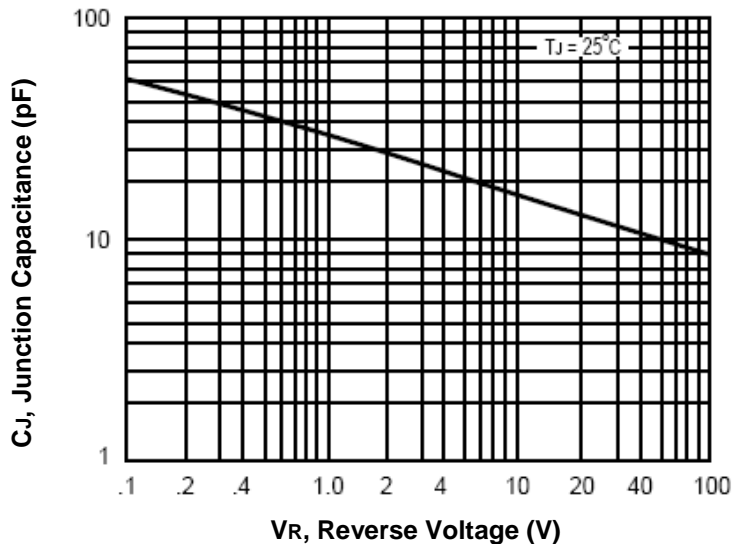
**Fig.3-Typical Instantaneous Forward Characteristics per element**



**Fig.4-Typical Reverse Characteristics per element**



**Fig.5-Typical Junction Capacitance per element**

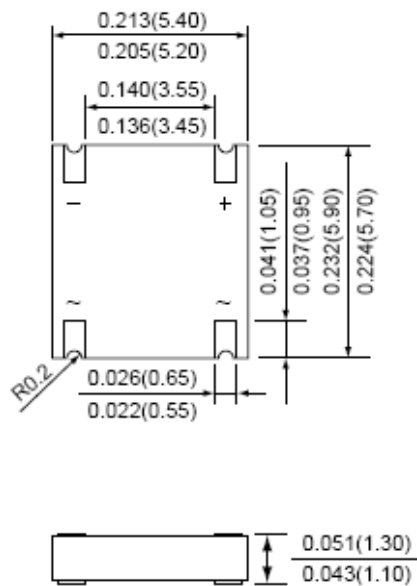


# 1.0A Surface Mount Bridge Rectifier

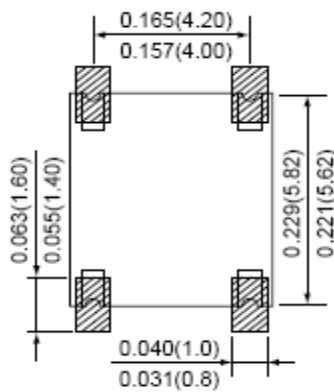
## CB2321T12 – CB2321T110

### Dimensions in inch (mm)

#### C2321



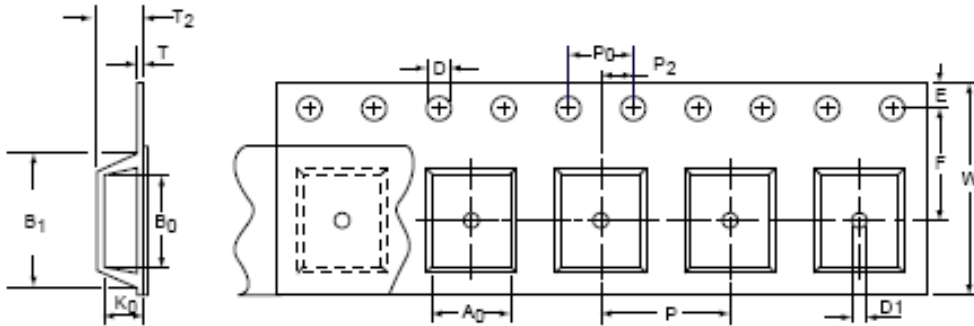
### Mounting Pad Layout in inch (mm)



# 1.0A Surface Mount Bridge Rectifier

## CB2321T12 – CB2321T110

### Packing Information in mm



Product Type	D	E	P0	A0	B0	K0	T
	1.5±0.1	1.75±0.1	4.0±0.1	See Note 1			0.40max.
2321	B1	D1	F	P	W	T2	P2
	8.2max.	1.5min.	5.50±0.05	8.0±0.1	12.0±0.3	1.65±0.1	2.0±0.1

**Note:** 1. A0, B0, and K0 are determined by component size. The clearance between the components and the cavity must be within 0.05 mm (0.002") Min. to 0.50 mm (0.02") Max. for 12 mm tape.

### Packing Quantity Information:

Quantity	PCS per Reel	PCS per Carton
-TR30 Tape & Reel	5000	50000

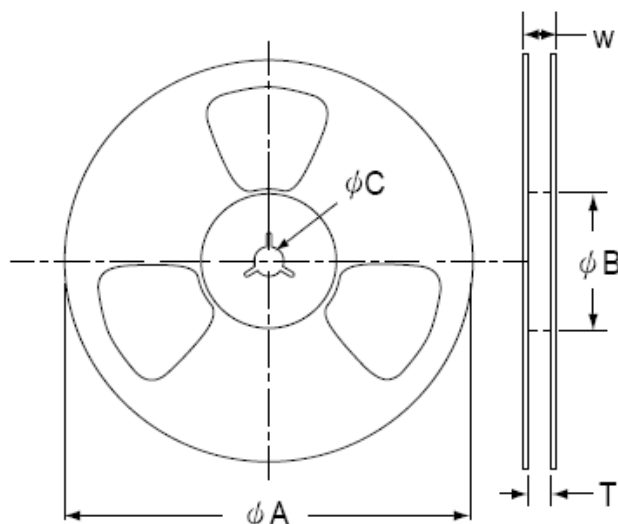
### Carton Size Information:

-TR30 Tape & Reel
360X360X240 (in mm)

# 1.0A Surface Mount Bridge Rectifier

## CB2321T12 – CB2321T110

### Reel Dimensions in mm



$\Phi A$	$\Phi B$	$\Phi C$	W	T
330 $\pm$ 2.0	50min.	13.0 $\pm$ 0.5	18.7max.	14.4max.

### How to contact us:

#### US HEADQUARTERS

28040 WEST HARRISON PARKWAY, VALENCIA, CA 91355-4162

Tel: (800) TAITRON (800) 824-8766 (661) 257-6060

Fax: (800) TAITFAX (800) 824-8329 (661) 257-6415

Email: [taitron@taitroncomponents.com](mailto:taitron@taitroncomponents.com)

Http://[www.taitroncomponents.com](http://www.taitroncomponents.com)

#### TAITRON COMPONENTS MEXICO, S.A .DE C.V.

BOULEVARD CENTRAL 5000 INTERIOR 5 PARQUE INDUSTRIAL ATITALAQUIA, HIDALGO C.P.

42970 MEXICO

Tel: +52-55-5560-1519

Fax: +52-55-5560-2190

#### TAITRON COMPONENTS INCORPORATED REPRESENTAÇÕES DO BRASIL LTDA

RUA DOMINGOS DE MORAIS, 2777, 2.ANDAR, SALA 24 SAÚDE - SÃO PAULO-SP 04035-001 BRAZIL

Tel: +55-11-5574-7949

Fax: +55-11-5572-0052

#### TAITRON COMPONENTS INCORPORATED, SHANGHAI REPRESENTATIVE OFFICE

METROBANK PLAZA, 1160 WEST YAN' AN ROAD, SUITE 1503, SHANGHAI, 200052, CHINA

Tel: +86-21-5424-9942

Fax: +86-21-5424-9931