

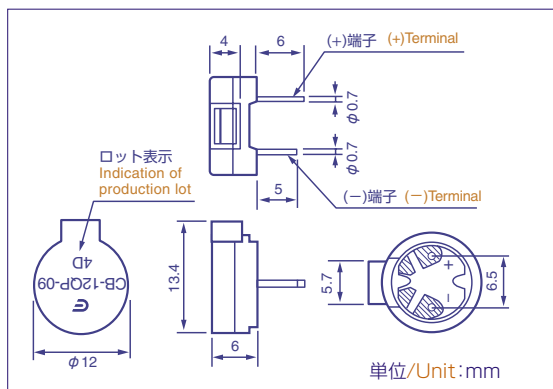
CB-12QP-09



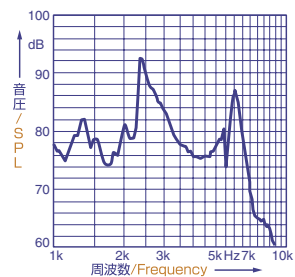
φ 12×6mm

接続リード/Connection leads: P

●外形寸法図/Outline drawing



●周波数特性/Frequency characteristics



●仕様/Specifications

定格電圧 Rated voltage (V)	1.5	音圧* Sound pressure level* (dB)	min.85 typ.90 (at 10cm)	直流抵抗 DC resistance (Ω)	5
平均消費電流* Average current consumption* (mA)	max.70	駆動周波数 Driving frequency (Hz)	2,700	動作電圧範囲 Operating voltage range (VDC)	1~2

★1.5V, 2,700Hz, 1/2 duty, 方形波/★At 1.5V, 2,700Hz, 1/2 duty, square wave