

**PLEASE CHECK WWW.MOLEX.COM FOR LATEST PART INFORMATION**

**Part Number:** [0191930134](#)  
**Status:** **Active**  
**Description:** VersaKrimp™ Ring Tongue Terminal for 10-12 AWG Wire

**Documents:**

[Drawing \(PDF\)](#) [RoHS Certificate of Compliance \(PDF\)](#)

**Agency Certification**

CSA LR18689  
 UL E32244

**General**

Product Family Ring and Spade Terminals  
 Series [19193](#)  
 Crimp Quality Equipment Yes  
 Mil-Spec N/A  
 Product Name VersaKrimp™  
 Type Ring

**Physical**

Barrel Type Closed - Brazed  
 Insulation None  
 Material - Plating Mating Tin  
 Packaging Type Bag  
 Stud Size 1/4" (M6)  
 Wire Size AWG 10, 12  
 Wire Size mm² 3.30 - 5.00

**Material Info**

Old Part Number C-340-14

**Reference - Drawing Numbers**

Sales Drawing SD-19193-026



**EU RoHS**

**ELV and RoHS Compliant**  
**REACH SVHC Contains SVHC: No**  
**Halogen-Free Status**

**China RoHS**



**Halogen-Free**

**Need more information on product environmental compliance?**

Email [productcompliance@molex.com](mailto:productcompliance@molex.com)  
 For a multiple part number RoHS Certificate of Compliance, [click here](#)

Please visit the [Contact Us](#) section for any non-product compliance questions.

**Search Parts in this Series**

[19193Series](#)

**Application Tooling | [FAQ](#)**

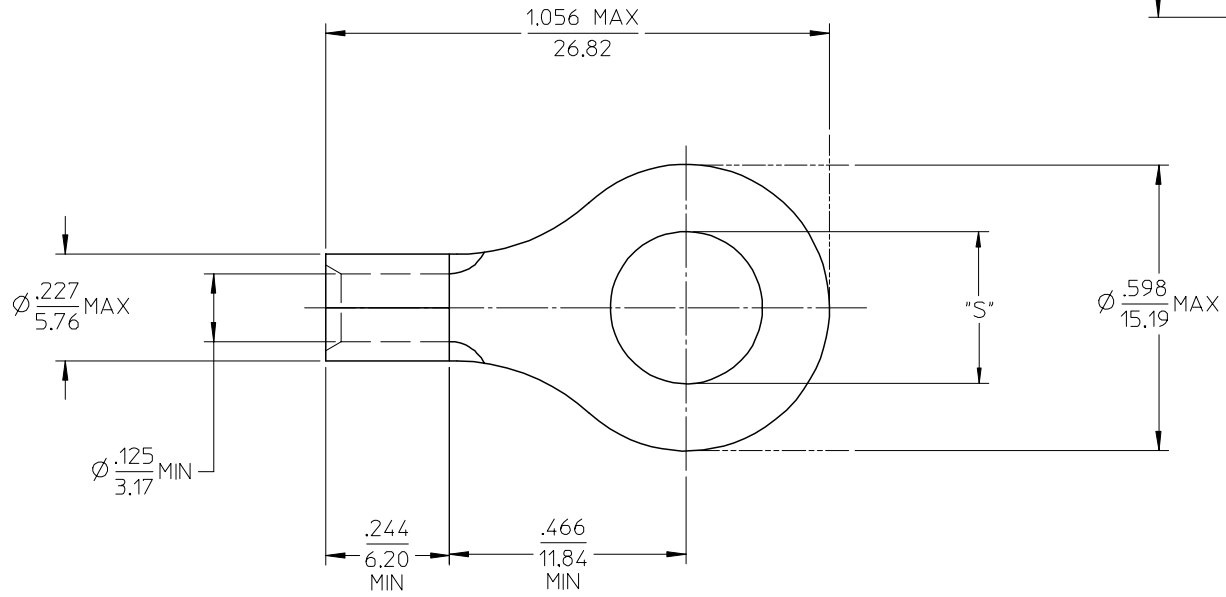
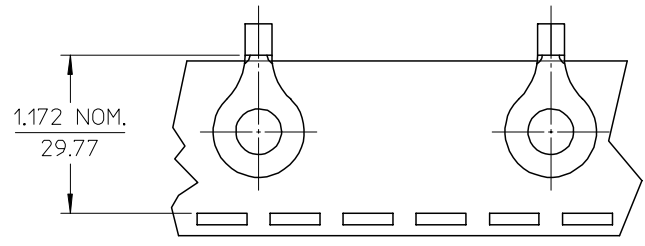
*Tooling specifications and manuals are found by selecting the products below. Crimp Height Specifications are then contained in the Application Tooling Specification document.*

**Global**

Description	Product #
Hand Crimp Tool	<a href="#">0640030100</a>
Crimp Head for the AT-200™ Pneumatic Hand Tool	<a href="#">0640070100</a>

19193

MATERIAL NO. LOOSE PIECE	ENG. NO.	MATERIAL NO. TAPE MOUNTED	ENG. NO.	STUD SIZE	±.003 "S"	STOCK THICKNESS
191930132	C-340-10	191930133	C-340-10T	10	.198	.040 (1.02)
191930134	C-340-14	191930135	C-340-14T	1/4	.265	
191930141	C-340-56	191930142	C-340-56T	5/16	.328	
191930137	C-340-38	191930139	C-340-38T	3/8	.390	



SALES DRAWING

- NOTE(S):
1. MATERIAL: COPPER
  2. PLATING: ELECTROPLATE TIN
  3. ALL DIMENSIONS IN INCHES/(MM).
  4. WIRE SIZE: 12-10 AWG  
4.0-6.0 MM<sup>2</sup>

REVISED/UPDATE TO MX STDS EC NO: ETC2003-0315 DRWN:DMYRICK 2003/08/20 CHKD:HEB 2003/08/21 APPR:RDEROSS 2003/08/21	QUALITY SYMBOLS ▽ = 0 ▽ = 0	GENERAL TOLERANCES (UNLESS SPECIFIED)		SCALE 4:1	DESIGN UNITS INCH	THIRD ANGLE PROJECTION	REVISE ON CAD ONLY		
			mm	INCH	DIMENSION STYLE IN/MM		TITLE RING TONGUE TERMINAL VERSAKRIMP 12-10 AWG		
		4 PLACES	± ---	± ---	DRAWN BY DLM	DATE 03/06/13	MOLEX INCORPORATED (SEE CHART) SD-19193-026		
		3 PLACES	± ---	± .005	CHECKED BY HEB	DATE 03/06/13			
2 PLACES	± 0.13	± .01	ANGULAR ± 1/2°		THIS DRAWING CONTAINS INFORMATION THAT IS PROPRIETARY TO MOLEX INCORPORATED AND SHOULD NOT BE USED WITHOUT WRITTEN PERMISSION				
1 PLACE	± 0.25	± ---	DRAFT WHERE APPLICABLE						
		MUST REMAIN WITHIN DIMENSIONS							