

PLEASE CHECK WWW.MOLEX.COM FOR LATEST PART INFORMATION

Part Number: [0190080013](#)
Status: **Active**
Description: Flag Krimptite™ Quick Disconnect, Female, for 18-22 (0.80-0.35) Wire, Metal Strip, Tab 6.35mm (.250") x 0.81mm (.03)

Documents:

[Drawing \(PDF\)](#) [RoHS Certificate of Compliance \(PDF\)](#)

Agency Certification

CSA LR18689
 UL E79133

General

Product Family Quick Disconnects
 Series [19008](#)
 Crimp Quality Equipment Yes
 Product Name Krimptite™
 Type Quick Disconnect

Physical

Barrel Type Closed
 Gender Female
 Glow-Wire Compliant No
 Insulation None
 Lock to Mating Part None
 Material - Metal Brass
 Orientation Flag
 Packaging Type Reel
 Polarized to Mating Part No
 Tab Thickness 0.81mm (.032")
 Tab Width 6.35mm (.250")
 Temperature Range - Operating Per Wire Specification
 Wire Size AWG 18, 20, 22
 Wire Size mm² 0.35 - 0.80

Electrical

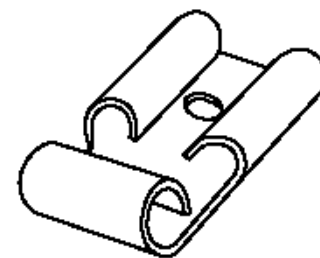
Voltage - Maximum Per Wire Specification

Material Info

Old Part Number AAZ-1158

Reference - Drawing Numbers

Sales Drawing SD-19008-013



Series

image - Reference only

EU RoHS

ELV and RoHS Compliant
REACH SVHC Contains SVHC: No
Halogen-Free Status Not Reviewed

China RoHS



Need more information on product environmental compliance?

Email productcompliance@molex.com
 For a multiple part number RoHS Certificate of Compliance, [click here](#)

Please visit the [Contact Us](#) section for any non-product compliance questions.

Search Parts in this Series

[19008Series](#)

Application Tooling | FAQ

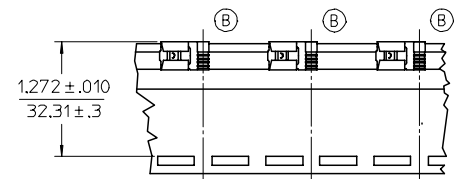
Tooling specifications and manuals are found by selecting the products below. Crimp Height Specifications are then contained in the Application Tooling Specification document.

Global

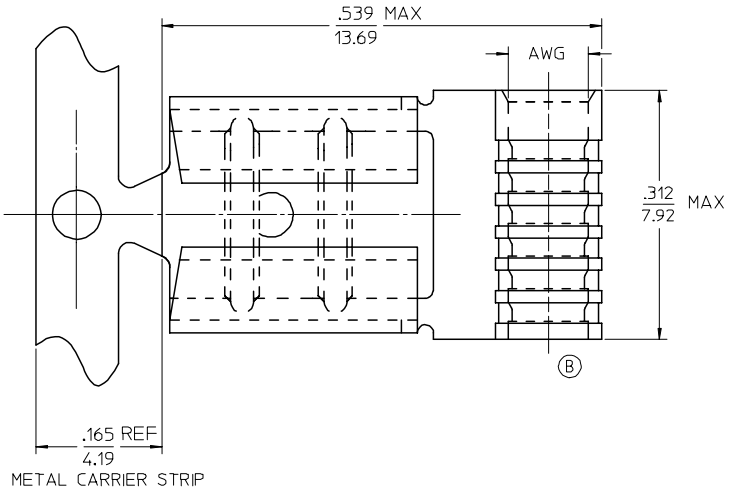
Description	Product #
Rear Feed Mini-Mac Applicator for Flag Krimptite™ Quick Disconnect Female Terminals, 18-22 AWG	0638027500
ASP Perishable Tool Kit used in ASP presses that process metal strip product	0190290130

PLEASE CHECK WWW.MOLEX.COM FOR LATEST PART INFORMATION

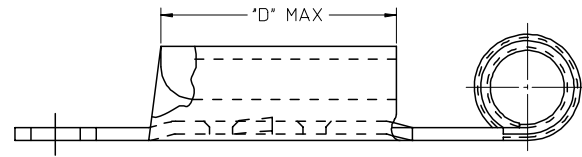
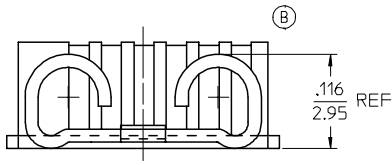
MATERIAL NUMBER ON STRIP	ENGINEERING NUMBER ON STRIP	MATERIAL NUMBER LOOSE PIECE	ENGINEERING NUMBER LOOSE PIECE	TAPE MATERIAL NUMBER	TAPE ENGINEERING NUMBER	AWG	TAB SIZE	D MAX
190080008	AAZ-1147	190080001	AA-1147	190080004	AA-1147T	22-18	.187 X .020	.257/6.53
190080009	AAZ-1147-032	190080002	AA-1147-032	190080003	AA-1147-032T	22-18	.187 X .032	.257/6.53
190080013	AAZ-1158	190080006	AA-1158	190080007	AA-1158T	22-18	.250 X .032	.312/7.92
190080028	BBZ-1148	190080019	BB-1148	190080022	BB-1148T	16-14	.187 X .020	.257/6.53
190080029	BBZ-1148-032	190080020	BB-1148-032	190080021	BB-1148-032T	16-14	.187 X .032	.257/6.53
190080031	BBZ-1159	190080024	BB-1159	190080027	BB-1159T	16-14	.250 X .032	.312/7.92



PARTS ON TAPE



METAL CARRIER STRIP



SALES DRAWING

NOTES:

- MATERIAL: BRASS .016/0.04 THICK. PLATING ELECTRO-TIN.
- TAB SIZE SEE CHART.
- WIRE AWG SEE CHART.
- (B) PART IS ROHS COMPLIANT.

REVISED BARREL & CHART FC NO: ETC2007-0001 DRAWN BY: DRW:NEHLE CHKD: JMACNEIL APPR: RDEROSS	2006/07/13 2006/07/17 2006/07/17	DESCRIPTION
---	--	-------------

QUALITY SYMBOLS	GENERAL TOLERANCES (UNLESS SPECIFIED)	
	mm	INCH
▽=0	4 PLACES ± .005	± .005
▽=0	3 PLACES ± .005	± .005
	2 PLACES ± .13	± .01
	1 PLACE ± .25	± .01
	ANGULAR ±1/2°	

DIMENSION STYLE		SCALE	DESIGN UNITS	THIRD ANGLE PROJECTION
IN/MM		NONE	INCH	☉
DRAWN BY	DATE	TITLE		
BENDERLE	2005/01/25	FLAG QD		
CHECKED BY	DATE			
R DEROSS	2005/01/25	22-18 AWG & 16-14 AWG		
APPROVED BY	DATE			
R DEROSS	2005/01/25	.187X.020&.032,.250X.032		
MATERIAL NO.	DOCUMENT NO.			
SEE CHART	SD-19008-013			

DRAFT WHERE APPLICABLE MUST REMAIN WITHIN DIMENSIONS		SIZE C	THIS DRAWING CONTAINS INFORMATION THAT IS PROPRIETARY TO MOLEX INCORPORATED AND SHOULD NOT BE USED WITHOUT WRITTEN PERMISSION	
--	--	--------	---	--