

PLEASE CHECK WWW.MOLEX.COM FOR LATEST PART INFORMATION

Part Number: [0878353442](#)
Status: **Active**
Overview: [cgrid_sl_products](#)
Description: 2.54mm (.100") Pitch C-Grid® Header, Right Angle, Through Hole, Dual Row, Low Profile, Shrouded, 34 Circuits, 0.76µm (30µ") Gold (Au) Selective Plating, Center Polarization Slot, with Two End Slots, Lead-free

Documents:

[3D Model](#) [Product Specification PS-70246-100 \(PDF\)](#)
[Drawing \(PDF\)](#) [RoHS Certificate of Compliance \(PDF\)](#)

General

Product Family	PCB Headers
Series	87835
Application	Wire-to-Board
Overview	cgrid_sl_products
Product Name	C-Grid®

Physical

Breakaway	No
Circuits (Loaded)	34
Circuits (maximum)	34
Color - Resin	Natural
Durability (mating cycles max)	50
First Mate / Last Break	No
Glow-Wire Compliant	No
Guide to Mating Part	No
Keying to Mating Part	None
Lock to Mating Part	None
Material - Plating Mating	Gold
Material - Plating Termination	Tin
Material - Resin	Nylon
Number of Rows	2
Orientation	Right Angle
PC Tail Length (in)	0.100 In
PC Tail Length (mm)	2.54 mm
PCB Locator	No
PCB Retention	None
PCB Thickness Recommended (in)	0.062 In
PCB Thickness Recommended (mm)	1.60 mm
Packaging Type	Tray
Pitch - Mating Interface (in)	0.100 In
Pitch - Mating Interface (mm)	2.54 mm
Plating min: Mating (µin)	30
Plating min: Mating (µm)	0.75
Plating min: Termination (µin)	75.2
Plating min: Termination (µm)	1.88
Polarized to Mating Part	Center Slot
Polarized to PCB	No
Shrouded	Fully
Stackable	No
Surface Mount Compatible (SMC)	Yes
Temperature Range - Operating	-55°C to +120°C
Termination Interface: Style	Through Hole

Electrical

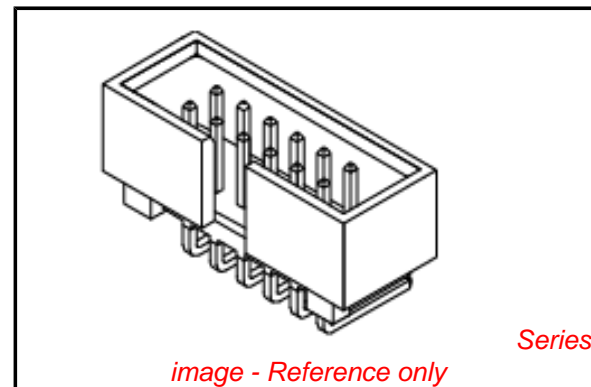


image - Reference only

EU RoHS

ELV and RoHS Compliant
REACH SVHC Contains SVHC: No
Halogen-Free Status

China RoHS



Not Reviewed

Need more information on product environmental compliance?

Email productcompliance@molex.com
 For a multiple part number RoHS Certificate of Compliance, [click here](#)

Please visit the [Contact Us](#) section for any non-product compliance questions.

Search Parts in this Series

[87835Series](#)

Mates With

.050" pitch ribbon cable connectors

Current - Maximum per Contact	2.5A
Voltage - Maximum	250V

Material Info

Reference - Drawing Numbers

Packaging Specification	PK-87835-001
Product Specification	PS-70246-100
Sales Drawing	SD-87835-003

This document was generated on 05/25/2010

PLEASE CHECK WWW.MOLEX.COM FOR LATEST PART INFORMATION

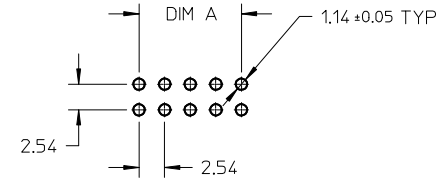
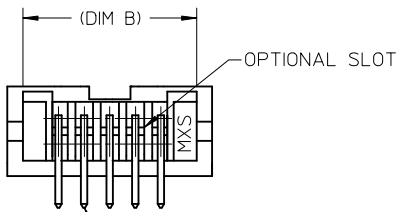
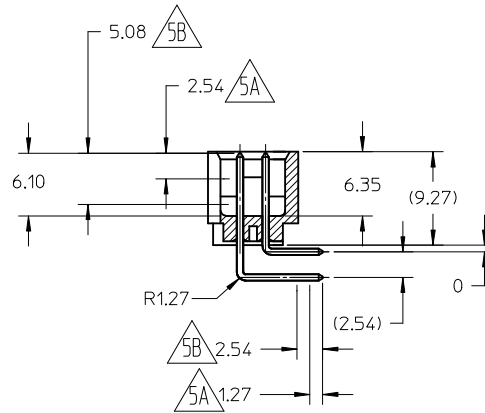
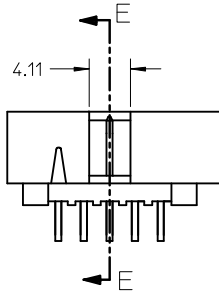
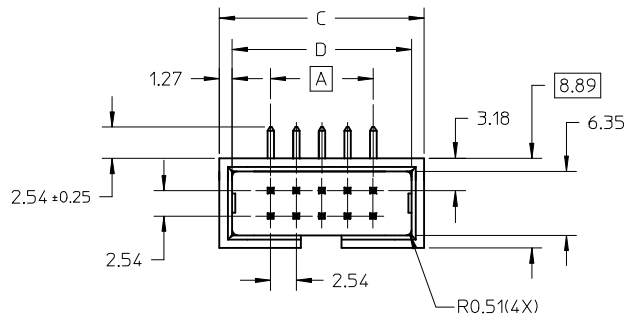
PART NUMBER LEGEND

87835-***

CKT SIZE

6 PLATING OPTION

PART NUMBER	CKT SIZE	A	B	C	D
87835-0842	08	7.62	14.73	17.78	15.24
87835-1042	10	10.16	17.27	20.32	17.78
87835-1242	12	12.70	19.81	22.86	20.32
87835-1442	14	15.24	22.35	25.40	22.86
87835-1642	16	17.78	24.89	27.94	25.40
87835-2042	20	22.86	29.97	33.02	30.48
87835-2442	24	27.94	35.05	38.10	35.56
87835-2642	26	30.48	37.59	40.64	38.10
87835-3042	30	35.56	42.67	45.72	43.18
87835-3442	34	40.64	47.75	50.80	48.26
87835-4042	40	48.26	55.37	58.42	55.88
87835-4442	44	53.34	60.45	63.50	60.96
87835-5042	50	60.96	68.07	71.12	68.58



RECOMMENDED PCB PATTERN

SECTION E-E

NOTES:

- PIN PUSHOUT FORCE 0.91KG MIN.
- PIN SOLDERABILITY PER MOLEX SPEC. ES-152
- PRODUCT SPEC: PS-70246 APPLIES.
- WAFER TO BE FLAT WITHIN 0.03MM/CM
- DIMENSIONS FOR PLATING LOCATION : A - MEASURE POINT FOR THICKNESS. B - MINIMUM COVERAGE
- FINISH : 0.76um MIN AU AT CONTACT & 1.91um MIN TIN AT SOLDER TAIL OVER 1.27um MIN NICKEL UNDERPLATE OVERALL.
- SOLDER TAIL POSITION WILL BE INSPECTED BY GAUGE.

UPDATES DRAWING EC NO: S2009-0778 DRWN: YCHONG CHKD: ATSEE APPR: MLONG	2009/04/09 2009/04/09 2009/04/09	DESCRIPTION A1	QUALITY SYMBOLS	GENERAL TOLERANCES (UNLESS SPECIFIED)	DIMENSION STYLE	SCALE	DESIGN UNITS	THIRD ANGLE PROJECTION
			▼=0 □=0	mm INCH 4 PLACES ± --- ± --- 3 PLACES ± --- ± --- 2 PLACES ± 0.20 ± --- 1 PLACE ± --- ± --- ANGULAR ± 3 °	MM ONLY DRAWN BY: RSHAN DATE: 2003/11/14 CHECKED BY: KCLING DATE: 2003/11/19 APPROVED BY: SKTOH DATE: 2003/11/26	NTS	METRIC	□
			DRAFT WHERE APPLICABLE MUST REMAIN WITHIN DIMENSIONS	MATERIAL NO. SEE TABLE	TITLE: C-GRID, R/A, SHROUDED HEADER WITH 2 END SLOTS	MOLEX INCORPORATED	DOCUMENT NO. SD-87835-003	SHEET NO. 1 OF 1
			SIZE: A3	THIS DRAWING CONTAINS INFORMATION THAT IS PROPRIETARY TO MOLEX INCORPORATED AND SHOULD NOT BE USED WITHOUT WRITTEN PERMISSION				