

PLEASE CHECK WWW.MOLEX.COM FOR LATEST PART INFORMATION

Part Number: [0532581229](#)
Status: **Active**
Description: 3.50mm (.138") Pitch Header, Vertical, Lead-free, 12 Circuits, Brass (CuZn) Contact

Documents:

[3D Model](#) [Product Specification PS-51067-019 \(PDF\)](#)
[Drawing \(PDF\)](#) [RoHS Certificate of Compliance \(PDF\)](#)

Agency Certification

TUV R72081037
 UL E29179

General

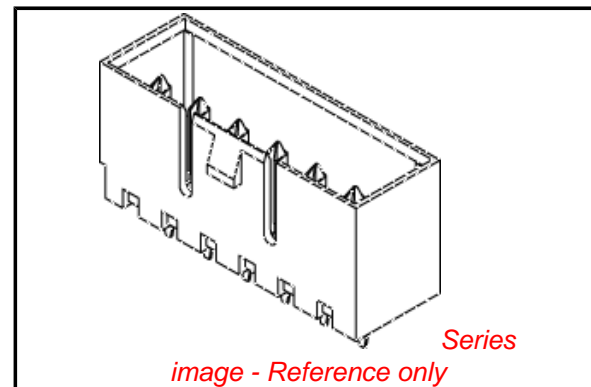
Product Family PCB Headers
 Series [53258](#)
 Application Wire-to-Board
 Product Name N/A

Physical

Breakaway No
 Circuits (Loaded) 12
 Circuits (maximum) 12
 Durability (mating cycles max) 30
 First Mate / Last Break No
 Flammability 94V-0
 Glow-Wire Compliant No
 Guide to Mating Part Yes
 Keying to Mating Part None
 Lock to Mating Part Yes
 Material - Metal Brass
 Material - Plating Mating Tin
 Material - Plating Termination Tin
 Number of Rows 1
 Orientation Vertical
 PC Tail Length (in) 0.138 In
 PC Tail Length (mm) 3.50 mm
 PCB Locator No
 PCB Retention None
 PCB Thickness Recommended (in) 0.062 In
 PCB Thickness Recommended (mm) 1.60 mm
 Packaging Type Tray
 Pitch - Mating Interface (in) 0.138 In
 Pitch - Mating Interface (mm) 3.50 mm
 Plating min: Mating (µin) 40
 Plating min: Mating (µm) 1
 Plating min: Termination (µin) 40
 Plating min: Termination (µm) 1
 Polarized to PCB No
 Shrouded Fully
 Stackable No
 Temperature Range - Operating -40°C to +105°C
 Termination Interface: Style Through Hole

Electrical

Current - Maximum per Contact 5.5A
 Voltage - Maximum 250V



EU RoHS

ELV and RoHS Compliant
REACH SVHC
 Not Reviewed
Halogen-Free Status

China RoHS



Not Reviewed

Need more information on product environmental compliance?

Email productcompliance@molex.com
 For a multiple part number RoHS Certificate of Compliance, [click here](#)

Please visit the [Contact Us](#) section for any non-product compliance questions.

Search Parts in this Series

[53258Series](#)

Mates With

[51067](#) Wire-to-Wire and Wire-to-Board Housing

Material Info

Reference - Drawing Numbers

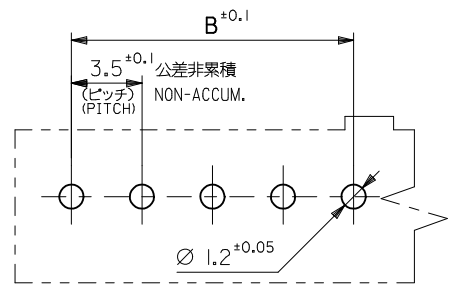
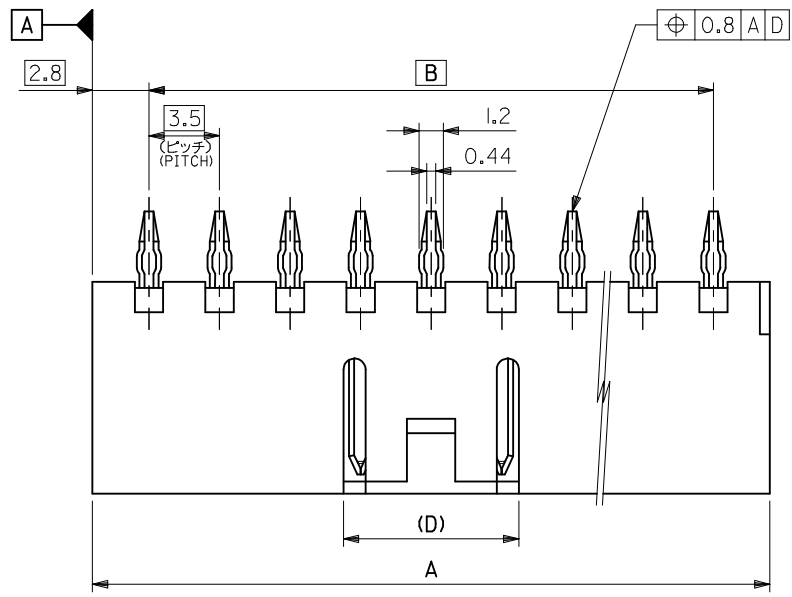
Product Specification

PS-51067-019, RPS-51067-002, RPS-51067-019,
RPS-51067-025, RPS-51067-028, RPS-51067-035,
RPS-51067-041
SD-53258-005

Sales Drawing

This document was generated on 04/16/2010

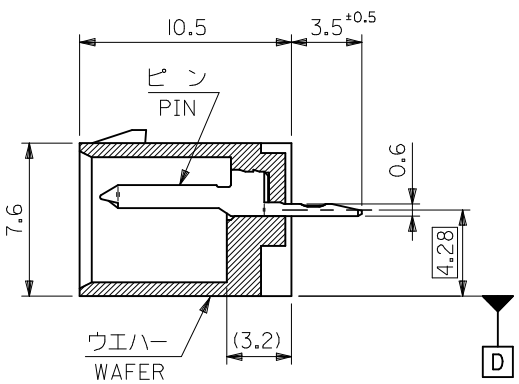
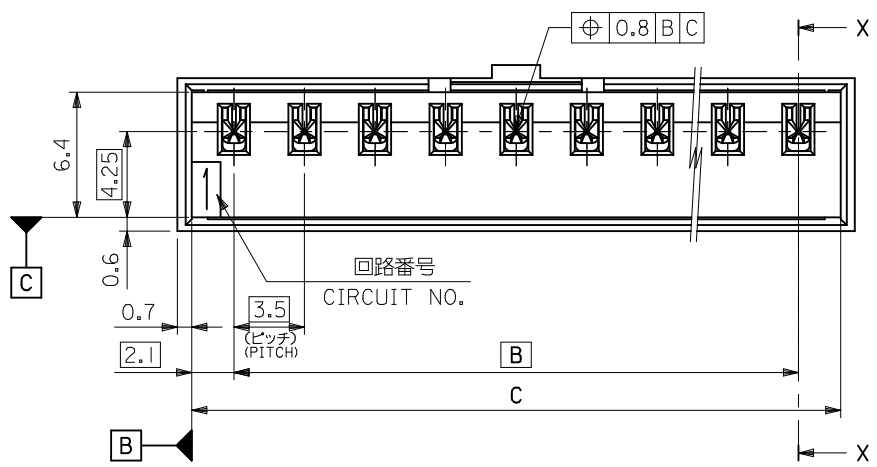
PLEASE CHECK WWW.MOLEX.COM FOR LATEST PART INFORMATION



注記 NOTES

1. 嵌合相手 : 51067 シリーズ
MATE WITH : 51067 SERIES
2. 材質
MATERIAL
ウエハー : PBTP (ガラス15%入り) , UL94V-0
WAFER : PBTP (G.F 15%) , UL94V-0
ピン : 黄銅、ニッケル下地 鍍メッキ (t=0.254)
PIN : BRASS
TIN OVER NICKEL PLATING (t=0.254)
3. 本製品は 53258-**-20 の鉛フリー品である。
THIS PRODUCT IS LEAD FREE OF 53258-**-20.
4. メッキ仕様
TERMINAL PLATING
表面メッキ : スズメッキ 14μm MIN.
SURFACE PLATE : TIN 14μm MIN.
下地メッキ : ニッケルメッキ 14μm MIN.
UNDER PLATE : NICKEL 14μm MIN.

基板取付穴推奨寸法 (参考) (t=1.6)
RECOMMENDED P.C. BOARD HOLE DIM. (REF.)



| | | | | | | |
|-----|------|------|------|--------------|------------|---|
| 8.7 | 53.2 | 49.0 | 54.6 | 53258-1529 | 15 | |
| | 49.7 | 45.5 | 51.1 | -1429 | 14 | |
| | 46.2 | 42.0 | 47.6 | -1329 | 13 | |
| | 42.7 | 38.5 | 44.1 | -1229 | 12 | |
| | 39.2 | 35.0 | 40.6 | -1129 | 11 | |
| | 35.7 | 31.5 | 37.1 | -1029 | 10 | |
| | 32.2 | 28.0 | 33.6 | -0929 | 9 | |
| | 28.7 | 24.5 | 30.1 | -0829 | 8 | |
| | 25.2 | 21.0 | 26.6 | -0729 | 7 | |
| | 21.7 | 17.5 | 23.1 | -0629 | 6 | |
| | 18.2 | 14.0 | 19.6 | -0529 | 5 | |
| | 8.7 | 14.7 | 10.5 | 16.1 | -0429 | 4 |
| | 6.1 | 11.2 | 7.0 | 12.6 | -0329 | 3 |
| | 6.1 | 7.7 | 3.5 | 9.1 | 53258-0229 | 2 |
| (D) | C | B | A | MATERIAL NO. | CKT. 極致 | |

MATERIAL 材料
注記参照
SEE NOTES

| | |
|-------------------|-------------|
| REVISED | DESCRIPTION |
| EC NO: J2007-0432 | 2006/08/11 |
| DRW:KSAIT001 | 2006/08/21 |
| CHKD:THARUYAMA | 2006/08/21 |
| APPR:NUKITA | 2006/08/23 |
| REV A | |

| | |
|------------------------------------------------------|-------|
| GENERAL TOLERANCES (UNLESS SPECIFIED) | |
| 10 UNDER | ±0.2 |
| 10 OVER 30 UNDER | ±0.25 |
| 30 OVER | ±0.3 |
| ANGULAR | ±3 ° |
| DRAFT WHERE APPLICABLE MUST REMAIN WITHIN DIMENSIONS | |

| | |
|-----------------|------------|
| DIMENSION STYLE | |
| MM ONLY | |
| DRAWN BY | DATE |
| T. UENO | 2004/04/22 |
| CHECKED BY | DATE |
| M. SASAO | 2004/04/22 |
| APPROVED BY | DATE |
| M. SASAO | 2004/04/22 |
| MATERIAL NO. | |
| SEE CHART | |
| SIZE | A3 |

| | | | |
|------------------------------------|--------------|------------------------|--|
| SCALE | DESIGN UNITS | THIRD ANGLE PROJECTION | |
| 4:1 | METRIC | ⊙ □ | |
| TITLE | | | |
| 3.5 WIRE TO BOARD CONN -LEAD FREE- | | | |
| MOLEX INCORPORATED | | | |
| DOCUMENT NO. | | SHEET NO. | |
| SD-53258-005 | | 1 OF 1 | |