

PLEASE CHECK WWW.MOLEX.COM FOR LATEST PART INFORMATION

Part Number: [0513460400](#)
Status: **Active**
Description: 3.30mm (.130") Pitch Wire-to-Wire Plug Housing, Positive Lock, Single Row, 4 Circuits, White

Documents:

[Drawing \(PDF\)](#)

[RoHS Certificate of Compliance \(PDF\)](#)

General

Product Family	Crimp Housings
Series	51346
Product Name	N/A

Physical

Circuits (maximum)	4
Color - Resin	Natural
Gender	Male
Glow-Wire Compliant	No
Lock to Mating Part	Yes
Material - Resin	Nylon
Number of Rows	1
Packaging Type	Bag
Panel Mount	No
Pitch - Mating Interface (in)	0.130 In
Pitch - Mating Interface (mm)	3.30 mm
Polarized to Mating Part	Yes
Stackable	No
Temperature Range - Operating	-25°C to +85°C

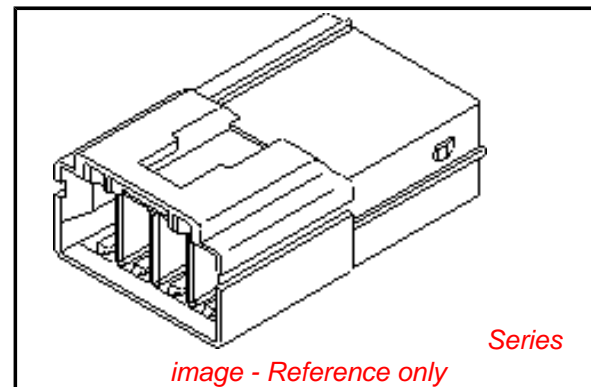
Electrical

Current - Maximum per Contact	4A
-------------------------------	----

Material Info

Reference - Drawing Numbers

Sales Drawing	SD-51346-001
---------------	--------------



EU RoHS

ELV and RoHS Compliant
REACH SVHC
Contains SVHC: No
Halogen-Free
Status
Not Reviewed

China RoHS



Need more information on product environmental compliance?

Email productcompliance@molex.com
 For a multiple part number RoHS Certificate of Compliance, [click here](#)

Please visit the [Contact Us](#) section for any non-product compliance questions.

Search Parts in this Series

[51346Series](#)

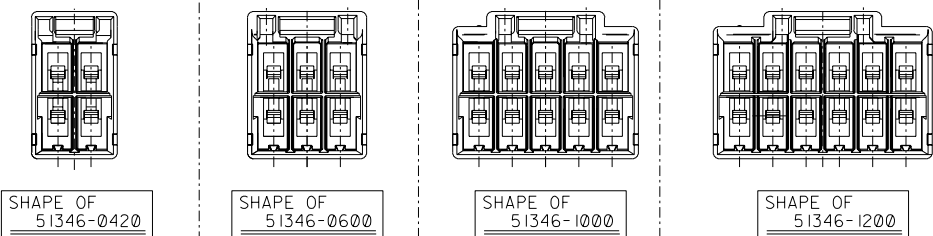
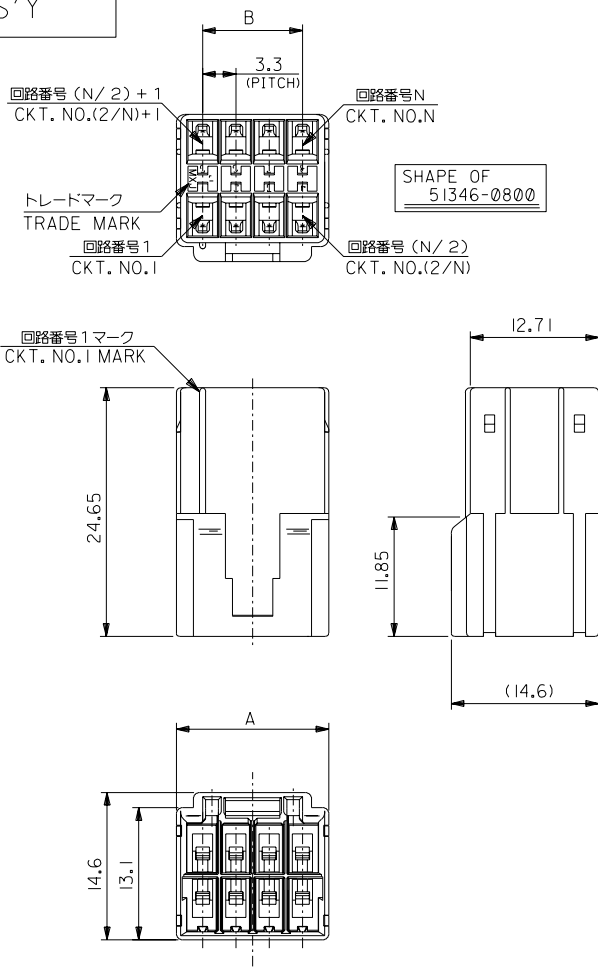
Mates With

[51347-0400](#)

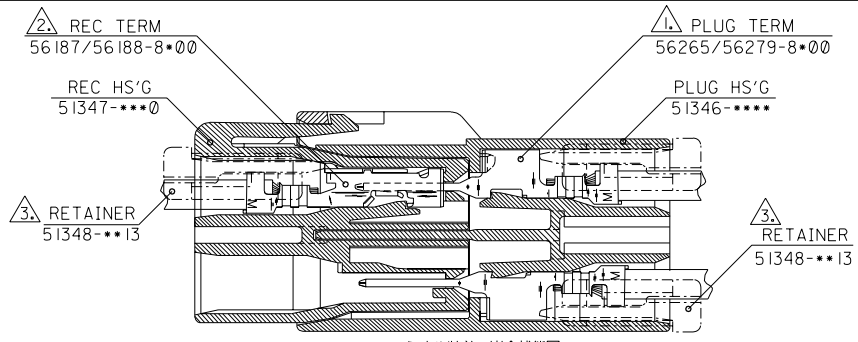
Use With

[51348](#) , [56265](#)

本図は2列品を示す
DUAL ROW ASS'Y



種数レイアウト図
LAYOUT OF EACH CKTS.



ターミナル装着・嵌合状態図
TERMINAL ASSEMBLY & MATING CONDITION

- 注記
NOTES
- 1. 適合ターミナル : 56265/56279シリーズ
APPLICABLE TERMINAL : 56265/56279 SERIES
 - 2. 適合ターミナル : 56187/56188シリーズ
APPLICABLE TERMINAL : 56187/56188 SERIES
 - 3. 適合リテーナー : 51348-***1* シリーズ
APPLICABLE RETAINER : 51348-***1* SERIES
4. 材料 : NYLON66, UL94V-0
MATERIAL

51347-1200	51348-0613	NATURAL	16.5	21.7	12	51346-1200	
-1000	-0513		13.2	18.4	10	-1000	51346-****
-0800	-0413		9.9	15.1	8	-0800	
-0600	-0313		6.6	11.8	6	-0600	
51347-0420	51348-0213	NATURAL	3.3	8.5	4	51346-0420	
MATE WITH	CONFORMABLE-RETAINER	COLOR	B	A	CKT.	MATERIAL NO.	MODEL NO.

DO NOT SCALE DRAWING

164 NO. DRAWN: CHK: APPR:	163 NO. DRAWN: CHK: APPR:	162 NO. DRAWN: CHK: APPR:	161 NO. DRAWN: CHK: APPR:
RELEASED 280 NO. J2004-1974 DRAWN: T.ODA '04/01/19 CHK: S.ICHIKAWA APPR: YO.ITO			
0 REV			

MATERIAL 材料	//
FINISH 仕上げ	//
WIRE RANGE 適用電線範囲	//
INS. RANGE 被覆外径	//

GENERAL TOLERANCES: (UNLESS SPECIFIED) 一般公差	
10 UNDER 未満	±0.2
10 OVER 30 UNDER 以上 未満	±0.25
30 OVER 以上	±0.3
ANGLE 角度	±3°

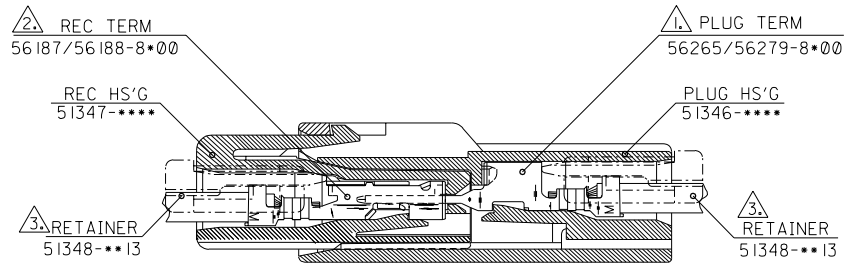
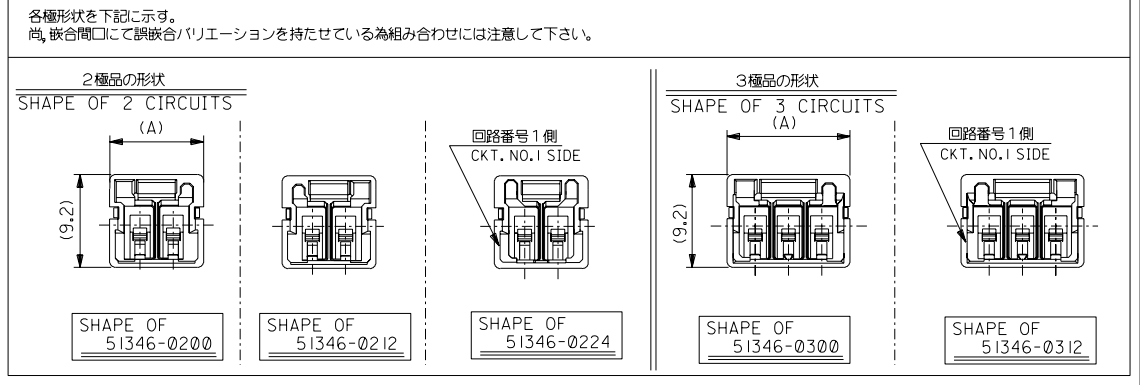
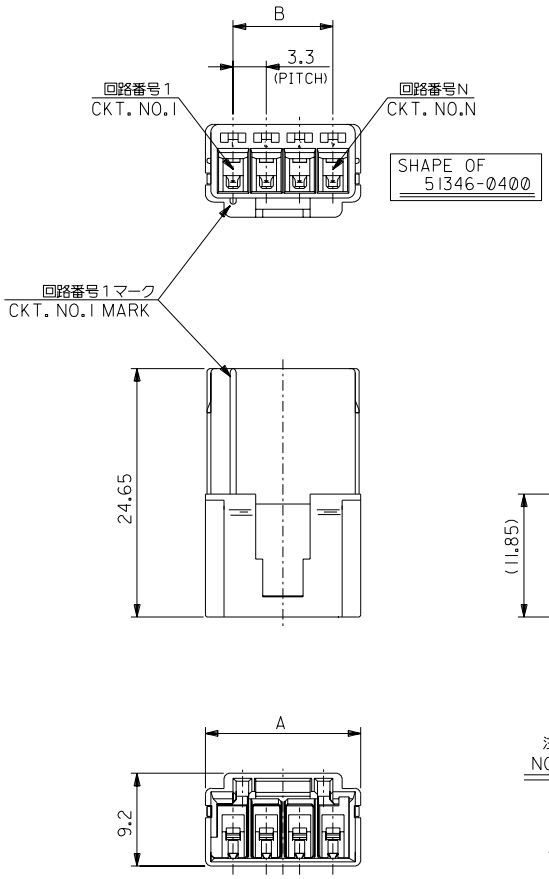
SCALE	DESIGN UNITS <input checked="" type="checkbox"/> mm <input type="checkbox"/> INCH
DRAWN BY & DATE <i>TODA</i> '04/01/15	
CHECKED BY & DATE <i>S. Ichikawa</i>	
APPROVED BY & DATE <i>Y. Ito</i>	
CAD FILENAME SD-51347-001.S01	

DIMENSIONS: <input type="checkbox"/> mm <input type="checkbox"/> INCH		SHT REV	
3.3 mm WIRE TO WIRE CONN. PLUG HOUSING		REVISE ON CAD ONLY	
MOLEX INCORPORATED			
MATERIAL NO.	DRAWING NO.	SHEET NO.	
SEE CHART	SD-51346-001	1 OF 2	
THIS DRAWING CONTAINS INFORMATION THAT IS PROPRIETARY TO MOLEX INCORPORATED AND SHOULD NOT BE USED WITHOUT WRITTEN PERMISSION.			SIZE B

DWG. NO. SD-51346-001

DO NOT SCALE DRAWING

本図は1列品を示す
SINGLE ROW ASS'Y



ターミナル装着・嵌合状態図
TERMINAL ASSEMBLY & MATING CONDITION

注記
NOTES

- △ 適合ターミナル: 56265/56279シリーズ
APPLICABLE TERMINAL: 56265/56279 SERIES
 - △ 適合ターミナル: 56187/56188シリーズ
APPLICABLE TERMINAL: 56187/56188 SERIES
 - △ 適合リテーナー: 51348シリーズ
APPLICABLE RETAINER: 51348 SERIES
4. 材料 MATERIAL : NYLON66, UL94V-0

51347-0400	51348-0413	NATURAL	9.9	15.1	4	51346-0400	51346-****
-0312	-0313	RED	6.6	12.1	3	-0312	
-0300	-0313	NATURAL	6.6	12.1		-0300	
-0224	-0213	BLUE	3.3	9.3		-0224	
-0212	-0213	RED	3.3	9.3	2	-0212	
51347-0200	51348-0213	NATURAL	3.3	9.3		51346-0200	

① 64 NO. DRWN: CH'K: APPR: ② 63 NO. DRWN: CH'K: APPR: ③ 62 NO. DRWN: CH'K: APPR: ④ 61 NO. DRWN: CH'K: APPR: ⑤ 60 NO. DRWN: CH'K: APPR:	⑥ 59 NO. DRWN: CH'K: APPR: ⑦ 58 NO. DRWN: CH'K: APPR: ⑧ 57 NO. DRWN: CH'K: APPR: ⑨ 56 NO. DRWN: CH'K: APPR: ⑩ 55 NO. DRWN: CH'K: APPR:	⑪ 54 NO. DRWN: CH'K: APPR: ⑫ 53 NO. DRWN: CH'K: APPR: ⑬ 52 NO. DRWN: CH'K: APPR: ⑭ 51 NO. DRWN: CH'K: APPR:	⑮ 50 NO. DRWN: CH'K: APPR: ⑯ 49 NO. DRWN: CH'K: APPR: ⑰ 48 NO. DRWN: CH'K: APPR: ⑱ 47 NO. DRWN: CH'K: APPR:	⑲ 46 NO. DRWN: CH'K: APPR: ⑳ 45 NO. DRWN: CH'K: APPR: ㉑ 44 NO. DRWN: CH'K: APPR: ㉒ 43 NO. DRWN: CH'K: APPR:	㉓ 42 NO. DRWN: CH'K: APPR: ㉔ 41 NO. DRWN: CH'K: APPR: ㉕ 40 NO. DRWN: CH'K: APPR: ㉖ 39 NO. DRWN: CH'K: APPR:	㉗ 38 NO. DRWN: CH'K: APPR: ㉘ 37 NO. DRWN: CH'K: APPR: ㉙ 36 NO. DRWN: CH'K: APPR: ㉚ 35 NO. DRWN: CH'K: APPR:	㉛ 34 NO. DRWN: CH'K: APPR: ㉜ 33 NO. DRWN: CH'K: APPR: ㉝ 32 NO. DRWN: CH'K: APPR: ㉞ 31 NO. DRWN: CH'K: APPR:	㉟ 30 NO. DRWN: CH'K: APPR: ㊱ 29 NO. DRWN: CH'K: APPR: ㊲ 28 NO. DRWN: CH'K: APPR: ㊳ 27 NO. DRWN: CH'K: APPR:	㊴ 26 NO. DRWN: CH'K: APPR: ㊵ 25 NO. DRWN: CH'K: APPR: ㊶ 24 NO. DRWN: CH'K: APPR: ㊷ 23 NO. DRWN: CH'K: APPR:	㊸ 22 NO. DRWN: CH'K: APPR: ㊹ 21 NO. DRWN: CH'K: APPR: ㊺ 20 NO. DRWN: CH'K: APPR: ㊻ 19 NO. DRWN: CH'K: APPR:	㊼ 18 NO. DRWN: CH'K: APPR: ㊽ 17 NO. DRWN: CH'K: APPR: ㊾ 16 NO. DRWN: CH'K: APPR: ㊿ 15 NO. DRWN: CH'K: APPR:	① 14 NO. DRWN: CH'K: APPR: ② 13 NO. DRWN: CH'K: APPR: ③ 12 NO. DRWN: CH'K: APPR: ④ 11 NO. DRWN: CH'K: APPR:	⑤ 10 NO. DRWN: CH'K: APPR: ⑥ 9 NO. DRWN: CH'K: APPR: ⑦ 8 NO. DRWN: CH'K: APPR: ⑧ 7 NO. DRWN: CH'K: APPR:	⑨ 6 NO. DRWN: CH'K: APPR: ⑩ 5 NO. DRWN: CH'K: APPR: ⑪ 4 NO. DRWN: CH'K: APPR: ⑫ 3 NO. DRWN: CH'K: APPR:	⑬ 2 NO. DRWN: CH'K: APPR: ⑭ 1 NO. DRWN: CH'K: APPR:						
MATERIAL 材料: //										GENERAL TOLERANCES: (UNLESS SPECIFIED) 一般公差		SCALE: //		DESIGN UNITS: <input checked="" type="checkbox"/> mm <input type="checkbox"/> INCH		DIMENSIONS: <input type="checkbox"/> mm <input type="checkbox"/> INCH <input checked="" type="checkbox"/> mm ONLY		SHT: // REV: //			
FINISH 仕上げ: //										10 UNDER 未満 ±0.2		DRAWN BY & DATE: <i>Y.Oto</i> '04/01/15		TITLE: 3.3 mm WIRE TO WIRE CONN. PLUG HOUSING (SINGLE ROW)							
WIRE RANGE 適用電線範囲: //										10 OVER 30 UNDER 未満 ±0.25		CHECKED BY & DATE: <i>S. Ichikawa</i>		MOLEX MOLEX INCORPORATED							
INS. RANGE 被覆外径: //										30 OVER 以上 ±0.3		APPROVED BY & DATE: <i>Y.Oto</i>		CAD FILENAME: SD-51346-001.S02		MATERIAL NO. SEE CHART		DRAWING NO. SD-51346-001		SHEET NO. 2	
										THIS DRAWING CONTAINS INFORMATION THAT IS PROPRIETARY TO MOLEX INCORPORATED AND SHOULD NOT BE USED WITHOUT WRITTEN PERMISSION.										SIZE B	