

PLEASE CHECK WWW.MOLEX.COM FOR LATEST PART INFORMATION

Part Number: [5013280222](#)
Status: **Active**
Overview: [inertia lock 330mm wiretowire system](#)
Description: 3.30mm (.130") Pitch Wire-to-Wire Inertia Lock Receptacle Housing, Single Row, 2 Circuits, Red

Documents:

[Drawing \(PDF\)](#) [RoHS Certificate of Compliance \(PDF\)](#)
[Product Specification PS-501328-001 \(PDF\)](#)

General

Product Family	Crimp Housings
Series	501328
Overview	inertia lock 330mm wiretowire system
Product Name	Inertia Lock

Physical

Circuits (maximum)	2
Color - Resin	Red
Gender	Female
Glow-Wire Compliant	No
Lock to Mating Part	Yes
Material - Resin	Nylon
Number of Rows	1
Packaging Type	Bag
Panel Mount	No
Pitch - Mating Interface (in)	0.130 In
Pitch - Mating Interface (mm)	3.30 mm
Polarized to Mating Part	Yes
Stackable	No
Temperature Range - Operating	-25°C to +80°C

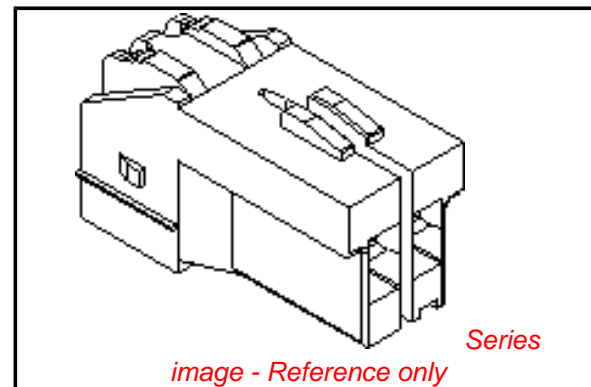
Electrical

Current - Maximum per Contact	4A
-------------------------------	----

Material Info

Reference - Drawing Numbers

Packaging Specification	SPK-501328-001
Product Specification	PS-501328-001, RPS-501328-002, RPS-501328-003
Sales Drawing	SD-501328-001



EU RoHS

ELV and RoHS Compliant
REACH SVHC
 Not Reviewed
Halogen-Free Status
 Not Reviewed

China RoHS



Need more information on product environmental compliance?

Email productcompliance@molex.com
 For a multiple part number RoHS Certificate of Compliance, [click here](#)

Please visit the [Contact Us](#) section for any non-product compliance questions.

Search Parts in this Series

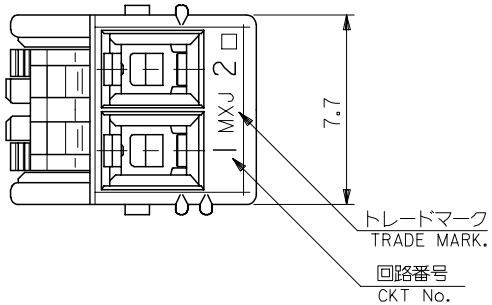
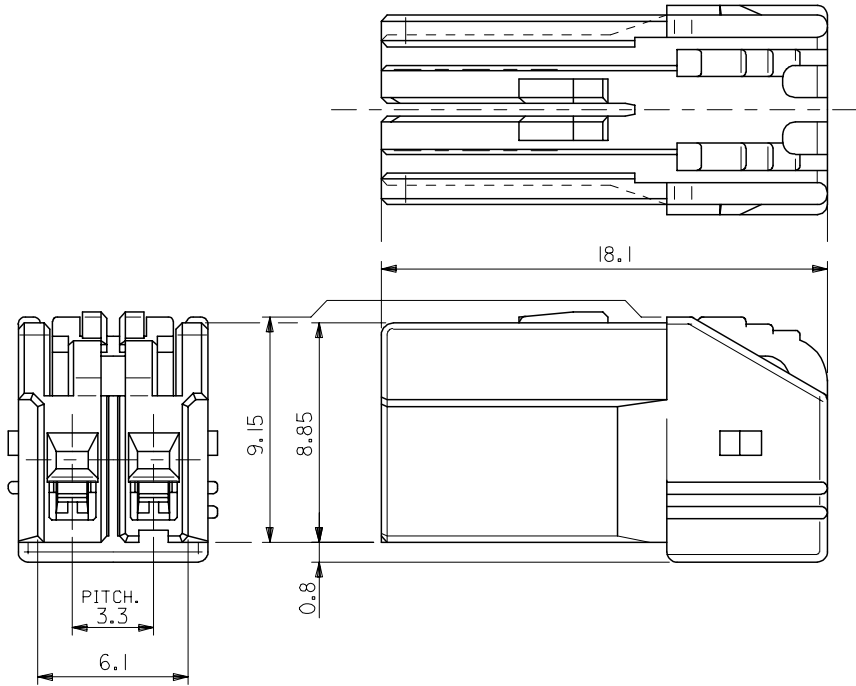
[501328Series](#)

Mates With

[501329-0222](#) Plug Housing . [56265](#) Plug Terminal for AWG#18- 20 . [56279](#) Plug Terminal for AWG#22-26

Use With

[51348-0213](#) Retainer . [501395](#) Receptacle Terminal for AWG# 18-20 . [500989](#) Receptacle Terminal for AWG#22-26

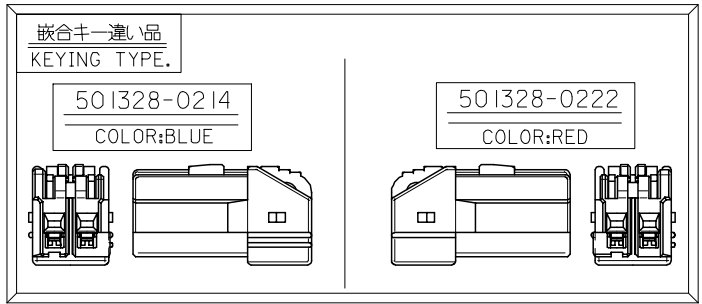
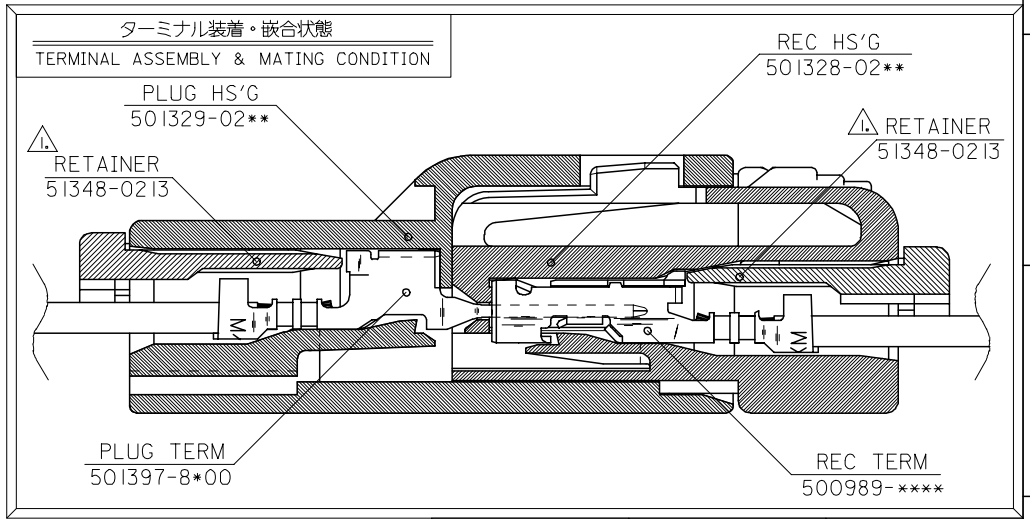


注記
NOTES.

△ 適合リテーナ : 51348-0213
APPLICABLE RETAINER
詳細は SD-51348-001 を参照下さい。
REFERENCE:SD-51348-001

2. 材料 : NYLON66,UL94V-0
MATERIAL

本形状は 501328-0200 を示す。
SHAPE OF 501328-0200



BLUE	501328-0214	501328-02**
RED	501328-0222	
WHITE	501328-0200	
COLOR	MATERIAL No.	MODEL No.

RELEASED EC NO: J2005-2177 DRWN:TODA CHKD:KASAKAWA APPR:SIKAWA 2005/03/31 2005/03/31 2005/03/31	GENERAL TOLERANCES (UNLESS SPECIFIED)		DIMENSION STYLE MM ONLY		SCALE 5:1	DESIGN UNITS METRIC	THIRD ANGLE PROJECTION
	10 UNDER	±0.2	DRAWN BY T.ODA	DATE '04/09/30	TITLE 3.3 W/W INERTIA LOCK CONN REC 2CKT		
	10 OVER 30 UNDER	±0.25	CHECKED BY K.ASAKAWA	DATE '04/09/30			
	30 OVER	±0.3	APPROVED BY S.ICHIKAWA	DATE '04/09/30	MOLEX INCORPORATED DOCUMENT NO. SD-501328-001 SHEET NO. 1 OF 1		
ANGULAR	±3 °	MATERIAL NO.	SEE CHART				
DRAFT WHERE APPLICABLE MUST REMAIN WITHIN DIMENSIONS		SIZE A3		THIS DRAWING CONTAINS INFORMATION THAT IS PROPRIETARY TO MOLEX INCORPORATED AND SHOULD NOT BE USED WITHOUT WRITTEN PERMISSION			