

PLEASE CHECK WWW.MOLEX.COM FOR LATEST PART INFORMATION

Part Number: [0395340003](#)
Status: **Active**
Description: 5.08mm (.200") Pitch Eurostyle™ Horizontal Plug, with Retention Screws, 3 Circuits

Documents:

[3D Model](#) [Product Specification PS-39500-001 \(PDF\)](#)
[Drawing \(PDF\)](#) [RoHS Certificate of Compliance \(PDF\)](#)

General

| | |
|-----------------------------|---------------------------|
| Product Family | Terminal Blocks |
| Series | 39534 |
| Application | Wire-to-Board |
| Component Type | Plug |
| Product Literature Order No | USA-355 |
| Product Name | ESE, Eurostyle™ Pluggable |
| Type | Euro Block |

Physical

| | |
|-------------------------------|--------------------------------|
| Circuits (Loaded) | 3 |
| Entry Angle | Vertical |
| Lock to Mating Part | Yes |
| Number of Rows | 1 |
| Orientation | Horizontal |
| PC Tail Length (in) | 0.200 In |
| PC Tail Length (mm) | 5.08 mm |
| Panel Mount | No |
| Pitch - Mating Interface (in) | 0.200 In |
| Pitch - Mating Interface (mm) | 5.08 mm |
| Polarized to Mating Part | Yes |
| Stackable | No |
| Temperature Range - Operating | -40°C to +105°C |
| Wire Size AWG | 12, 14, 16, 18, 20, 22, 24, 26 |
| Wire Size mm² | 0.13 - 3.31 |

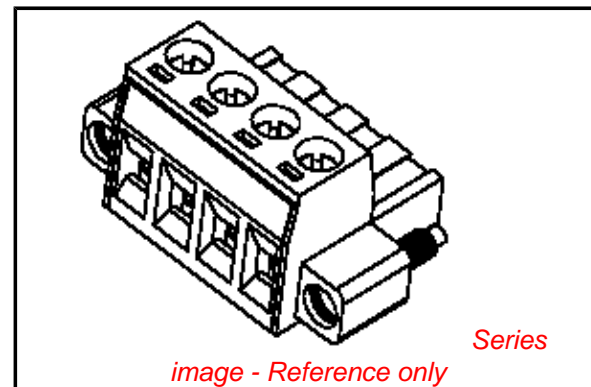
Electrical

| | |
|-------------------------------|------|
| Current - Maximum per Contact | 15A |
| Voltage - Maximum | 300V |

Material Info

Reference - Drawing Numbers

| | |
|-----------------------|--------------|
| Product Specification | PS-39500-001 |
| Sales Drawing | SD-39534-001 |



EU RoHS

**ELV and RoHS
Compliant**
REACH SVHC
 Not Reviewed
**Halogen-Free
Status**

China RoHS



Not Reviewed

**Need more information on product
environmental compliance?**

Email productcompliance@molex.com
 For a multiple part number RoHS Certificate of
 Compliance, [click here](#)

Please visit the [Contact Us](#) section for any
 non-product compliance questions.

Search Parts in this Series

[39534Series](#)

Mates With

Most 5.08mm (.200") Pitch Industry
 Standard PCB Headers, [39535](#) Vertical
 PCB Header with Threaded Retention
 Inserts, [39536](#) Horizontal PCB Header with
 Threaded Retention Inserts

SPECIFICATIONS:

1. MATERIAL:

- (1). SCREW: STEEL.
- (2). COVER: NYLON 66 (PA 66).
- (3). TERMINAL: PHOSPHOR BRONZE.
- (4). CAGE (*): BRASS
- (5). BODY: NYLON 66 (PA 66).
- (6). SCREW: STEEL.

Ⓒ 2. PRODUCT SPECIFICATION: PS-39500-001.

3. WIRE RANGE: 30 - 12AWG.

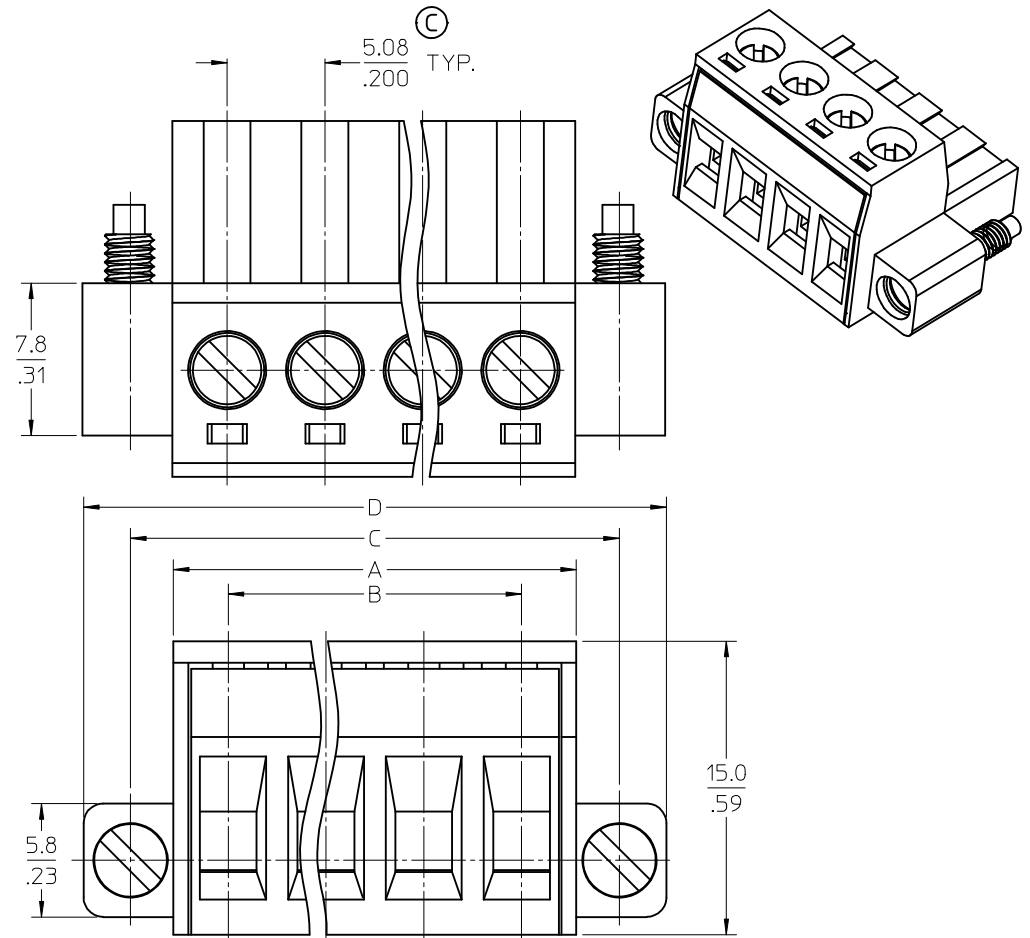
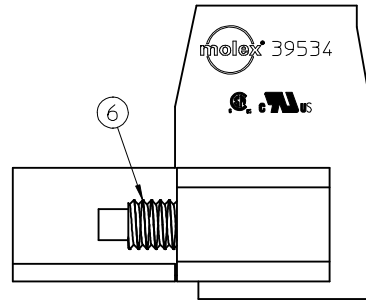
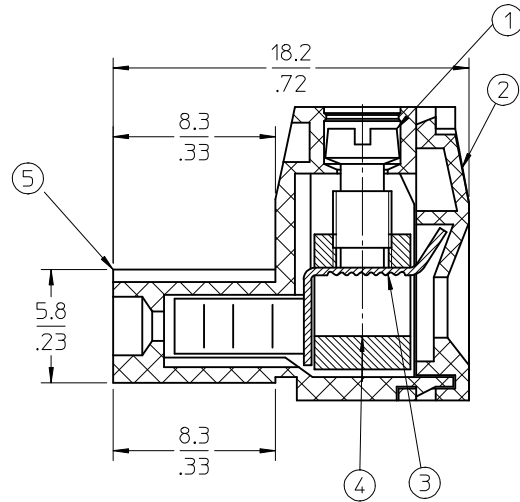
4. WIRE STRIP LENGTH: 6.50/.256.

5. TORQUE: 5 in-lbs.

6. NUMBER OF CIRCUIT POSITIONS AVAILABLE = 2 THROUGH 24.

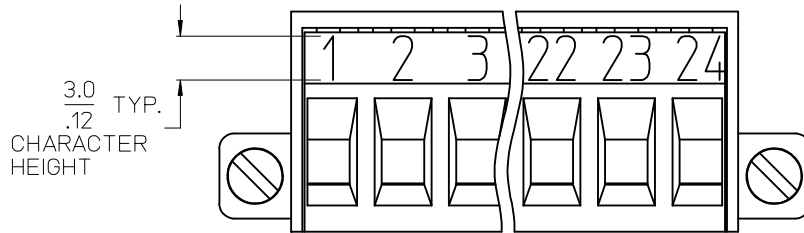
Ⓒ 7. ASSEMBLY IS ROHS COMPLIANT BY EXEMPTION.

COMPONENTS MARKED WITH AN ASTERISK (*) ARE ROHS COMPLIANT BY EXEMPTION, ALL OTHERS ARE ROHS COMPLIANT.

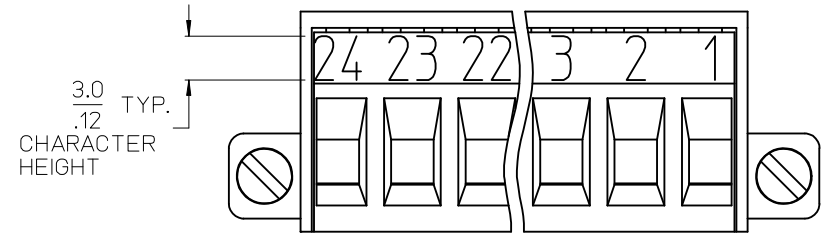


| | | | | | | | |
|--|--------------------|--|---|-----------------|---|--------------|---|
| ADD IMPRINTING EC NO: WNA2009-0618 DRAWN BY: C.YORK 2009/04/29 CHKD: RDEROSS 2009/04/30 APPR: RDEROSS 2009/05/01 | DESCRIPTION REV | QUALITY SYMBOLS | GENERAL TOLERANCES (UNLESS SPECIFIED) | DIMENSION STYLE | SCALE | DESIGN UNITS | THIRD ANGLE PROJECTION |
| | | ▼=0 ▽=0 | mm INCH 4 PLACES ± --- ± --- 3 PLACES ± --- ± .005 2 PLACES ± 0.13 ± .01 1 PLACE ± 0.3 ± --- ANGULAR ± 2 ° | MM/IN | 4:1 | INCH | THIRD ANGLE PROJECTION 5.08MM, EURO PLUG, RIGHT ANGLE, MOUNTING ENDS |
| | | DRAFT WHERE APPLICABLE MUST REMAIN WITHIN DIMENSIONS | DRAWN BY: LROTHAUS 2005/12/06 CHECKED BY: C.YORK 2006/01/06 APPROVED BY: JPAWLICK 2006/01/06 MATERIAL NO. | TITLE | MOLEX INCORPORATED DOCUMENT NO. SD-39534-001 | SHEET NO. | |
| | | SEE CHART | THIS DRAWING CONTAINS INFORMATION THAT IS PROPRIETARY TO MOLEX INCORPORATED AND SHOULD NOT BE USED WITHOUT WRITTEN PERMISSION | 1 OF 2 | | | |

| Circuit size | Material Numbers | | | | | | | | | | | | Dimensional Information | | | | | | | | | | | |
|--------------|------------------|-----------|-----------|------------------|-----------|-----------|------------------|-----------|-----------|------------------|-----------|-----------|-------------------------|-------|--------|-------|--------|-------|--------|-------|--------|----|------|--|
| | Black | | | | | | Green | | | | | | Dim. A | | | | Dim. B | | Dim. C | | Dim. D | | | |
| | 100% Tin | | | 30 u" Gold | | | 100% Tin | | | 30 u" Gold | | | mm | | inch | | mm | | inch | | mm | | inch | |
| | Printing Options | | | Printing Options | | | Printing Options | | | Printing Options | | | mm | | inch | | mm | | inch | | mm | | inch | |
| | None | 10A | 11A | None | 10A | 11A | None | 10A | 11A | None | 10A | 11A | None | 10A | 11A | mm | inch | mm | inch | mm | inch | mm | inch | |
| 2 | 395340002 | 395340102 | 395340202 | 395340502 | 395340602 | 395340702 | 395345002 | 395345102 | 395345202 | 395345502 | 395345602 | 395345702 | 10.16 | 0.400 | 5.08 | 0.200 | 15.08 | 0.594 | 19.96 | 0.786 | | | | |
| 3 | 395340003 | 395340103 | 395340203 | 395340503 | 395340603 | 395340703 | 395345003 | 395345103 | 395345203 | 395345503 | 395345603 | 395345703 | 15.24 | 0.600 | 10.16 | 0.400 | 20.16 | 0.794 | 25.04 | 0.986 | | | | |
| 4 | 395340004 | 395340104 | 395340204 | 395340504 | 395340604 | 395340704 | 395345004 | 395345104 | 395345204 | 395345504 | 395345604 | 395345704 | 20.32 | 0.800 | 15.24 | 0.600 | 25.24 | 0.994 | 30.12 | 1.186 | | | | |
| 5 | 395340005 | 395340105 | 395340205 | 395340505 | 395340605 | 395340705 | 395345005 | 395345105 | 395345205 | 395345505 | 395345605 | 395345705 | 25.40 | 1.000 | 20.32 | 0.800 | 30.32 | 1.194 | 35.20 | 1.386 | | | | |
| 6 | 395340006 | 395340106 | 395340206 | 395340506 | 395340606 | 395340706 | 395345006 | 395345106 | 395345206 | 395345506 | 395345606 | 395345706 | 30.48 | 1.200 | 25.40 | 1.000 | 35.40 | 1.394 | 40.28 | 1.586 | | | | |
| 7 | 395340007 | 395340107 | 395340207 | 395340507 | 395340607 | 395340707 | 395345007 | 395345107 | 395345207 | 395345507 | 395345607 | 395345707 | 35.56 | 1.400 | 30.48 | 1.200 | 40.48 | 1.594 | 45.36 | 1.786 | | | | |
| 8 | 395340008 | 395340108 | 395340208 | 395340508 | 395340608 | 395340708 | 395345008 | 395345108 | 395345208 | 395345508 | 395345608 | 395345708 | 40.64 | 1.600 | 35.56 | 1.400 | 45.56 | 1.794 | 50.44 | 1.986 | | | | |
| 9 | 395340009 | 395340109 | 395340209 | 395340509 | 395340609 | 395340709 | 395345009 | 395345109 | 395345209 | 395345509 | 395345609 | 395345709 | 45.72 | 1.800 | 40.64 | 1.600 | 50.64 | 1.994 | 55.52 | 2.186 | | | | |
| 10 | 395340010 | 395340110 | 395340210 | 395340510 | 395340610 | 395340710 | 395345010 | 395345110 | 395345210 | 395345510 | 395345610 | 395345710 | 50.80 | 2.000 | 45.72 | 1.800 | 55.72 | 2.194 | 60.60 | 2.386 | | | | |
| 11 | 395340011 | 395340111 | 395340211 | 395340511 | 395340611 | 395340711 | 395345011 | 395345111 | 395345211 | 395345511 | 395345611 | 395345711 | 55.88 | 2.200 | 50.80 | 2.000 | 60.80 | 2.394 | 65.68 | 2.586 | | | | |
| 12 | 395340012 | 395340112 | 395340212 | 395340512 | 395340612 | 395340712 | 395345012 | 395345112 | 395345212 | 395345512 | 395345612 | 395345712 | 60.96 | 2.400 | 55.88 | 2.200 | 65.88 | 2.594 | 70.76 | 2.786 | | | | |
| 13 | 395340013 | 395340113 | 395340213 | 395340513 | 395340613 | 395340713 | 395345013 | 395345113 | 395345213 | 395345513 | 395345613 | 395345713 | 66.04 | 2.600 | 60.96 | 2.400 | 70.96 | 2.794 | 75.84 | 2.986 | | | | |
| 14 | 395340014 | 395340114 | 395340214 | 395340514 | 395340614 | 395340714 | 395345014 | 395345114 | 395345214 | 395345514 | 395345614 | 395345714 | 71.12 | 2.800 | 66.04 | 2.600 | 76.04 | 2.994 | 80.92 | 3.186 | | | | |
| 15 | 395340015 | 395340115 | 395340215 | 395340515 | 395340615 | 395340715 | 395345015 | 395345115 | 395345215 | 395345515 | 395345615 | 395345715 | 76.20 | 3.000 | 71.12 | 2.800 | 81.12 | 3.194 | 86.00 | 3.386 | | | | |
| 16 | 395340016 | 395340116 | 395340216 | 395340516 | 395340616 | 395340716 | 395345016 | 395345116 | 395345216 | 395345516 | 395345616 | 395345716 | 81.28 | 3.200 | 76.20 | 3.000 | 86.20 | 3.394 | 91.08 | 3.586 | | | | |
| 17 | 395340017 | 395340117 | 395340217 | 395340517 | 395340617 | 395340717 | 395345017 | 395345117 | 395345217 | 395345517 | 395345617 | 395345717 | 86.36 | 3.400 | 81.28 | 3.200 | 91.28 | 3.594 | 96.16 | 3.786 | | | | |
| 18 | 395340018 | 395340118 | 395340218 | 395340518 | 395340618 | 395340718 | 395345018 | 395345118 | 395345218 | 395345518 | 395345618 | 395345718 | 91.44 | 3.600 | 86.36 | 3.400 | 96.36 | 3.794 | 101.24 | 3.986 | | | | |
| 19 | 395340019 | 395340119 | 395340219 | 395340519 | 395340619 | 395340719 | 395345019 | 395345119 | 395345219 | 395345519 | 395345619 | 395345719 | 96.52 | 3.800 | 91.44 | 3.600 | 101.44 | 3.994 | 106.32 | 4.186 | | | | |
| 20 | 395340020 | 395340120 | 395340220 | 395340520 | 395340620 | 395340720 | 395345020 | 395345120 | 395345220 | 395345520 | 395345620 | 395345720 | 101.60 | 4.000 | 96.52 | 3.800 | 106.52 | 4.194 | 111.40 | 4.386 | | | | |
| 21 | 395340021 | 395340121 | 395340221 | 395340521 | 395340621 | 395340721 | 395345021 | 395345121 | 395345221 | 395345521 | 395345621 | 395345721 | 106.68 | 4.200 | 101.60 | 4.000 | 111.60 | 4.394 | 116.48 | 4.586 | | | | |
| 22 | 395340022 | 395340122 | 395340222 | 395340522 | 395340622 | 395340722 | 395345022 | 395345122 | 395345222 | 395345522 | 395345622 | 395345722 | 111.76 | 4.400 | 106.68 | 4.200 | 116.68 | 4.594 | 121.56 | 4.786 | | | | |
| 23 | 395340023 | 395340123 | 395340223 | 395340523 | 395340623 | 395340723 | 395345023 | 395345123 | 395345223 | 395345523 | 395345623 | 395345723 | 116.84 | 4.600 | 111.76 | 4.400 | 121.76 | 4.794 | 126.64 | 4.986 | | | | |
| 24 | 395340024 | 395340124 | 395340224 | 395340524 | 395340624 | 395340724 | 395345024 | 395345124 | 395345224 | 395345524 | 395345624 | 395345724 | 121.92 | 4.800 | 116.84 | 4.600 | 126.84 | 4.994 | 131.72 | 5.186 | | | | |



© 10A IMPRINTING



© 11A IMPRINTING

| | | | | |
|---|-------------------------------|--|--|--|
| SEE SHEET 1 EC NO: MNA2009-0618 DRAWN BY: C. YORK 2009/04/29 CHKD: R. ROSS 2009/04/30 APPR: R. ROSS 2009/05/01 | QUALITY SYMBOLS ▽=0 ▽=0 | GENERAL TOLERANCES (UNLESS SPECIFIED) mm INCH 4 PLACES ± --- ± --- 3 PLACES ± --- ± .005 2 PLACES ± 0.13 ± .01 1 PLACE ± 0.3 ± --- ANGULAR ± 2 ° | DIMENSION STYLE MM/IN DRAWN BY: LROTHAUS DATE: 2005/12/06 CHECKED BY: C. YORK DATE: 2006/01/06 APPROVED BY: JP AWLICK DATE: 2006/01/06 | SCALE: 3:1 DESIGN UNITS: INCH THIRD ANGLE PROJECTION |
| | | DRAFT WHERE APPLICABLE MUST REMAIN WITHIN DIMENSIONS | MATERIAL NO. SEE CHART DOCUMENT NO. SD-39534-001 SHEET NO. 2 OF 2 | |
| | | MOLEX INCORPORATED 5.08MM, EURO PLUG, RIGH ANGLE, MOUNTING ENDS | | |
| | | THIS DRAWING CONTAINS INFORMATION THAT IS PROPRIETARY TO MOLEX INCORPORATED AND SHOULD NOT BE USED WITHOUT WRITTEN PERMISSION | | |