

PLEASE CHECK WWW.MOLEX.COM FOR LATEST PART INFORMATION

Part Number: [0387112204](#)
Status: **Active**
Description: 9.53mm (.375") Pitch Beau™ PCB Terminal Strip, Low Profile, Wire Wrap Terminal, 4 Circuits

Documents:

[3D Model](#) [Product Specification PS-38710-001 \(PDF\)](#)
[Drawing \(PDF\)](#) [RoHS Certificate of Compliance \(PDF\)](#)

General

Product Family	Terminal Blocks
Series	38711
Application	Wire-to-Board
Component Type	One Piece
Product Name	Fixed Mount Barrier
Type	Barrier Strip

Physical

Circuits (Loaded)	4
Circuits (maximum)	4
Color - Resin	Black
Entry Angle	Horizontal
Lock to Mating Part	None
Material - Metal	Brass
Material - Plating Mating	Tin
Material - Plating Termination	Tin
Material - Resin	Polyester
Number of Rows	1
Orientation	Horizontal
PC Tail Length (in)	0.470 In
PC Tail Length (mm)	11.90 mm
PCB Retention	Yes
PCB Thickness Recommended (in)	0.156 In
PCB Thickness Recommended (mm)	3.96 mm
Panel Mount	No
Pitch - Mating Interface (in)	0.375 In
Pitch - Mating Interface (mm)	9.53 mm
Pitch - Term. Interface (in)	0.375 In
Pitch - Term. Interface (mm)	9.53 mm
Polarized to Mating Part	No
Shrouded	Dual-Barrier
Stackable	No
Surface Mount Compatible (SMC)	No
Temperature Range - Operating	-40°C to +130°C
Termination Interface: Style	Screw or Lug
Wire Size AWG	14, 16, 18, 20, 22
Wire Size mm²	0.50 - 1.50

Electrical

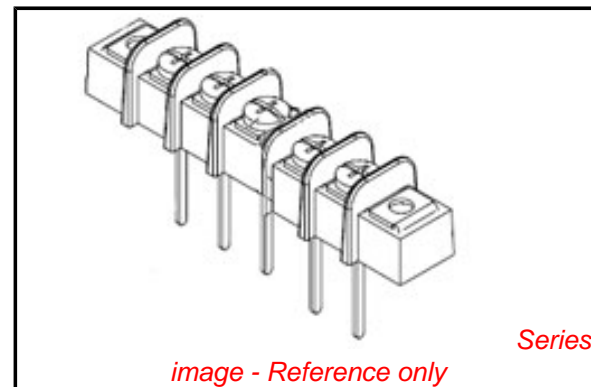
Current - Maximum per Contact	15A
Voltage - Maximum	300V

Solder Process Data

Lead-free Process Capability	Wave Capable (TH only)
------------------------------	------------------------

Material Info

Old Part Number	71704
-----------------	-------



EU RoHS

ELV and RoHS Compliant
REACH SVHC
 Not Reviewed
Halogen-Free
Status
Not Reviewed

China RoHS



Need more information on product environmental compliance?

Email productcompliance@molex.com
 For a multiple part number RoHS Certificate of Compliance, [click here](#)

Please visit the [Contact Us](#) section for any non-product compliance questions.

Search Parts in this Series
[38711Series](#)

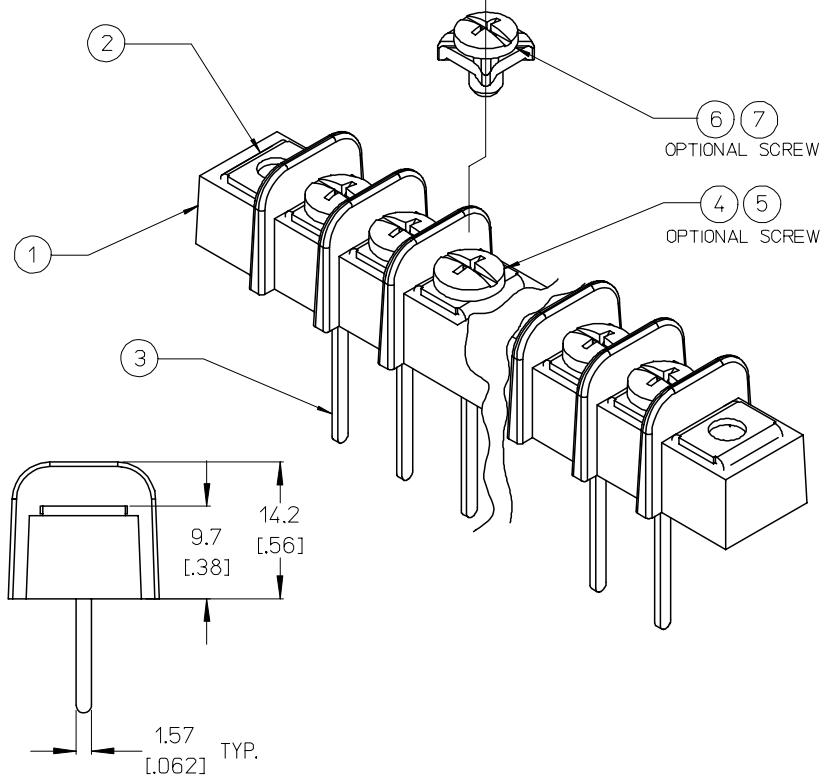
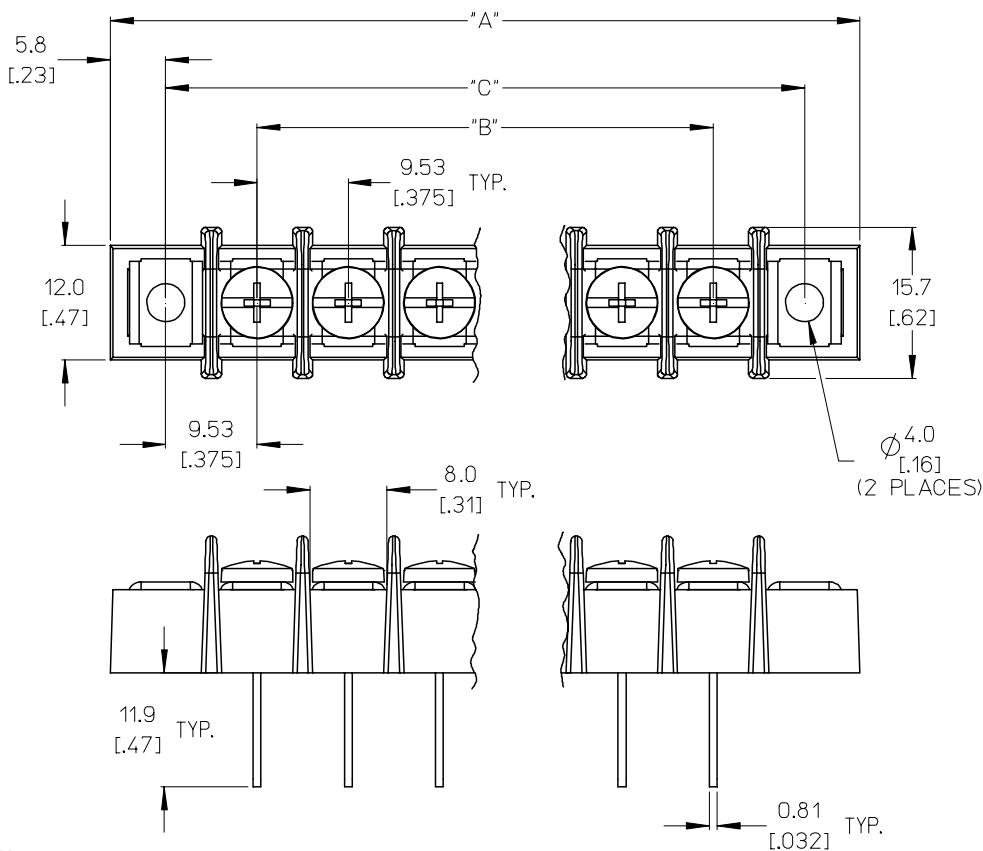
Reference - Drawing Numbers

Product Specification
Sales Drawing

PS-38710-001
SD-38711-003

This document was generated on 04/23/2010

PLEASE CHECK WWW.MOLEX.COM FOR LATEST PART INFORMATION



NOTES:

- 1. MATERIAL: SEE TABLE
- 2. FINISHES: SEE TABLE
- 3. INCH DIMENSIONS ARE SHOWN IN BRACKETS [XXX].
- 4. "XX" REFERS TO NUMBER OF CIRCUITS.
- 5. ASSEMBLY IS ROHS COMPLIANT.

ITEM	QTY.	DESCRIPTION	MATERIAL	FINISH
7	XX	#6-32 PH/SLOTTED SCREW W/ WASHER (OPT -49,-50)	BRASS	NICKEL PLATE
6	XX	#6-32 PH/SLOTTED SCREW W/ WASHER (OPT -50)	STEEL	ZN, CLEAR CHROMATE
5	XX	#6-32 PH/SLOTTED SCREW (OPT -49)	BRASS	NICKEL PLATE
4	XX	#6-32 PH/SLOTTED SCREW (STANDARD)	STEEL	ZN, CLEAR CHROMATE
3	XX	TERMINAL, WW	BRASS	TIN PLATE
2	2	MOUNTING PLATE	BRASS	NICKEL PLATE
1	1	INSULATOR	PBT	BLACK

INITIAL RELEASE
 EC NO: ETC2007-0344
 DRW: JYORK 2007/04/10
 CHKD: JMACNEIL 2007/04/27
 APPR: JMACNEIL 2007/04/30

QUALITY SYMBOLS

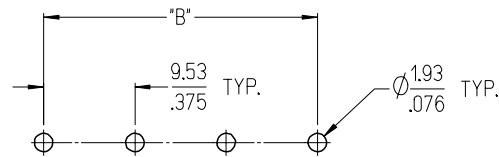
GENERAL TOLERANCES (UNLESS SPECIFIED)	
	MM
4 PLACES	± .005
3 PLACES	± .005
2 PLACES	± 0.13
1 PLACE	± 0.3
ANGULAR ± 2 °	

DIMENSION STYLE	
MM/IN	DATE
C. YORK	2007/03/20
JMACNEIL	2007/03/20
JMACNEIL	2007/03/20

SCALE	DESIGN UNITS	THIRD ANGLE PROJECTION
2:1	INCH	
TITLE: 9.53MM [.375] SR BTS, WW ASSY, LOW PROFILE		
APPROVED BY: JMACNEIL DATE: 2007/03/20		
MATERIAL NO. SEE SHT. 2		SHEET NO. 1 OF 2
DOCUMENT NO. SD-38711-003		

THIS DRAWING CONTAINS INFORMATION THAT IS PROPRIETARY TO MOLEX INCORPORATED AND SHOULD NOT BE USED WITHOUT WRITTEN PERMISSION

MATERIAL NO. (OPT -49,-50)	MATERIAL NO. (OPT -49)	MATERIAL NO. (OPT -50)	MATERIAL NO. (STANDARD)	NUMBER OF CIRCUITS "XX"	DIM. "A"		DIM. "B"		DIM. "C"	
38719-0466	38711-2802	38711-3402	38711-2202	02	40.2	[1.58]	9.53	[.375]	28.6	[1.13]
	38711-2803	38711-3403	38711-2203	03	49.7	[1.96]	19.05	[.750]	38.1	[1.50]
38719-0614	38711-2804	38711-3404	38711-2204	04	59.2	[2.33]	28.58	[1.125]	47.6	[1.88]
	38711-2805	38711-3405	38711-2205	05	68.7	[2.71]	38.10	[1.500]	57.2	[2.25]
38719-0467	38711-2806	38711-3406	38711-2206	06	78.3	[3.08]	47.63	[1.875]	66.7	[2.63]
38719-0468	38711-2807	38711-3407	38711-2207	07	87.8	[3.46]	57.15	[2.250]	76.2	[3.00]
	38711-2808	38711-3408	38711-2208	08	97.3	[3.83]	66.68	[2.625]	85.7	[3.38]
38719-0469	38711-2809	38711-3409	38711-2209	09	106.8	[4.21]	76.20	[3.000]	95.3	[3.75]
	38711-2810	38711-3410	38711-2210	10	116.4	[4.58]	85.73	[3.375]	104.8	[4.13]
	38711-2811	38711-3411	38711-2211	11	125.9	[4.96]	95.25	[3.750]	114.3	[4.50]
	38711-2812	38711-3412	38711-2212	12	135.4	[5.33]	104.78	[4.125]	123.8	[4.88]
	38711-2813	38711-3413	38711-2213	13	144.9	[5.71]	114.30	[4.500]	133.4	[5.25]
	38711-2814	38711-3414	38711-2214	14	154.5	[6.08]	123.83	[4.875]	142.9	[5.63]
	38711-2815	38711-3415	38711-2215	15	164.0	[6.46]	133.35	[5.250]	152.4	[6.00]
	38711-2816	38711-3416	38711-2216	16	173.5	[6.83]	142.88	[5.625]	161.9	[6.38]
	38711-2817	38711-3417	38711-2217	17	183.0	[7.21]	152.40	[6.000]	171.5	[6.75]
	38711-2818	38711-3418	38711-2218	18	192.6	[7.58]	161.93	[6.375]	181.0	[7.13]
	38711-2819	38711-3419	38711-2219	19	202.1	[7.96]	171.45	[6.750]	190.5	[7.50]
	38711-2820	38711-3420	38711-2220	20	211.6	[8.33]	180.98	[7.125]	200.0	[7.88]
	38711-2821	38711-3421	38711-2221	21	221.1	[8.71]	190.50	[7.500]	209.6	[8.25]
	38711-2822	38711-3422	38711-2222	22	230.7	[9.08]	200.03	[7.875]	219.1	[8.63]
	38711-2823	38711-3423	38711-2223	23	240.2	[9.46]	209.55	[8.250]	228.6	[9.00]
	38711-2824	38711-3424	38711-2224	24	249.7	[9.83]	219.08	[8.625]	238.1	[9.38]
	38711-2825	38711-3425	38711-2225	25	259.2	[10.21]	228.60	[9.000]	247.7	[9.75]
	38711-2826	38711-3426	38711-2226	26	268.8	[10.58]	238.13	[9.375]	257.2	[10.13]



RECOMMENDED PCB LAYOUT

SEE SHEET 1 EC NO: ETC2007-0344 DRWN: CLYORK 2007/04/10 CHKD: JMACNEIL 2007/04/27 APPR: JMACNEIL 2007/04/30	QUALITY SYMBOLS ▽=0 ▽=0	GENERAL TOLERANCES (UNLESS SPECIFIED)		DIMENSION STYLE MM/IN		SCALE 2:1	DESIGN UNITS INCH	THIRD ANGLE PROJECTION
		4 PLACES ± --- ± ---	3 PLACES ± --- ± .005	DRAWN BY C. YORK	DATE 2007/03/20	TITLE 9.53MM [.375] SR BTS, WW ASSY, LOW PROFILE		
		2 PLACES ± 0.13 ± .01	1 PLACE ± 0.3 ± ---	CHECKED BY JMACNEIL	DATE 2007/03/20			
		ANGULAR ± 2 °		APPROVED BY JMACNEIL		DATE 2007/03/20	MOLEX INCORPORATED	
DRAFT WHERE APPLICABLE MUST REMAIN WITHIN DIMENSIONS		MATERIAL NO. SEE CHART		DOCUMENT NO. SD-38711-003		SHEET NO. 2 OF 2		
		SIZE B	THIS DRAWING CONTAINS INFORMATION THAT IS PROPRIETARY TO MOLEX INCORPORATED AND SHOULD NOT BE USED WITHOUT WRITTEN PERMISSION					