

**PLEASE CHECK WWW.MOLEX.COM FOR LATEST PART INFORMATION**

**Part Number:** [0357253000](#)  
**Status:** **Active**  
**Description:** 6.35mm (.250") Tab Slip-On Wire-to-Wire Terminal, Male, 20-22 AWG, Unplated

**Documents:**

<a href="#">Drawing (PDF)</a>	<a href="#">Product Specification PS-35725-005 (PDF)</a>
<a href="#">Product Specification PS-35270-001 (PDF)</a>	<a href="#">Product Specification PS-35955-001 (PDF)</a>
<a href="#">Product Specification PS-35385-001 (PDF)</a>	<a href="#">RoHS Certificate of Compliance (PDF)</a>
<a href="#">Product Specification PS-35725-002 (PDF)</a>	

**General**

Product Family	Crimp Terminals
Series	<a href="#">35725</a>
Crimp Quality Equipment	Yes
Product Name	N/A

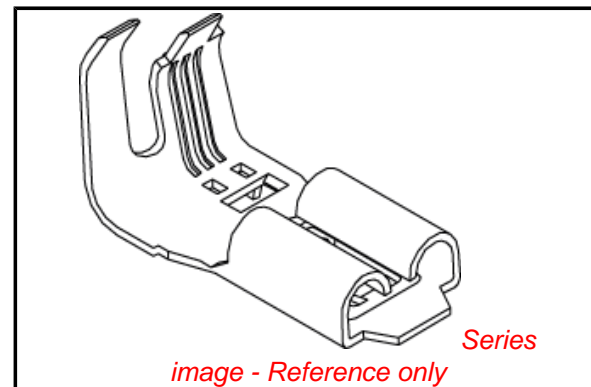
**Physical**

Gender	Male
Material - Metal	Brass
Material - Plating Mating	Unplated
Packaging Type	Reel
Termination Interface: Style	Crimp or Compression
Wire Insulation Diameter	2.60mm (.102") max.
Wire Size AWG	20, 22
Wire Size mm <sup>2</sup>	N/A

**Material Info**

**Reference - Drawing Numbers**

Product Specification	PS-35270-001, PS-35385-001, PS-35725-002, PS-35725-005, PS-35955-001
Sales Drawing	SD-35725-***0



**EU RoHS**

**ELV and RoHS  
Compliant**  
**REACH SVHC  
Contains SVHC: No**  
**Halogen-Free  
Status**

**China RoHS**



**Need more information on product  
environmental compliance?**

Email [productcompliance@molex.com](mailto:productcompliance@molex.com)  
 For a multiple part number RoHS Certificate of  
 Compliance, [click here](#)

Please visit the [Contact Us](#) section for any  
 non-product compliance questions.

**Search Parts in this Series**  
[35725Series](#)

**Mates With**  
[35725-3800](#)

DO NOT SCALE DRAWING  
DIMENSION IN METRIC

B

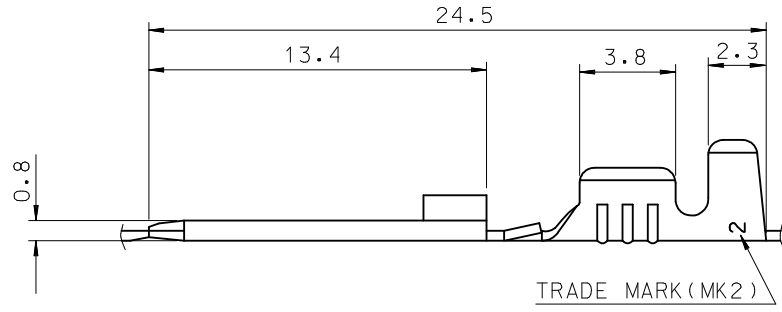
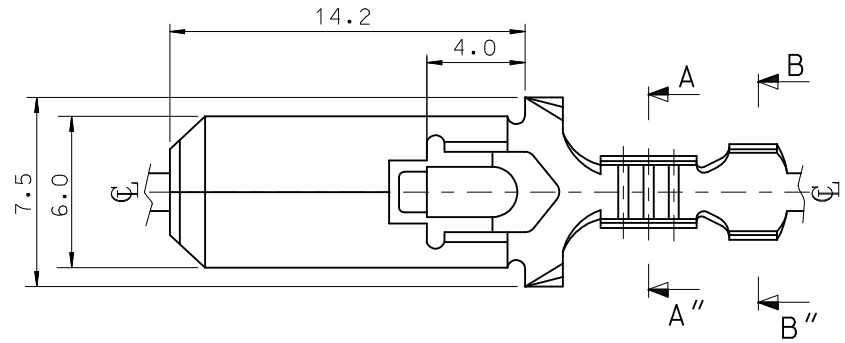
C

PROJECT NO.

SIMILAR ITEM

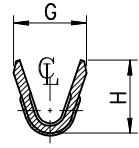
DWG. 10.

SD\_35725-30\*0/18\*0/19\*0

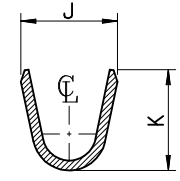


NOTES

1. MATERIAL: BRASS, 0.39mm THICK'
2. FINISH: UNPLATED (35725-3000/1800/1900/2000)  
POST-TIN PLATED (35725-3010/1810/1910/2010)
3. MATING RECEPTACLE TERMINAL: 35725-36\*0(L)  
35725-37\*0(M)  
35725-38\*0(S)



SECTION A-A''



SECTION B-B''

ENG.NO.	G	H	J	K	WIRE RANGE	SIZE
35725-30*0	2.85	2.9	3.8	4.0	AWG#22-#20	S
35725-18*0	3.4	3.6	5.2	5.2	AWG#18-#14	M
35725-19*0	5.3	4.5	6.2	5.6	AWG#14-#12	L
35725-20*0	5.3	4.5	6.6	4.8	AWG #18x2	XL

REVISED EC NO. KOR2000-0007 DRW:W.Y.YANG 00/02/08 CH'K: APPR:	DESCRIPTION MAJOR = 0 CRITICAL C = 0	GENERAL TOLERANCES: (UNLESS SPECIFIED)		SCALE 5:1	DESIGN UNITS <input checked="" type="checkbox"/> mm <input type="checkbox"/> INCH	DIMENSIONS: <input type="checkbox"/> mm <input type="checkbox"/> INCH <input checked="" type="checkbox"/> mm ONLY	SHT REV	
		4 PLACES ±0. ±. 3 PLACES ±0. ±. 2 PLACES ±0.30 ±. 1 PLACE ±0.30 ±.	DRAWN BY & DATE W.Y.YANG 93/03/05	TITLE: .250 SLIP-ON TAB			THIRD ANGLE PROJECTION	REVISIONS CAD ONLY
		ANGULAR: ± 3°	APPROVED BY & DATE C.W.LEE 93/03/05	MOLEX INCORPORATED KOREA			SHEET NO. 10F1	
C	REV	DRAFT WHERE APPLICABLE MUST REMAIN WITHIN DIMENSIONS		CAD FILENAME S7253000.DGN	MATERIAL NO. SEE CHART	DRAWING NO. SD-35725-***0	SIZE B	