

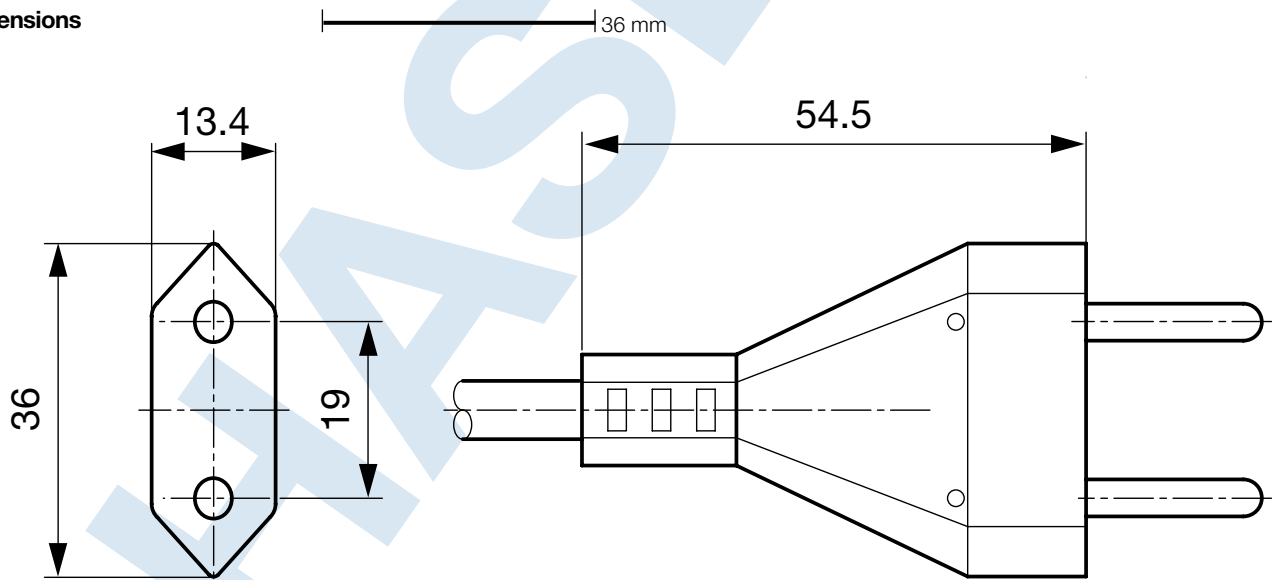
Power Supply Cord with CH Power (Mains) Plug 2-pole, Straight

**Description**

Power Supply Cord, Protection class II, Pin temperature 70 °C, Cable

References[General Product Information](#)**Weblinks**[Approvals, RoHS, CHINA-RoHS, Mating Connectors, Distributor-Stock-Check, Accessories](#)**Technical Data**

Ratings IEC	10A / 250VAC; 50Hz
Ratings UL/CSA	10A / 250VAC; 60Hz
Dielectric Strength	> 2 kVDC between L-N > 2 kVAC between L/N-PE (1 min/50Hz)
Allowable Operation Temp.	-25 °C to 70 °C
Degree of Protection	from front side IP 20 acc. to IEC 60529
Protection Class	Suitable for appliances with protection class 2 acc. to IEC 61140
Terminal	moulded
Material: Housing	PVC, black or grey

Dimensions

Config. Code

Product Configurator

2225 - R - Type - D - Length

The characters are placeholders for the correspondingly keys of selections from the key tables.
Typ steht für die Dose bzw. 2. Seite, Länge ist die Leitungslänge in mm.

2225 - R - Type - D - Length = cord type

cord type	Configuration key
H03VV-F 2x0,75mm ²	A
H03VWH2-F 2x0,75mm ²	B
H05VV-F 2x0,75mm ²	D
H05VWH2-F 2x0,75mm ²	E
H05VV-F 2x1,0mm ²	F
special cord	Z

Cord definition is detailed in general product information XXX

2225 - R - Type - D - Length = Cord end 2

Cord end 2
zzzz, 0301, 2510, 2511, 3016, 3113, 3127, 3130, 4810, 9011

2225 - R - Type - D - Length = Color

Color	Configuration key
jet black; RAL9005	A
silver grey; RAL7001	B
standard color: black	

2225 - R - Type - D - Length = Cord length

Cord length
zzzz, 000500, 001000, 001500, 002000, 002500, 003000, 005000
Cord length in mm

Variants

Config. Code	Description	Order Number
2225-F-3130-B-002500	2225, IEC Power Supply Cord , 70°C, version: Protection Class 2, cord type: H05VV-F 2x1,0mm ² , cord end: 3130, color: silver grey; RAL7001, cord length in mm: 002500	6051.0001
2225-F-3113-B-002500	2225, IEC Power Supply Cord , 70°C, version: Protection Class 2, cord type: H05VV-F 2x1,0mm ² , cord end: 3113, color: silver grey; RAL7001, cord length in mm: 002500	6051.0079

The listed variants should be available from stock Other versions on request www.schurter.com/contact

Packaging unit	100 Pcs
-----------------------	---------