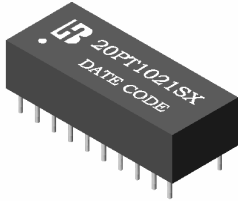


10/100 BASE-TX DUAL DIP PORT TRANSFORMER APPLY TO MDIX

P/N: 20PT1021SX DATA SHEET

Feature

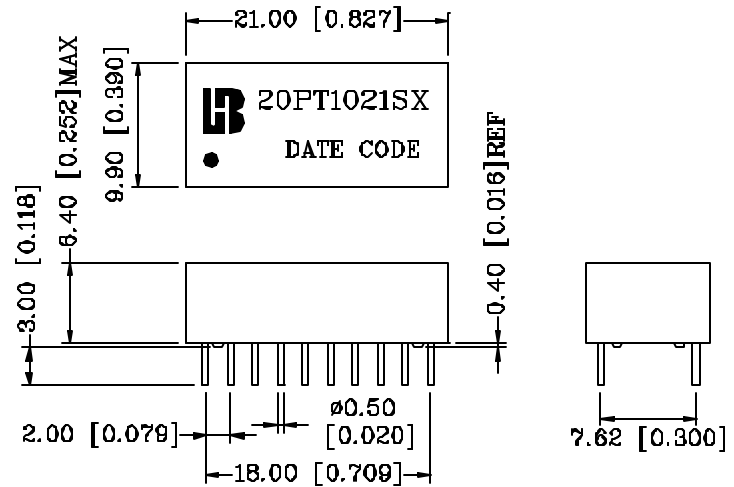
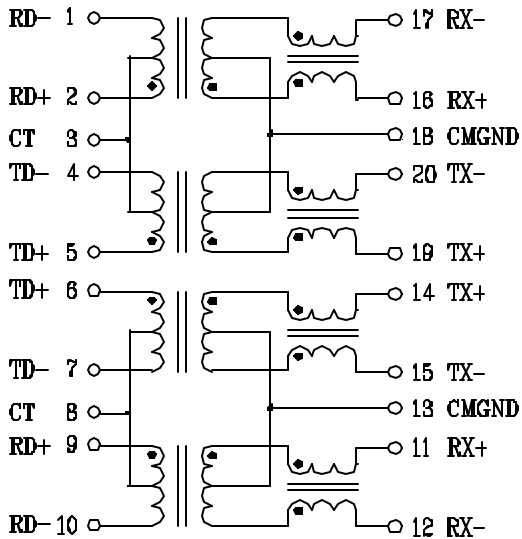


- IEEE 802.3 Ethernet compatible, 100 BASE-TX.
- 20 PIN DIP Package compatible with popular IC chips.
- Design for multiport repeater and Ethernet switching Hub application.
- Customer designs available for specific application.
- Operating temperature range : 0°C to +70°C.
- Storage temperature range: -25°C to +125°C.

Electrical Specifications @ 25°C								
Part Number	Turns Ratio (±5%)		OCL(i H Min) @100KHz/0.1Vrms 8mA DC/Bias	L.L (i H Max)	Cw/w (pF Max)	Rise Time (ns TYP)	DCR (TX /RX) (Ü Max)	HI-POT (Vrms)
	TX	RX						
20PT1021SX	1CT:1CT	1CT:1CT	350	0.5	50	2.5	0.9	1500
Continue								
Part Number	Insertion Loss (dB Max)	Return Loss (dB Min)			Cross talk (dB Min)	DCMR (dB Min)		
	0.3-100MHz	0.3-30MHz	30-60MHz	60-80MHz	0.3-100MHz	0.3-100MHz		
20PT1021SX	-1.15	-18	-14	-12	-38	-40		

Schematic

Mechanical



Units: mm[Inches] Tolerance: xx.x0±0.25[0.010]
0.xx±0.05[0.002]