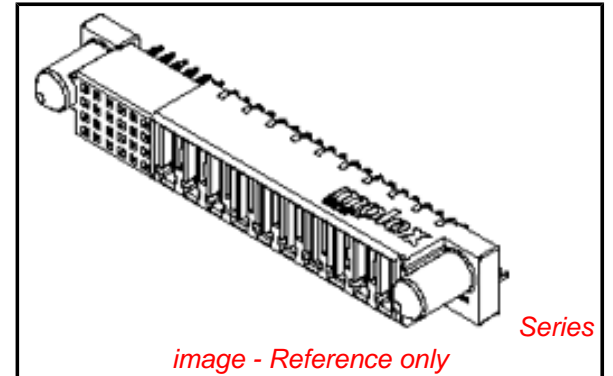


PLEASE CHECK WWW.MOLEX.COM FOR LATEST PART INFORMATION

Part Number: **0879252000**
Status: **Active**
Overview: extreme_powerplus_ssi
Description: 5.08mm (.200") Pitch, Power, 2.54mm (.100") Pitch, Signal, EXTreme PowerPlus™ Pa-S Receptacle, Press-fit, Vertical, Power Alpha 24, Signal 10, Recessed Power Circuit A1-A3, A9, A10, 34 Circuits, with Beveled Metal Pins, Leadfree

Documents:

[3D Model](#) [Product Specification PS-87925-006 \(PDF\)](#)
[Drawing \(PDF\)](#) [RoHS Certificate of Compliance \(PDF\)](#)



General

Product Family	PCB Receptacles
Series	87925
Application	Board-to-Board
Comments	Recessed Power Circuit A1, A2, A3, A9, A10
Overview	<u>extreme_powerplus_ssi</u>
Product Name	EXTreme PowerPlus™

Physical

Circuits (Loaded)	34
Circuits Detail	Power Alpha 24, Signal 10
Color - Resin	Black
Durability (mating cycles max)	100
Glow-Wire Compliant	No
Guide to Mating Part	Yes
Keying to Mating Part	Yes
Material - Metal	Copper Alloy
Material - Plating Mating	Gold
Material - Plating Termination	Tin
Material - Resin	High Temperature Thermoplastic
Number of Rows	4
Orientation	Vertical
PC Tail Length (in)	0.135 In
PC Tail Length (mm)	3.43 mm
PCB Locator	No
PCB Retention	Yes
PCB Thickness Recommended (in)	0.090 In
PCB Thickness Recommended (mm)	2.36 mm
Packaging Type	Tray
Pitch - Mating Interface (in)	0.100 In, 0.125 In, 0.200 In
Pitch - Mating Interface (mm)	2.54 mm, 3.18 mm, 5.08 mm
Plating min: Mating (µin)	30
Plating min: Mating (µm)	0.76
Plating min: Termination (µin)	100
Plating min: Termination (µm)	2.54
Polarized to Mating Part	Yes
Polarized to PCB	Yes
Temperature Range - Operating	-20°C to +105°C
Termination Interface: Style	Through Hole - Compliant Pin

Electrical

Current - Maximum per Contact	2.5A, 30A
Voltage - Maximum	50V DC

Material Info

EU RoHS ELV and RoHS Compliant REACH SVHC Contains SVHC: No Halogen-Free Status Halogen-Free	China RoHS 
---	--

Need more information on product environmental compliance?

Email productcompliance@molex.com
 For a multiple part number RoHS Certificate of Compliance, [click here](#)

Please visit the [Contact Us](#) section for any non-product compliance questions.

Search Parts in this Series
87925Series

Reference - Drawing Numbers

Application Specification

Product Specification

Sales Drawing

AS-87631-018, AS-87633-007

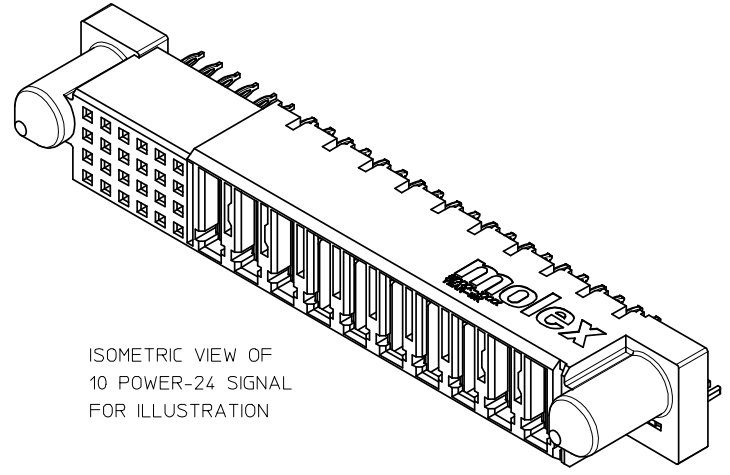
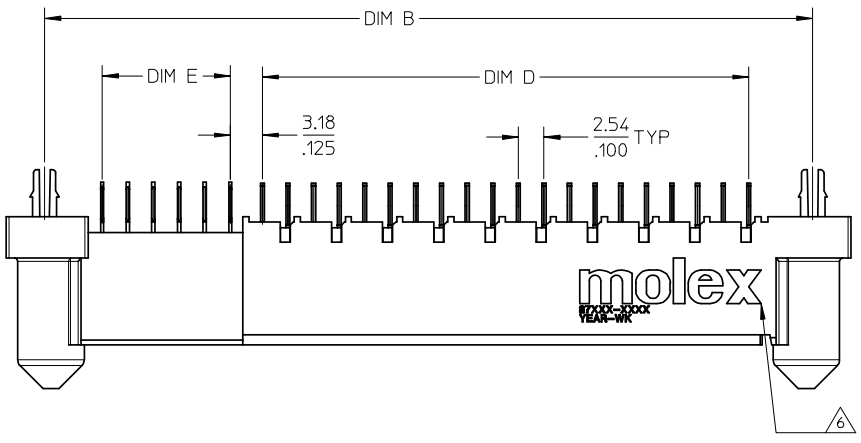
PS-87925-006

SD-87925-012

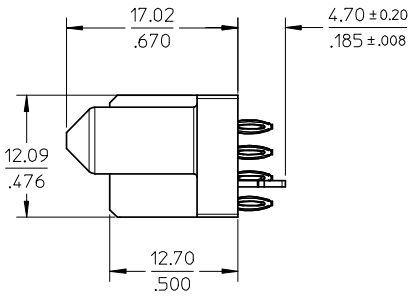
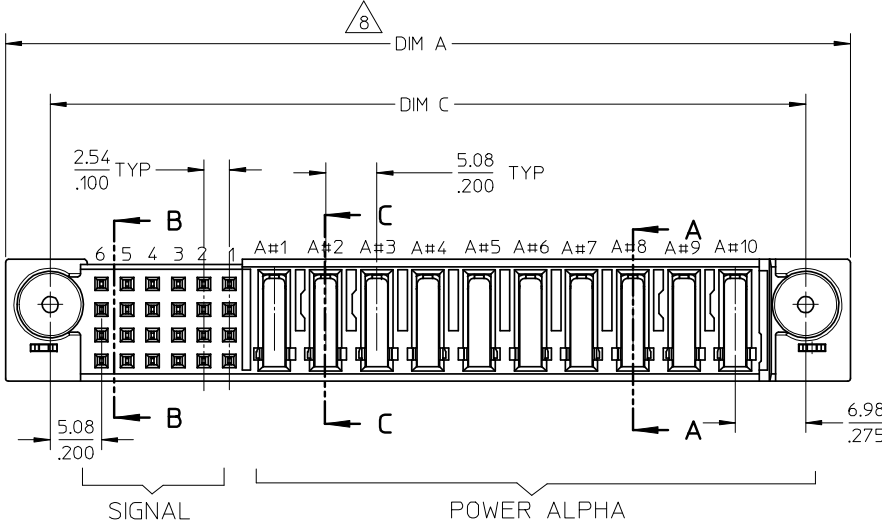
This document was generated on 05/22/2010

PLEASE CHECK WWW.MOLEX.COM FOR LATEST PART INFORMATION

10 9 8 7 6 5 4 3 2 1



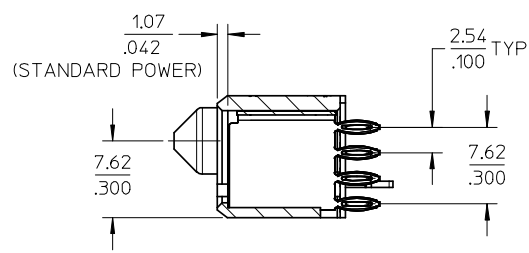
ISOMETRIC VIEW OF
10 POWER-24 SIGNAL
FOR ILLUSTRATION



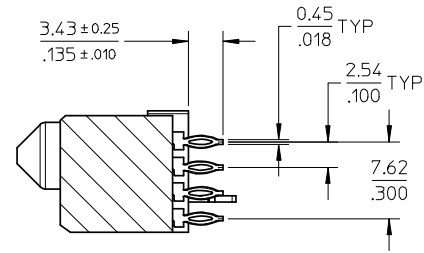
REVISED EC NO: S2008-1051 DRWN:SKANG CHKD:ATSEE APPR:MLONG 2008/05/20 2008/05/20 2008/05/20	QUALITY SYMBOLS ▽=0 ◻=0	GENERAL TOLERANCES (UNLESS SPECIFIED) mm INCH 4 PLACES ± --- ± --- 3 PLACES ± --- ± .01 2 PLACES ± 0.25 ± --- 1 PLACE ± --- ± --- ANGULAR ± 3 °	DIMENSION STYLE MM/IN DRAWN BY DATE GMENARLY 2007/02/14 CHECKED BY DATE SKANG 2007/03/08 APPROVED BY DATE MLONG 2007/03/08 MATERIAL NO. SEE TABLE	SCALE NTS DESIGN UNITS METRIC	THIRD ANGLE PROJECTION	TITLE POWER CONN. RECEPTACLE P(A)-S CONFIGURATION VERTICAL, P/F, B/L	MOLEX INCORPORATED DOCUMENT NO. SD-87925-012	SHEET NO. 1 OF 2	
	DRAFT WHERE APPLICABLE MUST REMAIN WITHIN DIMENSIONS	THIS DRAWING CONTAINS INFORMATION THAT IS PROPRIETARY TO MOLEX INCORPORATED AND SHOULD NOT BE USED WITHOUT WRITTEN PERMISSION							
	A1	REV							

9 8 7 6 5 4 3 2 1

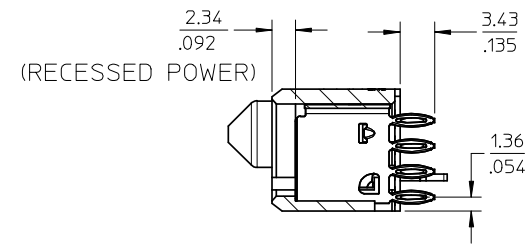
10	9	8	7	6	5	4	3	2	1
ASSEMBLY PART NUMBER	P-S CONFIGURATION		DIMENSION					RECESSED POWER CIRCUIT	PACKAGING
	POWER(ALPHA)	SIGNAL	DIM A	DIM B	DIM C	DIM D	DIM E		
87925-2000	10	24	83.82 3.300	76.20 3.000	74.93 2.950	48.26 1.900	12.70 .500	A1, A2, A3, A9, A10	TRAY



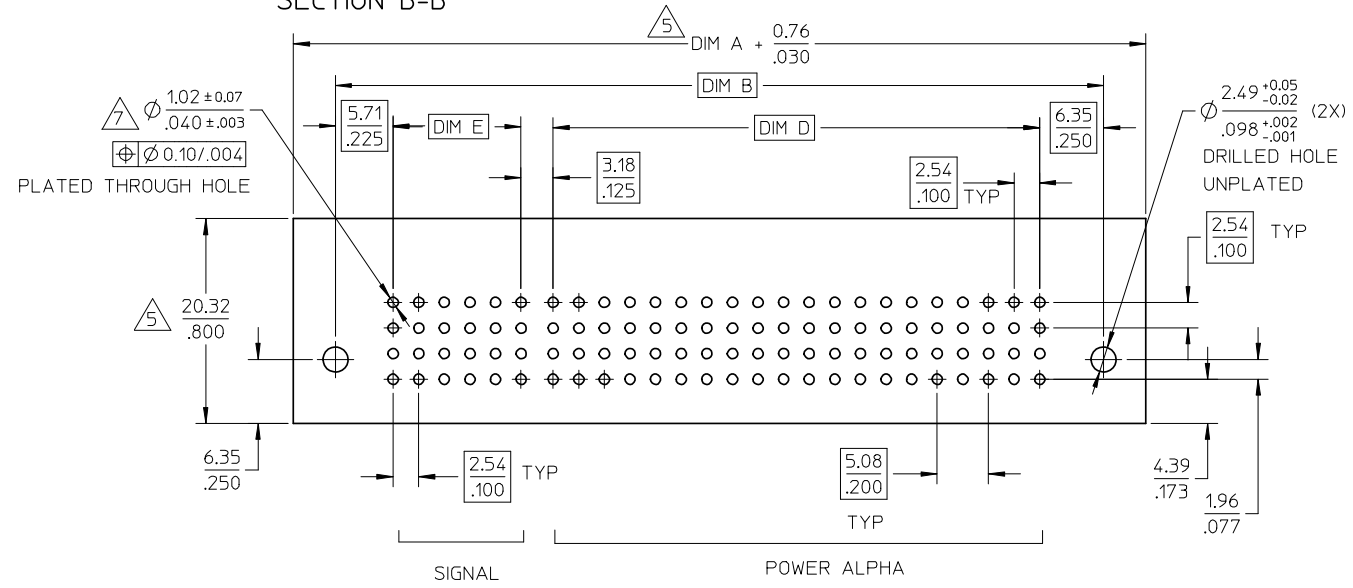
SECTION A-A



SECTION B-B



SECTION C-C



- NOTES
- MATERIALS :
 - HOUSING - LCP, GLASS FILLED, UL94-0,COLOR:BLACK.
 - SIGNAL PIN - COPPER ALLOY
 - POWER PIN - COPPER ALLOY
 - BOARDLOCK - COPPER ALLOY
 - FINISH :
 - SIGNAL & POWER CONTACTS
 - 0.76 MICROMETER MINIMUM GOLD (Au) AT CONTACT AREA AND 2.54 MICROMETER MINIMUM TIN AT SOLDER TAIL AREA OVER 1.27um MIN. NICKEL (Ni) UNDERPLATE.
 - PRODUCT SPECIFICATION: PS-87633-006.
 - SEE SHEET 2 FOR RECOMMENDED PCB LAYOUT AND THICKNESS.
 - COMPONENT STAY AWAY ZONE FROM CONNECTOR.
 - MANUFACTURER LOGO,PART NUMBER AND YEAR-WEEK CODE.
 - PCB NOTE FOR DIAMETER 1.02/.040 PLATED HOLE.
 - DRILLED HOLE SIZE IS 1.151/.0453
 - PLATE WITH 0.007/.0003 MINIMUM TIN OVER 0.03/.001 TO 0.08/.003 COPPER PLATING TO ACHIEVE 1.02±0.08/.040±.003 HOLE.
 - 10 POWER ALPHA - 24 SIGNAL IS SHOWN FOR ILLUSTRATION CONNECTOR CONFIGURATON IS AVAILABLE UP TO 203MM/INCH. PLEASE CONTACT MOLEX SALES PERSONNEL FOR OTHER CONFIGURATION AND OPTION NEEDED.

REVISED EC NO: S2008-1051 DRWN:SKANG CHKD:ATSEE APPR:MLONG 2008/05/20 2008/05/20 2008/05/20	QUALITY SYMBOLS	GENERAL TOLERANCES (UNLESS SPECIFIED)	DIMENSION STYLE	SCALE	DESIGN UNITS	THIRD ANGLE PROJECTION																				
	$\nabla=0$ $\square=0$	<table border="1"> <tr> <th></th> <th>mm</th> <th>INCH</th> </tr> <tr> <td>4 PLACES</td> <td>± ---</td> <td>± ---</td> </tr> <tr> <td>3 PLACES</td> <td>± ---</td> <td>± .01</td> </tr> <tr> <td>2 PLACES</td> <td>± 0.25</td> <td>± ---</td> </tr> <tr> <td>1 PLACE</td> <td>± ---</td> <td>± ---</td> </tr> </table>		mm	INCH	4 PLACES	± ---	± ---	3 PLACES	± ---	± .01	2 PLACES	± 0.25	± ---	1 PLACE	± ---	± ---	MM/IN	NTS	METRIC						
		mm	INCH																							
	4 PLACES	± ---	± ---																							
3 PLACES	± ---	± .01																								
2 PLACES	± 0.25	± ---																								
1 PLACE	± ---	± ---																								
DESCRIPTION	<table border="1"> <tr> <th>DRAWN BY</th> <th>DATE</th> <th>TITLE</th> </tr> <tr> <td>GMENARLY</td> <td>2007/02/14</td> <td>POWER CONN. RECEPTACLE P(A)-S CONFIGURATION VERTICAL, P/F, B/L</td> </tr> <tr> <th>CHECKED BY</th> <th>DATE</th> <th></th> </tr> <tr> <td>SKANG</td> <td>2007/03/08</td> <td></td> </tr> <tr> <th>APPROVED BY</th> <th>DATE</th> <th></th> </tr> <tr> <td>MLONG</td> <td>2007/03/08</td> <td></td> </tr> </table>	DRAWN BY	DATE	TITLE	GMENARLY	2007/02/14	POWER CONN. RECEPTACLE P(A)-S CONFIGURATION VERTICAL, P/F, B/L	CHECKED BY	DATE		SKANG	2007/03/08		APPROVED BY	DATE		MLONG	2007/03/08		<table border="1"> <tr> <th>MATERIAL NO.</th> <th>DOCUMENT NO.</th> <th>SHEET NO.</th> </tr> <tr> <td>SEE TABLE</td> <td>SD-87925-012</td> <td>2 OF 2</td> </tr> </table>	MATERIAL NO.	DOCUMENT NO.	SHEET NO.	SEE TABLE	SD-87925-012	2 OF 2
DRAWN BY	DATE	TITLE																								
GMENARLY	2007/02/14	POWER CONN. RECEPTACLE P(A)-S CONFIGURATION VERTICAL, P/F, B/L																								
CHECKED BY	DATE																									
SKANG	2007/03/08																									
APPROVED BY	DATE																									
MLONG	2007/03/08																									
MATERIAL NO.	DOCUMENT NO.	SHEET NO.																								
SEE TABLE	SD-87925-012	2 OF 2																								
A1	REV	DRAFT WHERE APPLICABLE MUST REMAIN WITHIN DIMENSIONS	SIZE A3	THIS DRAWING CONTAINS INFORMATION THAT IS PROPRIETARY TO MOLEX INCORPORATED AND SHOULD NOT BE USED WITHOUT WRITTEN PERMISSION																						