

PLEASE CHECK WWW.MOLEX.COM FOR LATEST PART INFORMATION

Part Number: **0873401685**
Status: **Active**
Description: 2.00mm (.079") Pitch Milli-Grid™ Receptacle, Surface Mount (Very Low Profile), Top Entry, without Locating Pegs, with Pick-and-Place Cap, 0.76µm (30µ") Gold (Au) Plating, 16 Circuits, Lead-free, Tube

Documents:

[3D Model](#) [Product Specification PS-87340 \(PDF\)](#)
[Drawing \(PDF\)](#) [RoHS Certificate of Compliance \(PDF\)](#)

General

Product Family	PCB Receptacles
Series	87340
Application	Board-to-Board
Product Literature Order No	987650-1991
Product Name	Milli-Grid™

Physical

Circuits (Loaded)	16
Color - Resin	Black
Durability (mating cycles max)	25
Glow-Wire Compliant	No
Lock to Mating Part	Yes
Material - Metal	Phosphor Bronze
Material - Plating Mating	Gold
Material - Plating Termination	Tin
Material - Resin	High Temperature Thermoplastic
Number of Rows	2
Orientation	Vertical
PCB Locator	No
PCB Retention	None
Packaging Type	Tube
Pitch - Mating Interface (in)	0.079 In
Pitch - Mating Interface (mm)	2.00 mm
Plating min: Mating (µin)	30
Plating min: Mating (µm)	0.76
Plating min: Termination (µin)	75
Plating min: Termination (µm)	1.90
Polarized to Mating Part	No
Polarized to PCB	No
Robotic Placement	Pick and Place Cap
Surface Mount Compatible (SMC)	N/A
Temperature Range - Operating	-55°C to +105°C
Termination Interface: Style	Surface Mount

Electrical

Current - Maximum per Contact	1A
Voltage - Maximum	125V

Solder Process Data

Duration at Max. Process Temperature (seconds)	14
Lead-free Process Capability	Reflow Capable (SMT only)
Max. Cycles at Max. Process Temperature	1
Process Temperature max. C	265

Material Info

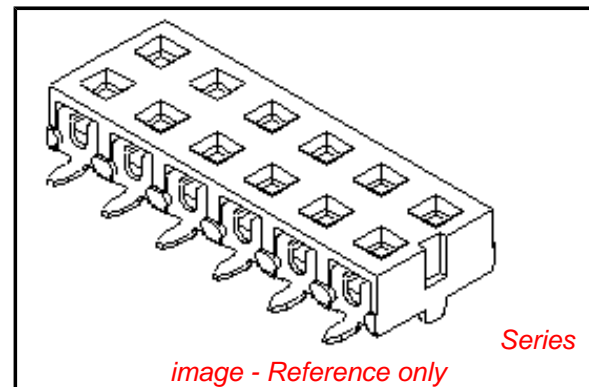


image - Reference only

EU RoHS

ELV and RoHS Compliant
REACH SVHC Contains SVHC: No
Halogen-Free Status

China RoHS



Not Reviewed

Need more information on product environmental compliance?

Email productcompliance@molex.com
 For a multiple part number RoHS Certificate of Compliance, [click here](#)

Please visit the [Contact Us](#) section for any non-product compliance questions.

Search Parts in this Series

87340Series

Mates With

87759 Vertical, Surface Mount, Stackable PCB Headers, 87760 Right Angle, Through Hole, Stackable PCB Headers, 87758 Vertical, Through Hole, Stackable PCB Headers

Reference - Drawing Numbers

Product Specification
Sales Drawing

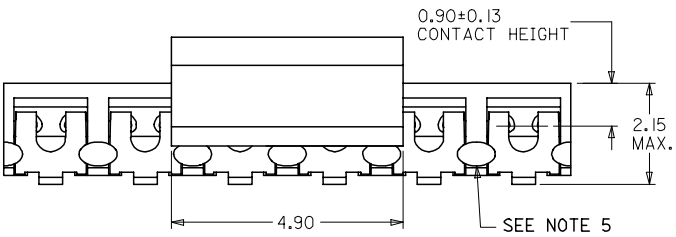
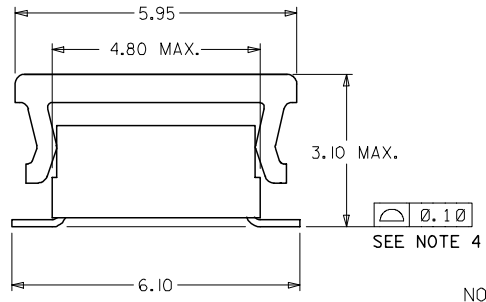
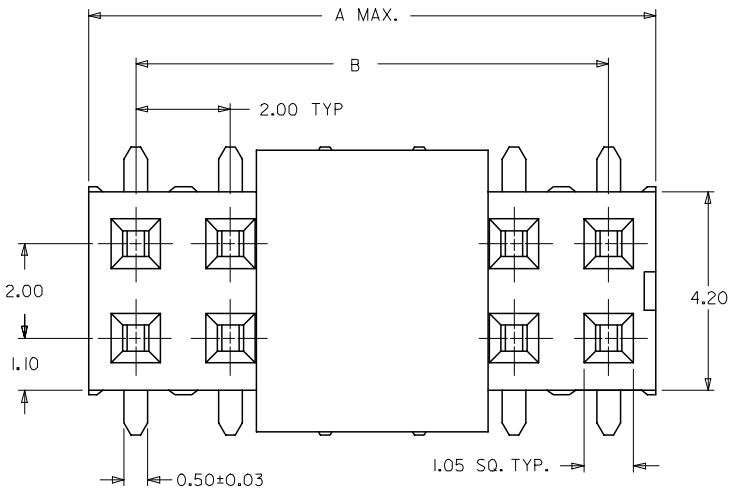
PS-87340
SD-87340-**74

This document was generated on 03/18/2010

PLEASE CHECK WWW.MOLEX.COM FOR LATEST PART INFORMATION

10 9 8 7 6 5 4 3 2 1

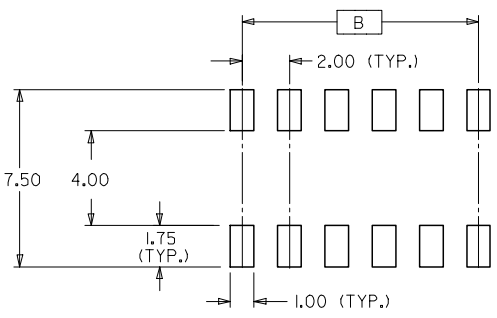
PART NUMBER (WITH CAP IN TUBE)	PART NUMBER (WITH CAP IN TAPE & REEL)	CKT. SIZE	DIM. A	DIM. B
87340-04*5	87340-04*6	04	4.00	2.00
87340-06*5	87340-06*6	06	6.00	4.00
87340-08*5	87340-08*6	08	8.00	6.00
87340-10*5	87340-10*6	10	10.00	8.00
87340-12*5	87340-12*6	12	12.00	10.00
87340-16*5	87340-16*6	16	16.00	14.00



PART NO. LEGEND

87340 - * * * *
 CKTS SIZE — * * * *
 PLATING OPTIONS (SEE NOTE 3) — * * * *
 PACKAGING OPTIONS — * * * *
 5 - PACKAGED IN TUBE.
 6 - PACKAGED IN TAPE & REEL.

- NOTES :
- FOR ILLUSTRATION PURPOSES, DRAWING SHOWS PART 12 CIRCUIT SIZE.
 - MATERIAL :
HOUSING :
LCP GLASS FILLED, UL 94V-0
SUITABLE FOR SURFACE-MOUNT SOLDERING PROCESS.
COLOR : BLACK
TERMINAL :
PHOSPHOR BRONZE ALLOY
 - PLATING FINISH:
- **7*
0.38um MIN GOLD AT TERMINAL CONTACT AREA.
1.90um MIN TIN IN SOLDER TAIL AREA BOTH OVER
1.27um MIN NICKEL OVERALL.
- **8*
0.76um MIN GOLD AT TERMINAL CONTACT AREA.
1.90um MIN TIN IN SOLDER TAIL AREA BOTH OVER
1.27um MIN NICKEL OVERALL.
 - COPLANARITY OF P.C TAIL TO BE MEASURED BY RESTING THE PART ON A FLAT GAGE SURFACE.
 - THIS AREA OF PART TO BE HEAT-STAKED TO RETAIN CONTACTS.
 - POSITION OF CAP TO BE LOCATED AT CENTRE OF DIMENSION 'A' REGARDLESS OF CIRCUIT SIZE.
 - PRODUCT SPECIFICATION PS-87340 APPLIES.
 - PART TO BE PACKED IN TUBE OR TAPE & REEL. SEE SHEET 2 FOR PACKAGING DETAILS.
 - CONTACT FACTORY FOR PARTS AVAILABILITY.

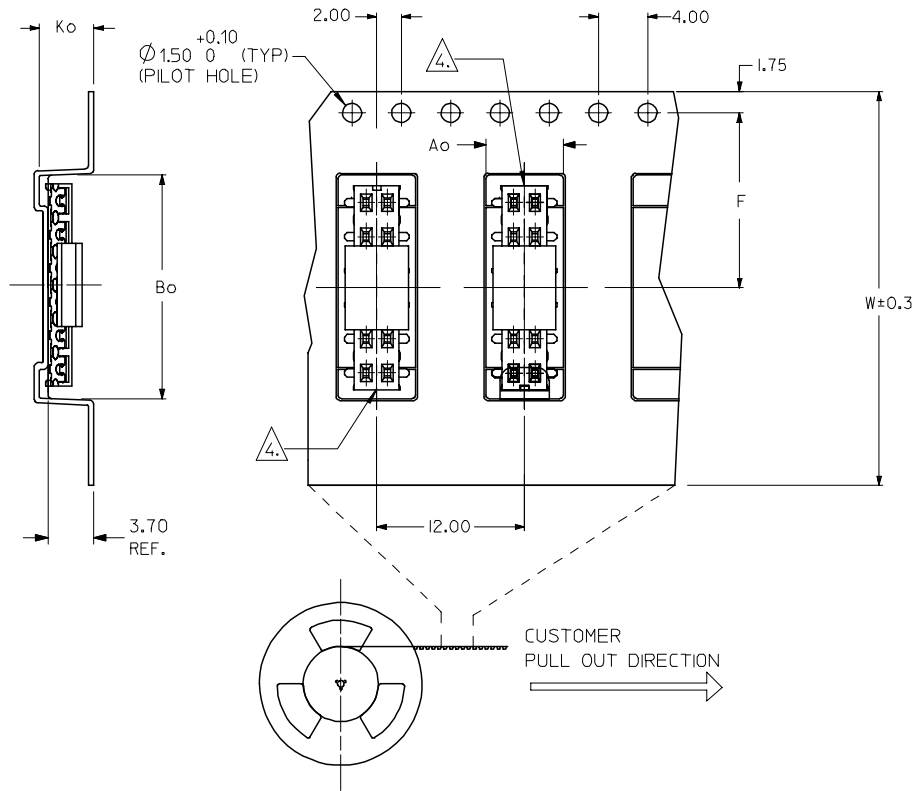


RECOMMENDED SOLDER PAD DESIGN (NTS)

PDR#S-001595-00-00 EC NO: S2007-1036 DRWNS:KANG CHKD:ATSEE APPR:MLONG	2007/06/13 2007/06/14 2007/06/14	QUALITY SYMBOLS ▽=0 ▽=0	GENERAL TOLERANCES (UNLESS SPECIFIED)		DIMENSION STYLE MM ONLY		SCALE NTS	DESIGN UNITS METRIC	THIRD ANGLE PROJECTION		
					DRAWN BY PTL IM		DATE 1996/04/03		TITLE		MGRID, VLPR II TOP ENTRY RECEPTACLE W/O LOC PEGS, SMT
					CHECKED BY		DATE		APPROVED BY		
					1 PLACE ± --- ± ---		SKTOH		DATE		RWONG 1996/04/19
		ANGULAR ± 3 °		MATERIAL NO.		DOCUMENT NO.		SHEET NO.			
DRAFT WHERE APPLICABLE MUST REMAIN WITHIN DIMENSIONS		SIZE A3		SEE TABLE		SD-87340-**74		1 OF 2			

9 8 7 6 5 4 3 2 1

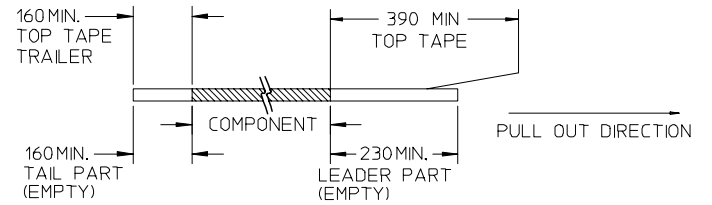
EMBOSSED CARRIER TAPE WITH DIMENSIONS
(12 CKT IS SHOWN FOR ILLUSTRATION ONLY)



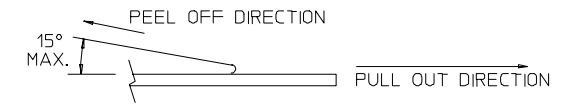
PART NO (WITH CAP IN TAPE & REEL)	CKT SIZE	Ao	Bo	F	W	Ko
87340-0476	04	6.70	5.30	11.50	24.00	5.30
87340-0676	06	6.70	6.40	11.50	24.00	5.30
87340-0686	06	6.70	6.40	11.50	24.00	5.30
87340-0876	08	6.70	8.50	11.50	24.00	5.30
87340-1076	10	6.70	10.40	11.50	24.00	5.30
87340-1276	12	6.70	12.40	11.50	24.00	5.30
87340-1686	16	6.70	16.30	11.50	24.00	5.30

NOTES:

1. LEADER AND TRAILER TAPE



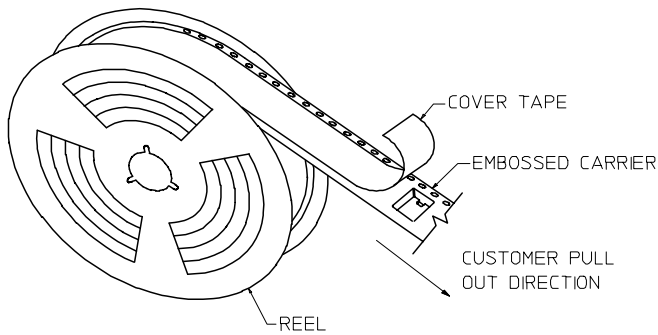
2. PEELING OFF FORCE OF THE TOP TAPE: 20-80gf.
(PEELING DIRECTION AS SHOWN IN FOLLOWING FIGURE)



3. PACKAGING STANDARD IS AS PER EIA-481.

4. TAPE & REEL QUANTITY = 1000 PCS/REEL

5. NO FIX ORIENTATION OF ASSEMBLY PART IN T&R.



TAPE AND REEL ASSEMBLY SHOWN IS FOR ILLUSTRATION ONLY

PDR#S-001595-00-00	2007/06/13
EC NO: S2007-1036	2007/06/14
DRWN:SKANG	2007/06/14
CHKD:ATSEE	2007/06/14
APPR:MLONG	2007/06/14

QUALITY SYMBOLS	DESCRIPTION
▽=0	
▽C=0	

GENERAL TOLERANCES (UNLESS SPECIFIED)	
	MM ONLY
4 PLACES	± ---
3 PLACES	± ---
2 PLACES	± 0.20
1 PLACE	± ---
ANGULAR ± 3 °	

DIMENSION STYLE	
MM ONLY	
DRAWN BY	DATE
PTL IM	1996/04/03
CHECKED BY	DATE
SKTOH	1996/04/08
APPROVED BY	DATE
RWONG	1996/04/19

SCALE	DESIGN UNITS	THIRD ANGLE PROJECTION
NTS	METRIC	
MGRID, VLPR II TOP ENTRY RECEPTACLE W/O LOC PEGS, SMT		
MOLEX INCORPORATED		
MATERIAL NO.	DOCUMENT NO.	SHEET NO.
SEE TABLE	SD-87340-**74	2 OF 2