

**PLEASE CHECK WWW.MOLEX.COM FOR LATEST PART INFORMATION**

**Part Number:** [0873400896](#)  
**Status:** **Active**  
**Description:** 2.00mm (.079") Pitch Milli-Grid™ Receptacle, Surface Mount (Very Low Profile), Top Entry, with Locating Pegs, with Pick-and-Place Cap, 0.38µm (15µ") Gold (Au) Plating, 8 Circuits, Lead-free, Embossed Tape on Reel

**Documents:**

[3D Model](#) [RoHS Certificate of Compliance \(PDF\)](#)  
[Drawing \(PDF\)](#)

**Agency Certification**

CSA LR19980  
 UL E29179

**General**

Product Family PCB Receptacles  
 Series [87340](#)  
 Application Board-to-Board  
 Comments <LI>With Cap  
 Product Literature Order No 987650-1991  
 Product Name Milli-Grid™

**Physical**

Circuits (Loaded) 8  
 Durability (mating cycles max) 25  
 Flammability 94V-0  
 Glow-Wire Compliant No  
 Lock to Mating Part Yes  
 Material - Metal Phosphor Bronze  
 Material - Plating Mating Gold  
 Material - Plating Termination Tin  
 Number of Rows 2  
 Orientation Vertical  
 PCB Locator Yes  
 PCB Retention None  
 PCB Thickness Recommended (mm) 0.80 mm  
 Packaging Type Embossed Tape on Reel  
 Pitch - Mating Interface (in) 0.079 In  
 Pitch - Mating Interface (mm) 2.00 mm  
 Plating min: Mating (µin) 15  
 Plating min: Mating (µm) 0.38  
 Polarized to Mating Part No  
 Polarized to PCB No  
 Surface Mount Compatible (SMC) N/A  
 Temperature Range - Operating -55°C to +105°C  
 Termination Interface: Style Surface Mount

**Electrical**

Current - Maximum per Contact 1A  
 Voltage - Maximum 125V

**Material Info**

**Reference - Drawing Numbers**

Sales Drawing SD-87340-\*\*92

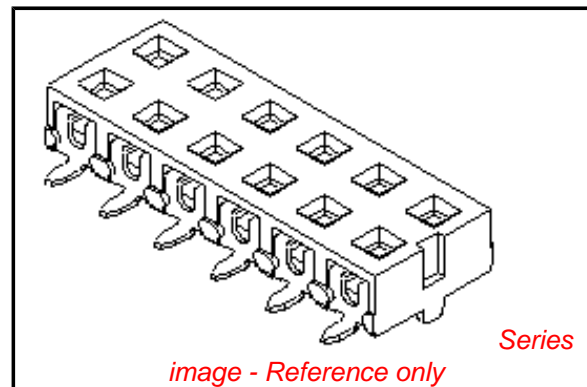


image - Reference only

**EU RoHS**

**ELV and RoHS Compliant**  
**REACH SVHC**  
 Not Reviewed  
**Halogen-Free Status**  
**Not Reviewed**

**China RoHS**



**Need more information on product environmental compliance?**

Email [productcompliance@molex.com](mailto:productcompliance@molex.com)  
 For a multiple part number RoHS Certificate of Compliance, [click here](#)

Please visit the [Contact Us](#) section for any non-product compliance questions.

**Search Parts in this Series**

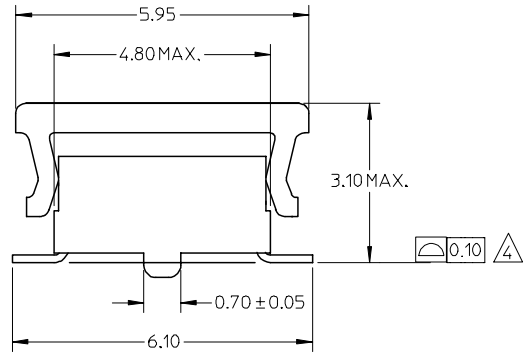
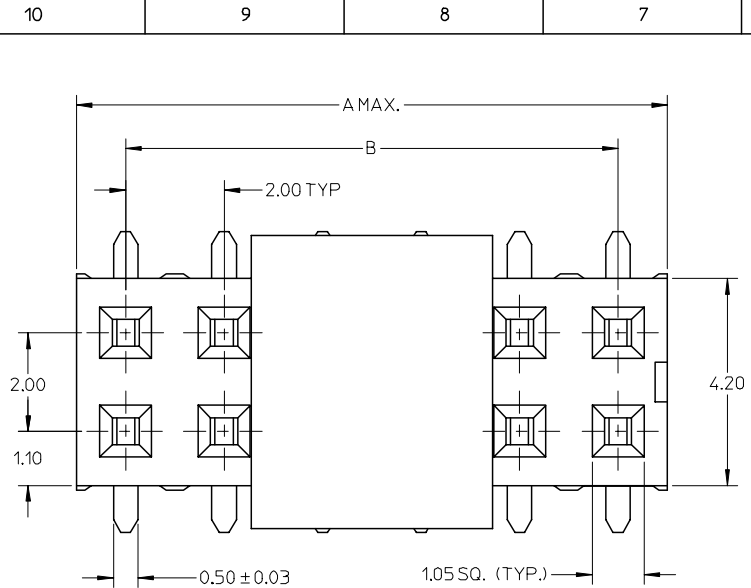
[87340Series](#)

**Mates With**

[87759](#) Vertical, Surface Mount, Stackable PCB Headers, [87760](#) Right Angle, Through Hole, Stackable PCB Headers, [87758](#) Vertical, Through Hole, Stackable PCB Headers

This document was generated on 04/08/2010

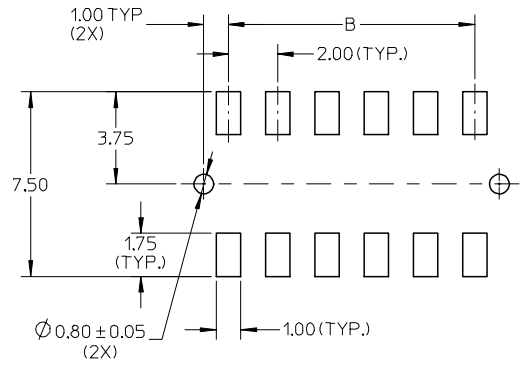
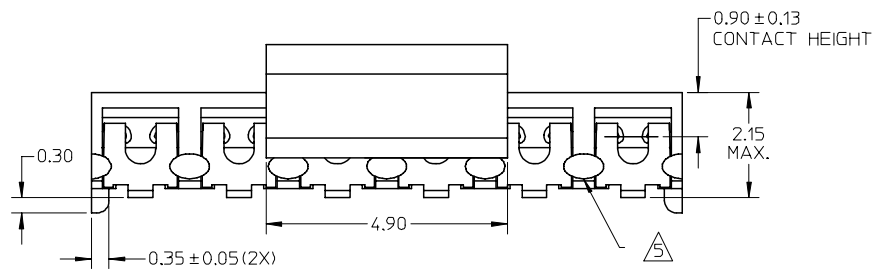
**PLEASE CHECK [WWW.MOLEX.COM](http://WWW.MOLEX.COM) FOR LATEST PART INFORMATION**



PART NUMBER W/CAP IN TUBE	CKT. SIZE	DIM. A	DIM. B
87340-0495	4	4.00	2.00
87340-0695	6	6.00	4.00
87340-0895	8	8.00	6.00
87340-1095	10	10.00	8.00
87340-1295	12	12.00	10.00
87340-1495	14	14.00	12.00
87340-1695	16	16.00	14.00
87340-1895	18	18.00	16.00
87340-2095	20	20.00	18.00

**NOTES:**

- FOR ILLUSTRATION PURPOSES, DRAWING SHOWS PART WITH 12 CIRCUIT SIZE.
- MATERIAL:  
HOUSING: LCP GLASS FILLED, UL 94V-0  
SUITABLE FOR SURFACE-MOUNT SOLDERING PROCESS.  
COLOR BLACK  
TERMINAL: PHOSPHOR BRONZE ALLOY.
- PLATING- 0.38µM MINIMUM GOLD PLATE AT CONTACT AREA, AND 1.90µM MINIMUM TIN PLATE AT P.C TAIL AREA, BOTH OVER 1.27µM MINIMUM NICKEL OVERALL.
- COPLANARITY OF P.C TAIL TO BE MEASURED BY RESTING THE PART ON A FLAT GAGE SURFACE.
- THIS AREA OF PART TO BE HEAT-STAKED TO RETAIN CONTACTS.
- POSITION OF CAP TO BE LOCATED AT CENTER OF DIMENSION 'A' REGARDLESS OF CIRCUIT SIZE.
- PRODUCT SPECIFICATION PS-87340 APPLIES.
- PART TO BE PACKAGED IN TAPE-&-REEL. SEE SHEET 2 FOR PACKAGING DETAILS.
- CONTACT FACTORY FOR PARTS AVAILABILITY.



RECOMMENDED SOLDER PAD DESIGN

ADD P/N	EC NO:	DRWNS:KANG	CHKD:MJLNG	APPR:SKTOH
D1	S2006-1037	2006/04/11	2006/04/12	2006/04/12

QUALITY SYMBOLS	DESCRIPTION
▽=0	
▽=0	

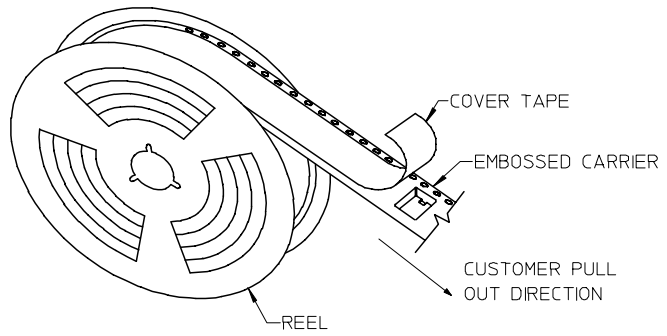
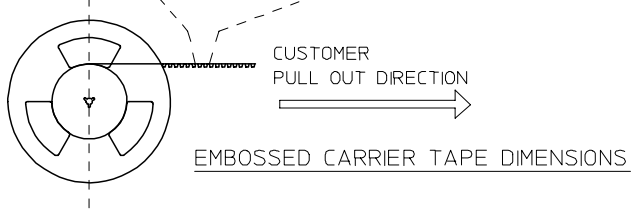
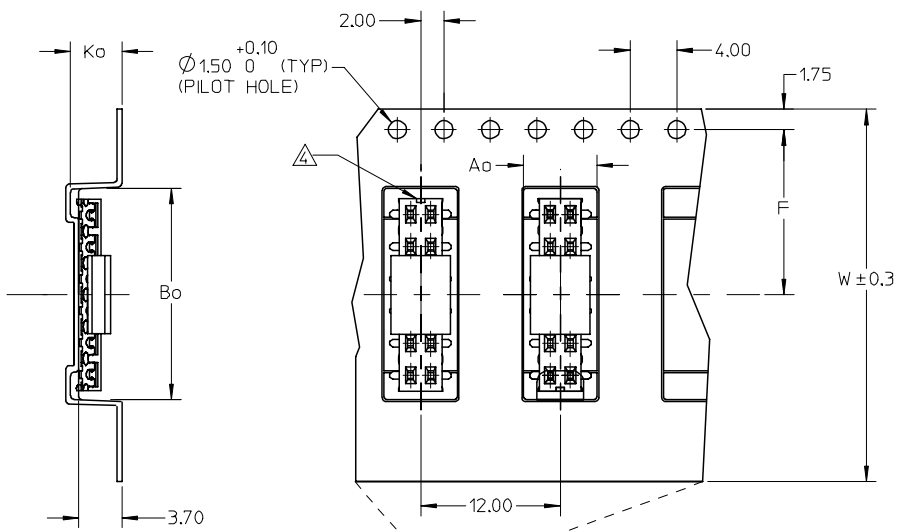
GENERAL TOLERANCES (UNLESS SPECIFIED)	DIMENSION STYLE MM ONLY	
	mm	INCH
4 PLACES	± ---	± ---
3 PLACES	± ---	± ---
2 PLACES	± 0.20	± ---
1 PLACE	± ---	± ---
ANGULAR ± 3 °		
DRAFT WHERE APPLICABLE MUST REMAIN WITHIN DIMENSIONS		

DRAWN BY	DATE	TITLE
JWAN	1995/01/25	MGRID, VLPR II
CHECKED BY	DATE	TOP ENTRY RECEPT., SMT
SKTOH	1995/01/25	W/CAP FOR PICK-&-PLACE
APPROVED BY	DATE	
RWONG	1995/01/25	
MATERIAL NO.	DOCUMENT NO.	SHEET NO.
SEE TABLE	SD-87340-**92	1 OF 2

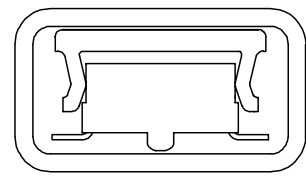
SCALE	DESIGN UNITS	THIRD ANGLE PROJECTION
NTS	METRIC	
MOLEX INCORPORATED		
THIS DRAWING CONTAINS INFORMATION THAT IS PROPRIETARY TO MOLEX INCORPORATED AND SHOULD NOT BE USED WITHOUT WRITTEN PERMISSION		

10 9 8 7 6 5 4 3 2 1

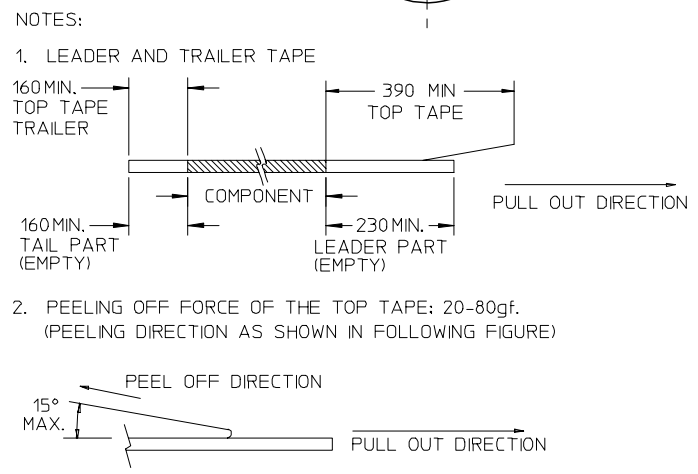
PART NO. W/CAP IN TAPE/REEL	CKT. SIZE	Ao	Bo	F	W	Ko
87340-0496	4	6.70	5.30	11.50	24.00	5.30
87340-0696	6	6.50	6.50	7.50	16.00	4.50
87340-0896	8	6.70	8.40	11.50	24.00	5.30
87340-1096	10	6.70	10.40	11.50	24.00	5.30
87340-1296	12	6.60	12.40	11.50	24.00	4.40
87340-1496	14	6.60	14.30	11.50	24.00	4.40
87340-1696	16	6.60	16.30	11.50	24.00	4.40
87340-2096	20	6.70	20.50	20.20	44.00	5.30



TAPE AND REEL ASSEMBLY SHOWN IS FOR ILLUSTRATION ONLY.



PART IN TUBE VIEW



- PACKAGING STANDARD IS AS PER EIA-481.
- TAPE & REEL QUANTITY = 1000 PCS/REEL
- NO FIX ORIENTATION OF ASSEMBLY PART IN T&R.

ADD P/N EC NO: S2006-1037 DRWNS:KANG CHKD:M.LONG APPR:SKTOH 2006/04/11 2006/04/12 2006/04/12	QUALITY SYMBOLS ▽=0 ▽=0	GENERAL TOLERANCES (UNLESS SPECIFIED) <table border="1"> <thead> <tr> <th></th> <th>mm</th> <th>INCH</th> </tr> </thead> <tbody> <tr> <td>4 PLACES</td> <td>± ---</td> <td>± ---</td> </tr> <tr> <td>3 PLACES</td> <td>± ---</td> <td>± ---</td> </tr> <tr> <td>2 PLACES</td> <td>± 0.20</td> <td>± ---</td> </tr> <tr> <td>1 PLACE</td> <td>± ---</td> <td>± ---</td> </tr> </tbody> </table>		mm	INCH	4 PLACES	± ---	± ---	3 PLACES	± ---	± ---	2 PLACES	± 0.20	± ---	1 PLACE	± ---	± ---	DIMENSION STYLE MM ONLY	SCALE NTS	DESIGN UNITS METRIC	THIRD ANGLE PROJECTION
		mm	INCH																		
	4 PLACES	± ---	± ---																		
	3 PLACES	± ---	± ---																		
2 PLACES	± 0.20	± ---																			
1 PLACE	± ---	± ---																			
DRAWN BY JWAN 1995/01/25	DATE 1995/01/25	TITLE MGRID, VLPR II TOP ENTRY RECEPT., SMT W/CAP FOR PICK-&-PLACE	MOLEX INCORPORATED																		
CHECKED BY SKTOH 1995/01/25	DATE 1995/01/25	APPROVED BY RWONG 1995/01/25																			
MATERIAL NO. SEE TABLE	DOCUMENT NO. SD-87340-**92	SHEET NO. 2 OF 2	THIS DRAWING CONTAINS INFORMATION THAT IS PROPRIETARY TO MOLEX INCORPORATED AND SHOULD NOT BE USED WITHOUT WRITTEN PERMISSION																		

9 8 7 6 5 4 3 2 1