

PLEASE CHECK WWW.MOLEX.COM FOR LATEST PART INFORMATION

Part Number: [0565790576](#)
Status: **Active**
Description: USB On-The-Go (OTG) Mini-AB Receptacle, Right Angle, SMT Solder Tails and Shell Tabs, with Cover Tape, Lead-Free

Documents:

[3D Model](#) [Product Specification PS-56579-015 \(PDF\)](#)
[Drawing \(PDF\)](#) [RoHS Certificate of Compliance \(PDF\)](#)

General

Product Family	I/O Connectors
Series	56579
Application	Wire-to-Board
Component Type	Receptacle
Product Name	USB, USB OTG (On-The-Go)
Type	Mini-AB (OTG)

Physical

Boot Color	N/A
Circuits (Loaded)	5
Circuits (maximum)	5
Color - Resin	Gray
Gender	Receptacle
Lock to Mating Part	Yes
Material - Metal	High Performance Alloy (HPA), Phosphor Bronze
Material - Plating Mating	Gold
Material - Plating Termination	Tin
Material - Resin	High Temperature Thermoplastic
Number of Rows	1
Orientation	Right Angle
PCB Locator	No
PCB Retention	Yes
PCB Thickness Recommended (in)	0.031 In
PCB Thickness Recommended (mm)	0.80 mm
Packaging Type	Embossed Tape on Reel
Panel Mount	No
Pitch - Mating Interface (in)	0.031 In
Pitch - Mating Interface (mm)	0.80 mm
Pitch - Term. Interface (in)	0.031 In
Pitch - Term. Interface (mm)	0.80 mm
Plating min: Mating (µin)	30.4
Plating min: Mating (µm)	0.76
Plating min: Termination (µin)	40
Plating min: Termination (µm)	1
Polarized to Mating Part	Yes
Polarized to PCB	Yes
Ports	1
Surface Mount Compatible (SMC)	Yes
Temperature Range - Operating	-40°C to +85°C
Termination Interface: Style	Surface Mount
Waterproof / Dustproof	No
Wire Size AWG	N/A

Electrical

Current - Maximum per Contact	1A
Shield Type	Full Shield

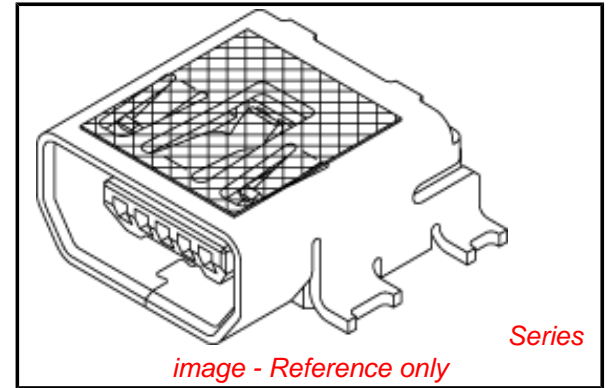


image - Reference only

EU RoHS

**ELV and RoHS
Compliant**
REACH SVHC
 Not Reviewed
**Halogen-Free
Status**

China RoHS



Not Reviewed

**Need more information on product
environmental compliance?**

Email productcompliance@molex.com
 For a multiple part number RoHS Certificate of Compliance, [click here](#)

Please visit the [Contact Us](#) section for any non-product compliance questions.

Search Parts in this Series

56579Series

Mates With

USB OTG mini-A plug|USB OTG mini-B plug

Shielded
Voltage - Maximum

Yes
30V AC (RMS)/DC

Material Info

Reference - Drawing Numbers

Product Specification

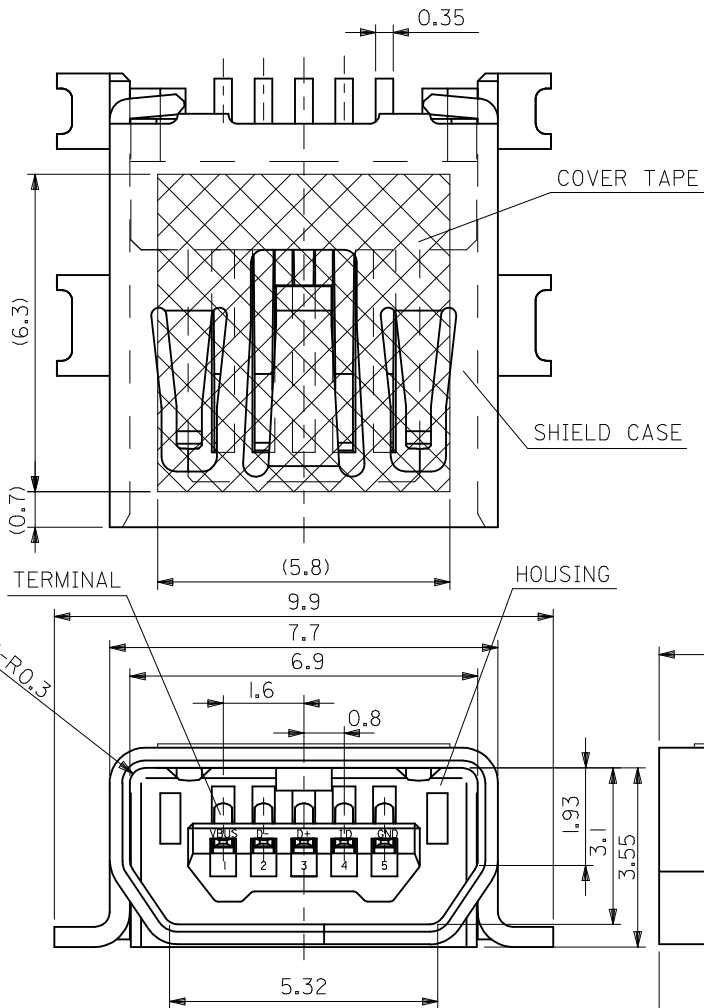
PS-56579-015, RPS-56579-003, RPS-56579-004,
RPS-56579-006, RPS-56579-007, RPS-56579-009,
RPS-56579-010

Sales Drawing

SD-56579-015, SD-56579-016

This document was generated on 04/07/2010

PLEASE CHECK WWW.MOLEX.COM FOR LATEST PART INFORMATION



注記 1. 材質
NOTES MATERIAL

ハウジング: PA, ガラス充填, 灰色, UL94V-0
HOUSING: PA, GLASS FILLED, GRAY, UL94V-0
ターミナル: 銅合金 (t=0.2)
TERMINAL: COPPER ALLOY (t=0.2)
シールドケース: 銅合金 (t=0.4)
SHIELD CASE: COPPER ALLOY (t=0.4)
カバーテープ: ポリイミド (t=0.08)
COVER TAPE: POLYIMIDE (t=0.08)

2. ヌッキ仕様

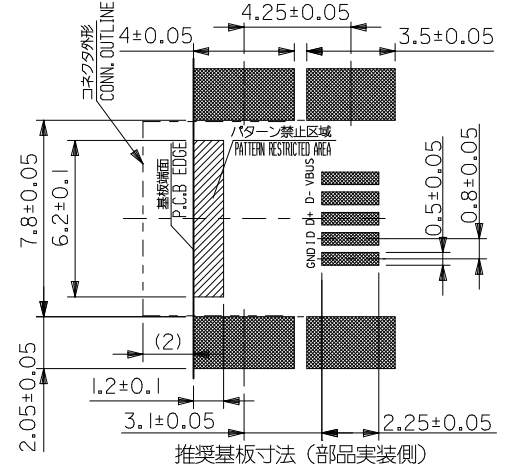
PLATING
ターミナル
TERMINAL
接点部: 金メッキ 0.76MICRO METER MIN.
CONTACT AREA: GOLD 0.76MICRO METER MINIMUM.
半田付け部: 錫メッキ 1.0MICRO METER MIN.
SOLDER TAIL AREA: TIN 1.0MICRO METER MINIMUM.
下地部: ニッケルメッキ 4.0MICRO METER MIN.
UNDER PLATING: NICKEL 4.0MICRO METER MINIMUM.
シールドケース
SHIELD CASE
: 錫メッキ 1.0MICRO METER MIN.
: TIN 1.0 MICRO METER MINIMUM.
下地部: ニッケルメッキ 4.0MICRO METER MIN.
UNDER PLATING: NICKEL 4.0 MICRO METER MINIMUM.

3. テール、ネール平坦度は0.1mm MAX.

TAIL, NAIL COPLANARITY 0.1mm MAX.

4. 本製品は56579-0571の鉛フリー品である。

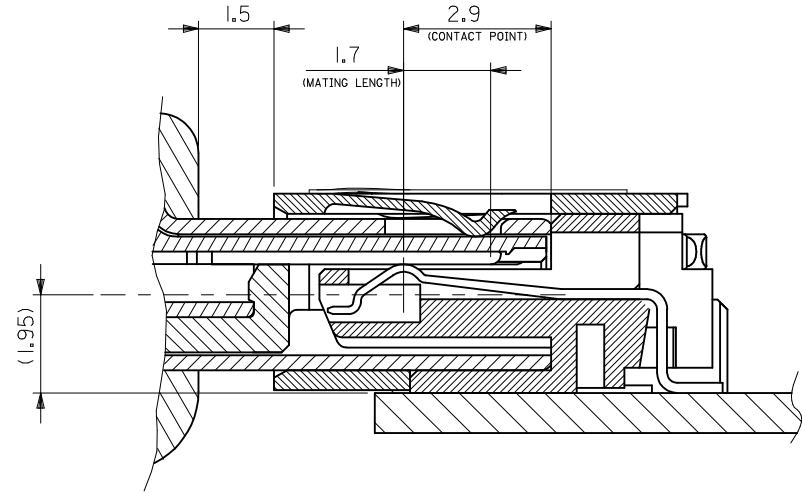
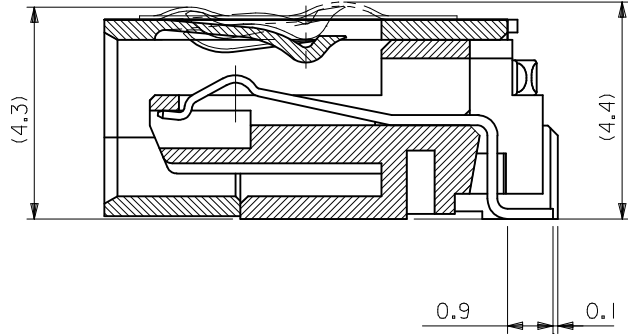
THIS PRODUCT IS LEAD FREE OF 56579-0571.



推奨基板寸法 (部品実装側)
RECOMMENDED P.C.B. PATTERN LAYOUT (PART MOUNT SIDE)

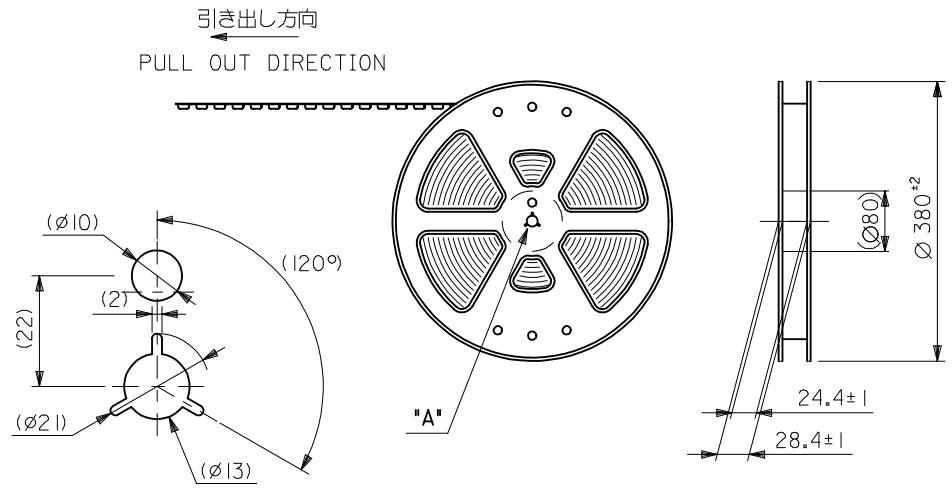
56579-0576	56579-0579
EMBOSSD TAPE	MATERIAL No.
ORDER No.	
MODEL No.56579-**79	

REVISED EC NO: J2009-1533 DRW: NESATO 2009/06/25 CHKD: MATSUMOTO 2009/06/25 APPR: NUKITA 2009/06/25 REV A	DESCRIPTION GENERAL TOLERANCES (UNLESS SPECIFIED) 10 UNDER ±0.2 10 OVER 30 UNDER ±0.25 30 OVER ±0.3 ANGULAR ±3 ° DRAFT WHERE APPLICABLE MUST REMAIN WITHIN DIMENSIONS	DIMENSION STYLE MM ONLY	SCALE 10:1	DESIGN UNITS METRIC	THIRD ANGLE PROJECTION		
		DRAWN BY M. NAGATA	DATE 2004/05/17	TITLE USB SERIES MINI-AB RECH.S'G ASS'Y(SMT) -LEAD FREE-			
		CHECKED BY K. TOJO	DATE 2004/05/17	MOLEX INCORPORATED			
		APPROVED BY M. SASAO	DATE 2004/05/17	MATERIAL NO. SEE TABLE	DOCUMENT NO. SD-56579-015	SHEET NO. 1 OF 2	
		THIS DRAWING CONTAINS INFORMATION THAT IS PROPRIETARY TO MOLEX INCORPORATED AND SHOULD NOT BE USED WITHOUT WRITTEN PERMISSION					

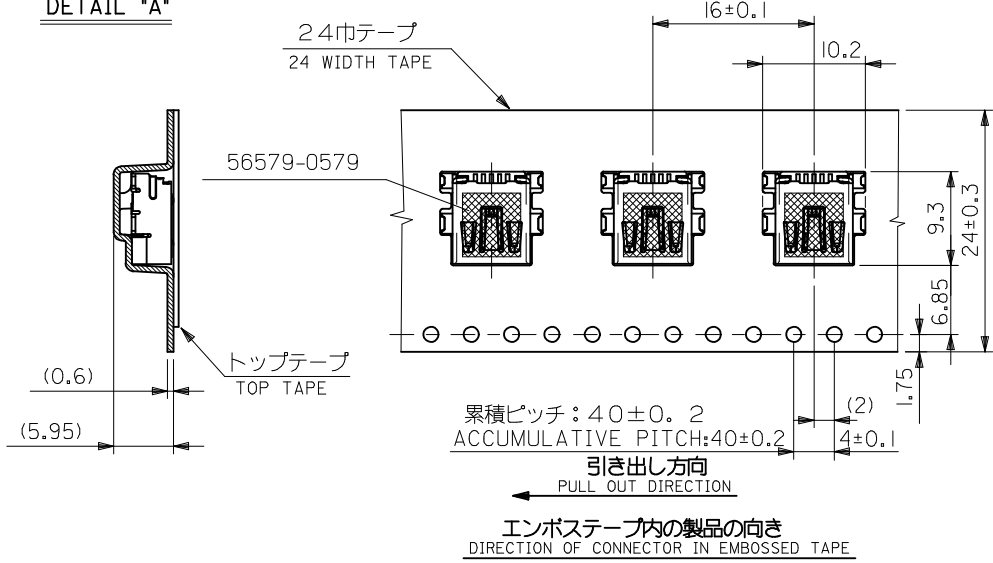


MODEL No.56579-**79

REVISED EC NO.: J2009-1533 DRW: NESATO 2009/06/25 CHK'D: MATSUMOTO 2009/06/25 APPR: NUKITA 2009/06/25 A	GENERAL TOLERANCES (UNLESS SPECIFIED)		DIMENSION STYLE MM ONLY	SCALE 10:1	DESIGN UNITS METRIC	THIRD ANGLE PROJECTION	
	10 UNDER	±0.2	DRAWN BY M. NAGATA	DATE 2004/05/17	TITLE USB SERIES MINI-AB REC.HS'G ASS'Y(SMT) -LEAD FREE-		
	10 OVER 30 UNDER	±0.25	CHECKED BY K. TOJO	DATE 2004/05/17	MOLEX INCORPORATED		
	30 OVER	±0.3	APPROVED BY M. SASAO	DATE 2004/05/17	MATERIAL NO. SEE SHEET1	DOCUMENT NO. SD-56579-015	SHEET NO. 2 OF 2
	ANGULAR ±3 °	THIS DRAWING CONTAINS INFORMATION THAT IS PROPRIETARY TO MOLEX INCORPORATED AND SHOULD NOT BE USED WITHOUT WRITTEN PERMISSION					
	DRAFT WHERE APPLICABLE MUST REMAIN WITHIN DIMENSIONS						

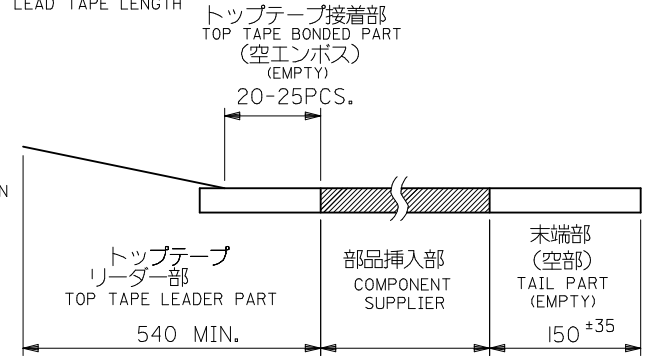


DETAIL "A"

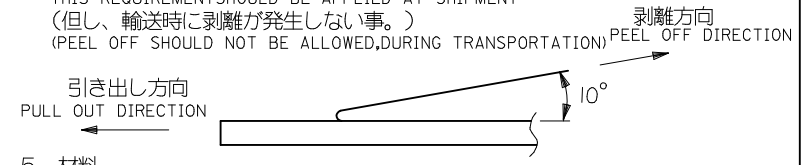


NOTES

- 56579-0579の詳細はSD-56579-015参照
IN THE PACKAGE PART NO.56579-0579 DETAILED, SEE SD-56579-015.
- 梱包数量: 800 個/リール
NUMBER OF CONNECTORS: 800 PCS/REEL
- リードテープ長さ
LEAD TAPE LENGTH



- トップテープの剥離強度: 0.1 ~ 1.3N(10 ~ 130gf)
(剥離方向は下図参照) キャリアテープ幅: 24mm
PEEL-OFF FORCE OF TOP TAPE: 0.1 ~ 1.3N(10 ~ 130gf)
(PEELING DIRECTION AS SHOWN IN FOLLOWING FIG.)
尚、本規格値は、出荷時に適用。
THIS REQUIREMENTS SHOULD BE APPLIED AT SHIPMENT
(但し、輸送時に剥離が発生しない事。)
(PEEL OFF SHOULD NOT BE ALLOWED, DURING TRANSPORTATION)



- 材料
MATERIAL
キャリアテープ: ポリプロピレン POLYSTYRENE(PS)
CARRIER TAPE: POLYPROPYLENE
トップテープ: ポリエステル, ポリエチレン
TOP TAPE: POLYESTER, POLYETHYLENE
リール: ポリスチレン <リサイクル材を含む>
REEL: POLYSTYRENE <RECYCLE MATERIAL CONTAINED>
- 本製品は56579-0578の鉛フリー品である。
THIS PRODUCT IS LEAD FREE OF 56579-0578.

56579-0576
MATERIAL No.

MODEL No.56579-0576

REVISED EC NO: J2009-1142 DRWN:MTAKAZONO 2008/11/14 CHKD:HMATSUMOTO 2008/11/14 APPR:NUKITA 2008/11/14 REV	GENERAL TOLERANCES (UNLESS SPECIFIED)		DIMENSION STYLE MM ONLY	SCALE 2:1	DESIGN UNITS METRIC	THIRD ANGLE PROJECTION
	10 UNDER	±0.2	DRAWN BY MNAGATA	DATE 2004/05/17	TITLE USB SERIES MINI-AB (SMT)EMBOSSED ASS'Y -LEAD FREE-	
	10 OVER 30 UNDER	±0.25	CHECKED BY KTOJO	DATE 2004/05/17	MOLEX INCORPORATED	
	30 OVER	±0.3	APPROVED BY MSASAO	DATE 2004/05/17	DOCUMENT NO. SD-56579-016	SHEET NO. 1 OF 1
A	ANGULAR ±3 °	DRAFT WHERE APPLICABLE MUST REMAIN WITHIN DIMENSIONS	MATERIAL NO. SEE TABLE	THIS DRAWING CONTAINS INFORMATION THAT IS PROPRIETARY TO MOLEX INCORPORATED AND SHOULD NOT BE USED WITHOUT WRITTEN PERMISSION		